

THE CONTENTS OF THIS DRAWING WILL REMAIN THE PROPERTY OF THOMAS F. TEDROW, AIA. ITS CONTENTS, INCLUDING ALL INFORMATION SHALL NOT BE REPRODUCED USING ANY MEANS WITHOUT EXPRESSED WRITTEN CONSENT AND/OR PERMISSION FROM THOMAS F. TEDROW, AIA.



THOMAS F. TEDROW, AIA
 ARCHITECT
 2866 ADAMS BROOK WAY
 SNELLVILLE, GA 30078
 PH. 678.777.5548
 E-MAIL: tom.tedrow@tedrowdesign.com

JERSEY MIKE'S
 THE PALLADIUM SHOPPING CENTER
 4117 BRIAN JORDAN PLACE
 HIGH POINT, NC 27265



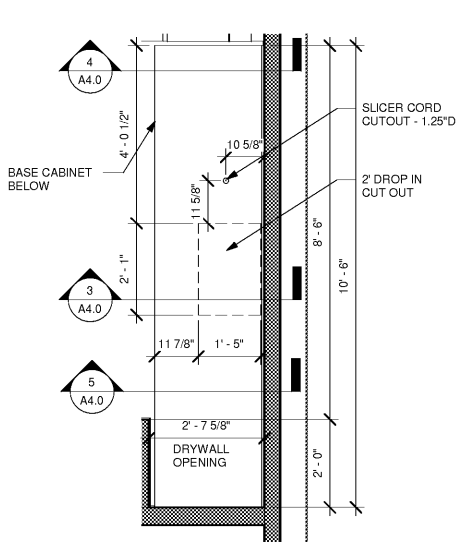
ARCHITECT/ENGINEER STAMP

REV. NO.	DATE	DESCRIPTION

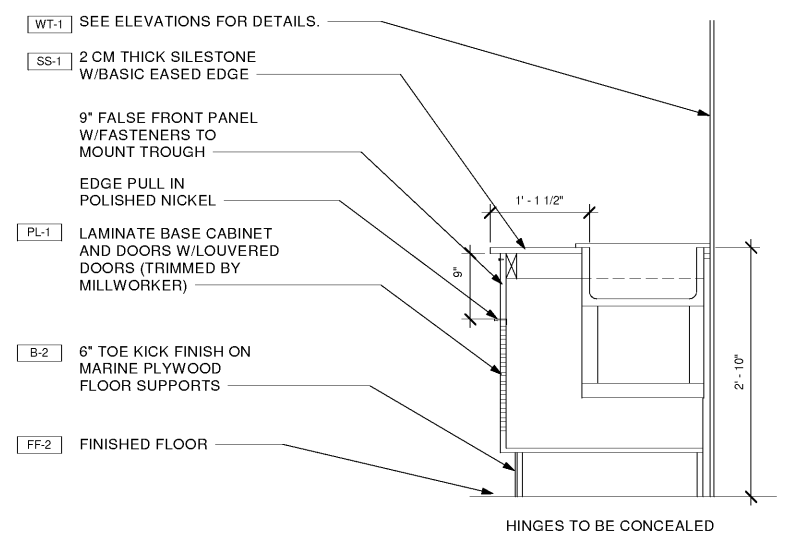
PROJECT NO. JMMC-200
 DRAWN BY: KRR
 CHECKED BY: TFT
 ISSUE DATE: 11/06/19

MILLWORK DETAILS

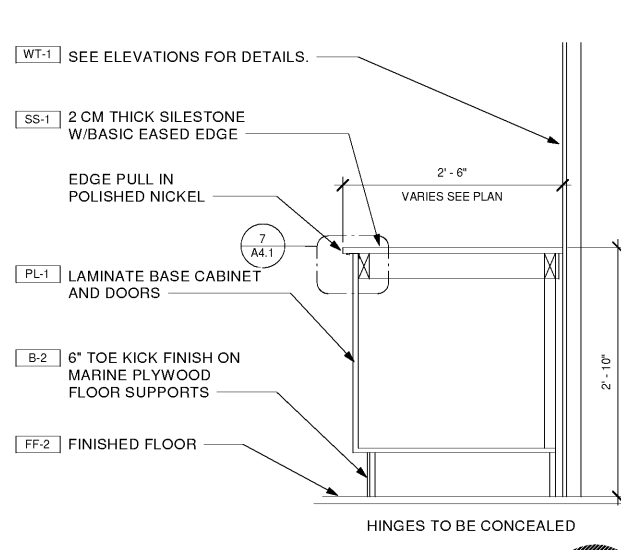
A4.0



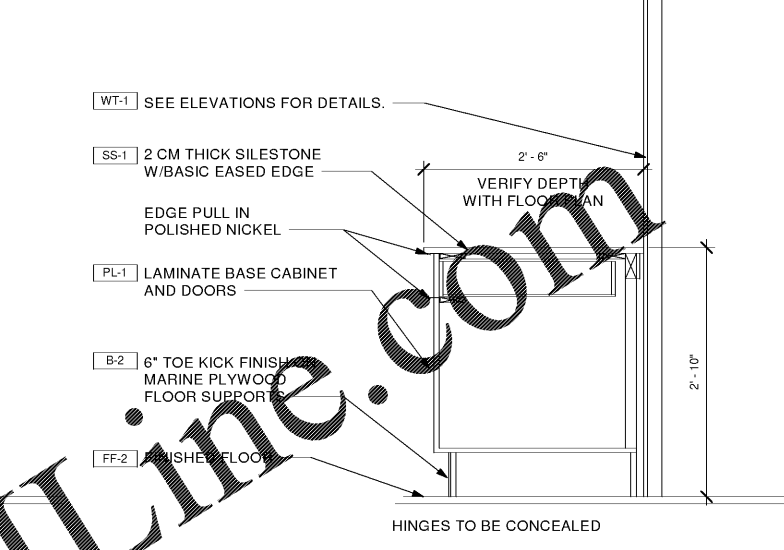
1 ENLARGED PLAN - MILLWORK BACK COUNTER
 1/2" = 1'-0"



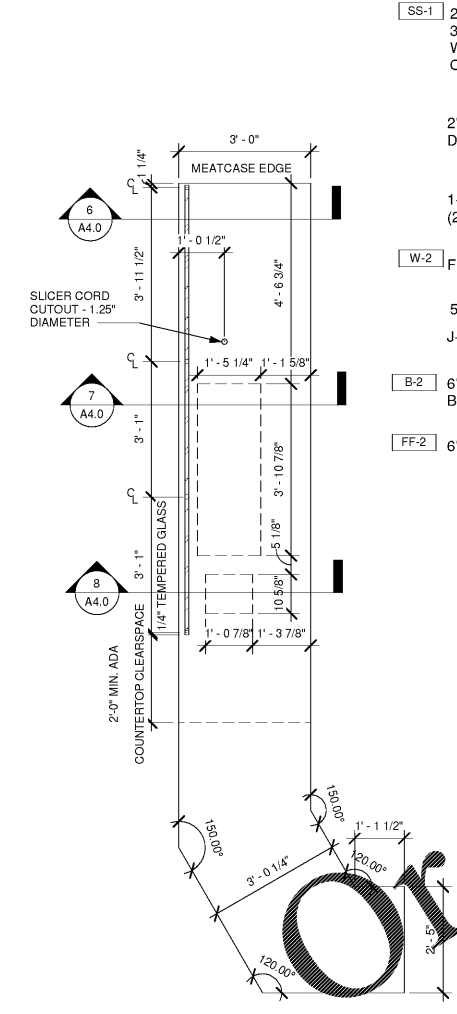
3 SECTION @ 2' DROP IN UNIT (GALLEY SETUP)
 1" = 1'-0"



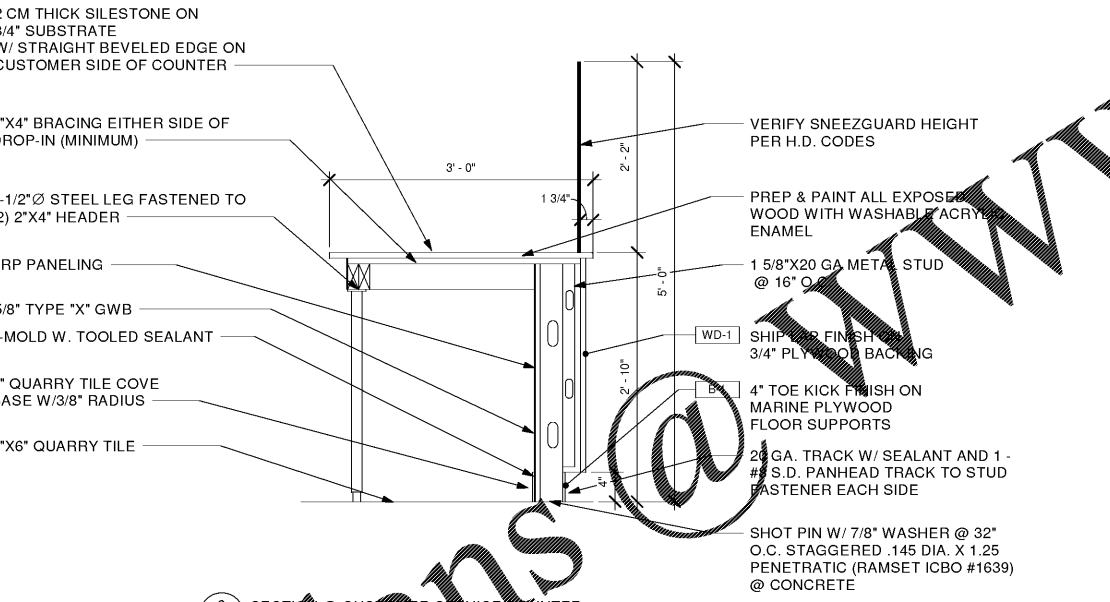
4 SECTION DETAIL AT DEMISING WALL
 1" = 1'-0"



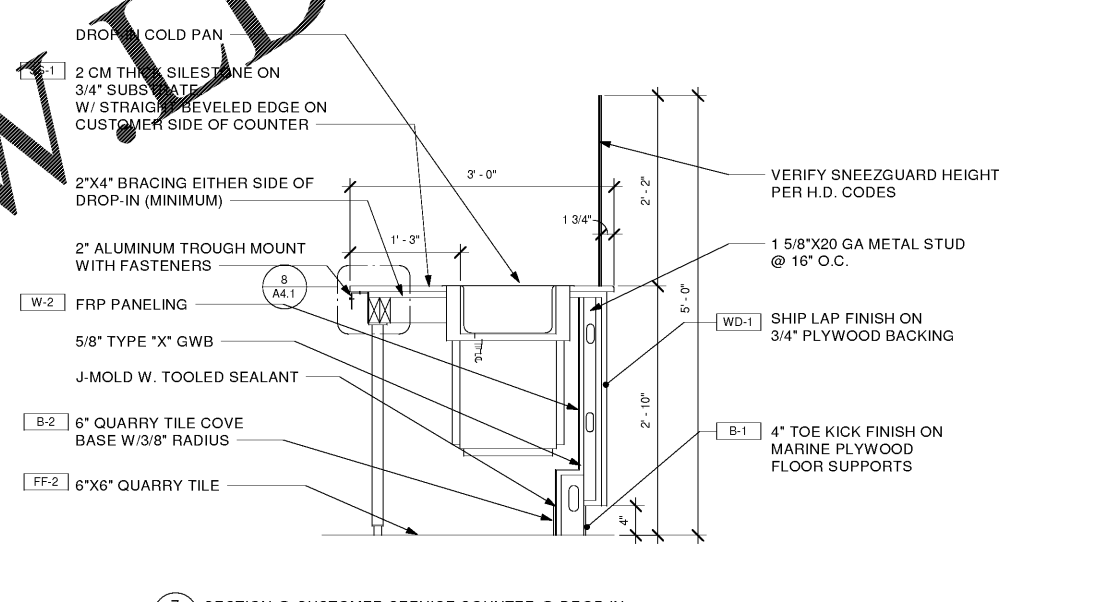
5 SECTION AT DRAWER AND DOOR BASE @ DEMISING WALL
 1" = 1'-0"



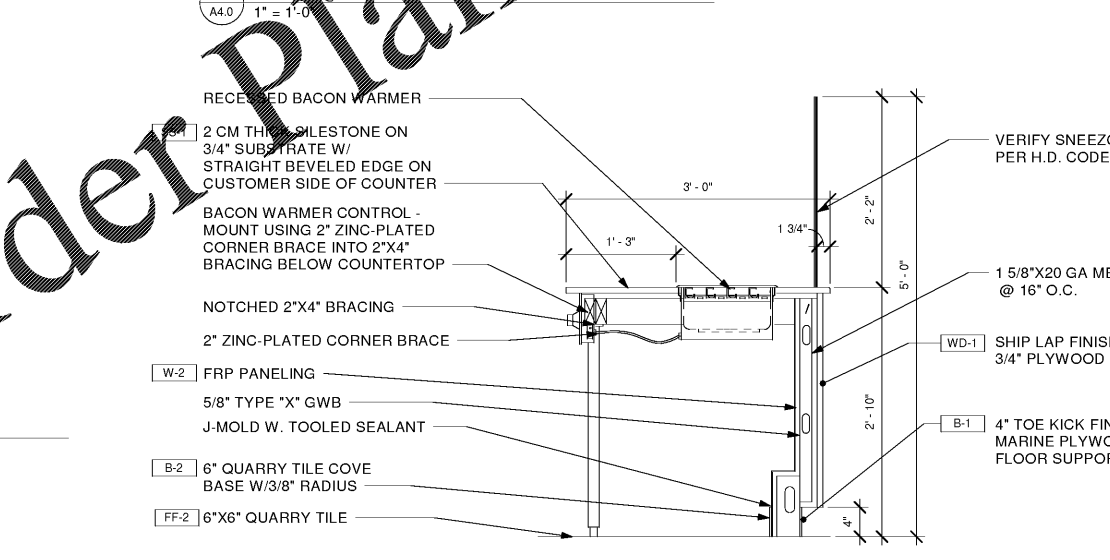
2 ENLARGED PLAN - SERVICE MILLWORK COUNTER
 1/2" = 1'-0"



6 SECTION @ CUSTOMER SERVICE COUNTER
 1" = 1'-0"



7 SECTION @ CUSTOMER SERVICE COUNTER @ DROP-IN
 1" = 1'-0"



8 SECTION @ CUSTOMER SERVICE COUNTER @ RECESSED BACON WARMER
 1" = 1'-0"

MILLWORK NOTE:
 IF COUNTER DIMENSIONS DIFFER FROM THE ABOVE DRAWINGS, REACH OUT TO CORPORATE TO CONFIRM CUT OUT LOCATIONS

11/15/2019 10:51:09 AM D:\Dorbox (Tedrow Design)\Tedrow Design Team Folder\Jersey Mike's\JMMC-02_Highpoint, NC - Rodger\Revit\JMMC-102_Highpoint, NC 10-12-19.rvt

Order Plans @ WWW.MILLWORKDETAILS.COM