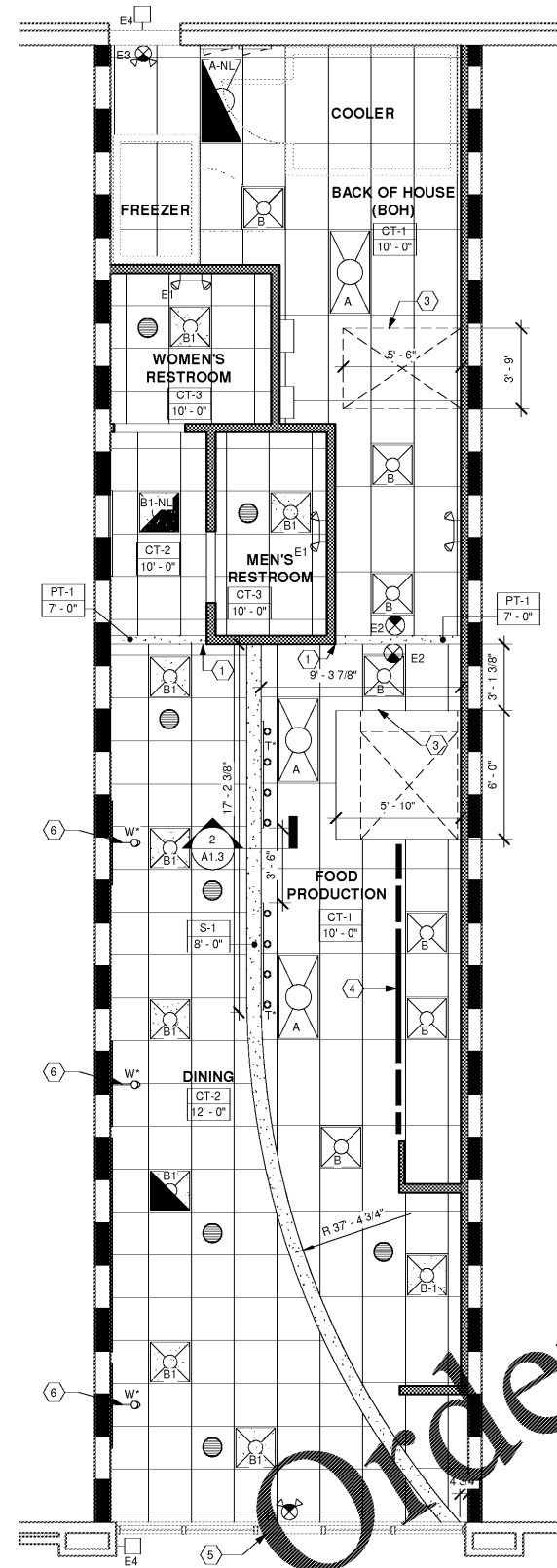


1/11/2019 10:50:48 AM
 D:\Dorbox (Tedrow Design)\Tedrow Design Team Folder\Jersey Mike's\JMNC-02_Highpoint, NC - RodgerPerrill\MNC-102_Highpoint, NC 10-12-19.rvt



1 REFLECTED CEILING PLAN
 1/4" = 1'-0"

LIGHTING LEGEND

MARK	SYMBOLS	DESCRIPTION	MOUNTING HEIGHTS	COMMENTS
A		HERMITAGE LIGHTING #045923643170 2'X4' LED EDGE LIT FLAT PANEL WITH ACRYLIC PRISMATIC LENS LAMP: 48W LED	LAY-IN CEILING HEIGHT	KITCHEN AND BACK LINE ONLY
A-NL		HERMITAGE LIGHTING #045923643170 2'X4' LED EDGE LIT FLAT PANEL WITH ACRYLIC PRISMATIC LENS LAMP: 48W LED (NIGHT LIGHT)	LAY-IN CEILING HEIGHT	KITCHEN AND BACK LINE ONLY
A1		CREE LIGHTING #ZR24C-40L-35K-10V-FD 2'X4' LED TROFFER LAMP: 44W LED, 35K OR HERMITAGE LIGHTING #72002406	LAY-IN CEILING HEIGHT	CUSTOMER AREA/RESTROOMS
B		HERMITAGE LIGHTING #045923643118 2'X2' LED EDGE LIT FLAT PANEL WITH ACRYLIC PRISMATIC LENS LAMP: 37W LED	LAY-IN CEILING HEIGHT	KITCHEN AND BACK LINE ONLY
B1-NL		2'X2' PARABOLIC LED TROFFER: MOBERN LIGHTING # RP-22-9-LED-42-DMV-35: 42W LED; 35K (NIGHT LIGHT)	LAY-IN CEILING HEIGHT	IN BATHROOM AND DINING AREA ONLY
B1		2'X2' PARABOLIC LED TROFFER: MOBERN LIGHTING # RP-22-9-LED-42-DMV-35: 42W LED; 35K	LAY-IN CEILING HEIGHT	IN BATHROOM AND DINING AREA ONLY
T*		JUNO TRACK-LITES #R600L-G2-35K LAMP: 1-9.5W LED OR HERMITAGE LIGHTING #186644197/186644650	MOUNT AT 9'-0" AFF. TRACK LIGHTING IN FRONT OF MENU, FACE HEADS TOWARDS MENU BOARD. TRACK LIGHTING ABOVE MEAT CASE AND SLICER FACES HEADS DOWN TOWARDS EQUIPMENT BELOW.	ONE CIRCUIT TRACK SYSTEM FOR MENU BOARD AND MURAL. SPECIFY BLACK TRACK LIGHTING FOR ALL MURAL OPEN CEILING CONDITIONS. ALL OTHER TRACK FIXTURES WILL BE IN WHITE. (LENGTH AS SHOWN ON PLANS)
W*		MITZI RILEY WALL SCONCE HL111101G-PN; LED BULB BLB-6W-G40, 6W	WALL MOUNT AT 8'-6" AFF	DINING ROOM ONLY
P1		ACCENT PENDANT	OVER COMMUNITY TABLE SEATING. REFER TO SURFBOARD DETAIL	DINING ROOM ONLY
E1		HERMITAGE #90902323, EMERGENCY LIGHT 2 HEAD, 6V, 1.1W HEAD, WHITE, BATTERY BACK UP AS PER NEC 700.12 (F).		MOUNT ON WALL OR CEILING.
E2		HERMITAGE #9090301, LED EXIT, 3.6W AS PER NEC 700.12 (F).		MOUNT ON WALL OR CEILING.
E3		HERMITAGE #90902167 COMBINATION EXIT/EMERGENCY FIXTURE WITH 90 MIN. BATTERY BACK-UP, 1.1W HEADS AND 2.2W REMOTE HEADS CAPABILITY		EXTERIOR DOOR LOCATIONS
E4		HERMITAGE #90902175 OUTDOOR EMERGENCY EGRESS LIGHT 2 HEAD		EXTERIOR DOOR LOCATIONS
TV		6" AND 8" CEILING MOUNTED SPEAKERS ALONG WITH STEREO RECEIVER AND VOLUME CONTROL. VERIFY PLACEMENT OF SPEAKERS WITH VENDOR AND CORRELATE WITH ELCT. MECH. EQUIPMENT		SYSTEM TO BE ORDERED THROUGH "SOURCE ONE DISTRIBUTORS" - (877) 977-4525
TV		LG 42 CLASS 1080P LED TV W/ SMART TV TV & MOUNTING HARDWARE PROVIDED BY TENANT		TV BASE MOUNTED BETWEEN 7'-0" OR 8'-0" AFF INSTALLED BY G.C.

CEILING TYPE
 XX-X TYPE
 X'-X' HEIGHT
 X-X FINISH

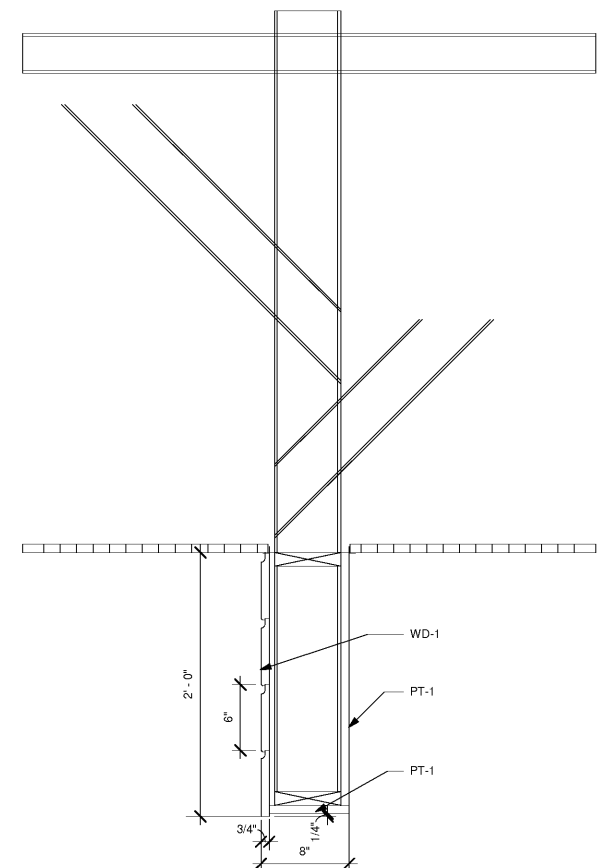
NOTES:
 1. LIGHTING FIXTURES AND LAMPS IN THE ABOVE SCHEDULE (UNLESS NOTED WITH **) ARE PROVIDED BY THE CONTRACTOR VIA A NATIONAL CONTRACT WITH HERMITAGE LIGHTING NATIONAL ACCOUNTS. THE CONTRACTOR IS RESPONSIBLE FOR PURCHASING AND INSTALLING THE LIGHTING FIXTURES AND QUESTIONS REGARDING FIXTURE AND LAMP TYPES, INSTALLATION REQUIREMENTS, AND ORDERS SHALL BE WITH WYATT CULVER OF HERMITAGE LIGHTING (800) 264-3383 OR (615) 843-3379 OR DAVID CHUDACOFF AT (615) 843-3369.
 ** LIGHTING FIXTURES AND LAMPS IN THE ABOVE SCHEDULE INDICATED WITH (**) ARE PROVIDED BY THE CONTRACTOR VIA A NATIONAL CONTRACT WITH HUDSON VALLEY. THE CONTRACTOR IS RESPONSIBLE FOR PURCHASING AND INSTALLING THE LIGHTING FIXTURES AND QUESTIONS REGARDING FIXTURE AND LAMP TYPES, INSTALLATION REQUIREMENTS, AND ORDERS SHALL BE WITH LISA CARROLL 415-455-5339 OR BY E-MAIL: YESLESCARROLL@GMAIL.COM
 3. OWNER SHALL PURCHASE AND G.C. SHALL INSTALL AND HARDWIRE/ CONNECT SPEAKERS TO THE PHONE SYSTEM, INTERNET AND CABLE SHELF. G.C. SHALL ALSO INSTALL VOLUME CONTROL SYSTEM.

CEILING PLAN KEY NOTES

- ALIGN BULKHEAD W/ ADJACENT WALL FRAMING AS SHOWN.
- TVs & MOUNTING BRACKETS PROVIDED BY TENANT. TVs MOUNTED/IN ALL BLOCKING AS NEEDED. HANG AND RODS, TV BASE MOUNTED BETWEEN 7'-0" OR 8'-0" AFF. ELECTRICAL BOX MOUNTED 8'-6" AFF O.C.
- OUTLINE OF HOOD - SEE MECHANICAL DRAWINGS.
- CEILING MOUNTED MENUBOARD. SEE GRAPHICS SCHEDULE SHEET EQ1.0.
- EXTERIOR ILLUMINATED SIGNAGE. SEE ELECTRICAL DWGS, SIGNAGE CONSULTANT DRAWINGS AND JM CONSTRUCTION MANUAL FOR SPECS.
- WALL SCONCE EQUAL DISTANTLY HUNG ON WALL GRAPHIC PRINT.

CEILING PLAN GENERAL NOTES

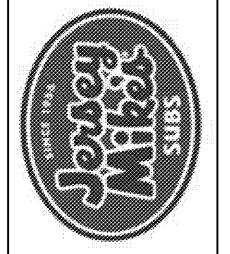
- SUSPENDED CEILING HEIGHTS INDICATED ARE TO FINISH. GYPSUM CEILING HEIGHTS ARE TO FACE OF FRAMING OR AS OTHERWISE DETAILED - VERIFY ALL HEIGHTS IN FIELD PRIOR TO COMMENCING WORK - REPORT ANY DISCREPANCIES TO ARCHITECT.
- SEE FINISH SCHEDULE, SHEET A2.0 FOR CEILING FINISH SPECIFICATIONS.
- ALL DIMENSIONS ARE TO FINISH FACE, U.N.O.
- G.C. SHALL PERFORM ANY NEW ROOF WORK AS REQUIRED TO MAINTAIN EXISTING ROOF WARRANTIES.



2 SOFFIT @ DINING ROOM
 3/4" = 1'-0"

3 ENLARGED SOFFIT @ DINING ROOM
 1 1/2" = 1'-0"

THE CONTENTS OF THIS DRAWING WILL REMAIN THE PROPERTY OF THOMAS F. TEDROW, AIA. ITS CONTENTS, INCLUDING ALL INFORMATION SHALL NOT BE REPRODUCED USING ANY MEANS WITHOUT EXPRESS WRITTEN CONSENT AND/OR PERMISSION FROM THOMAS F. TEDROW, AIA



THOMAS F. TEDROW, AIA
 ARCHITECT
 2866 ADAMS BROOK WAY
 SNELLVILLE, GA 30078
 PH. 678.777.5548
 E-MAIL: tom.tedrow@tedrowdesign.com

JERSEY MIKE'S
 THE PALLADIUM SHOPPING CENTER
 4117 BRIAN JORDAN PLACE
 HIGH POINT, NC 27265



ARCHITECT/ENGINEER STAMP

REV. NO.	DATE	DESCRIPTION

PROJECT NO: JMNC-200
 DRAWN BY: KRR
 CHECKED BY: TFT
 ISSUE DATE: 11/06/19

REFLECTED CEILING PLAN
 A1.3