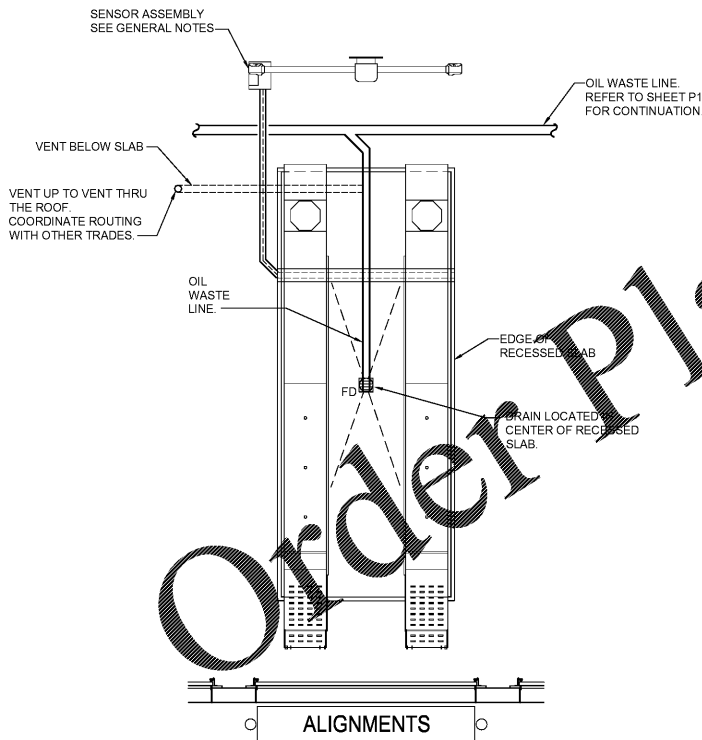


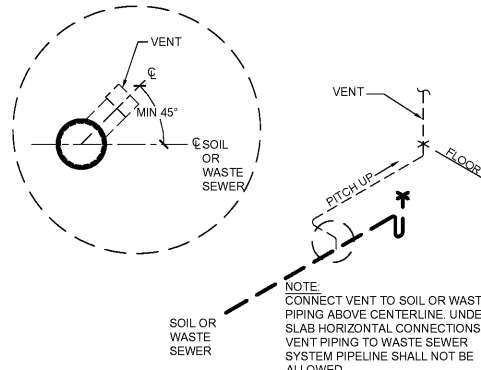
1
P5
TRAP PRIMER DETAIL (TP-1)
SCALE: N.T.S.

NOTE:
DETAILS SHOWN HERE ARE DIAGRAMMATICAL ONLY AND ARE NOT INTENDED TO SHOW EVERY FITTING AND/OR OFFSET. SEE MANUFACTURER'S SPECIFIC INSTALLATION INSTRUCTIONS AND DETAILS. INSTALLATION CONTRACTOR IS TO BE CERTIFIED AND AUTHORIZED BY THE MANUFACTURER.



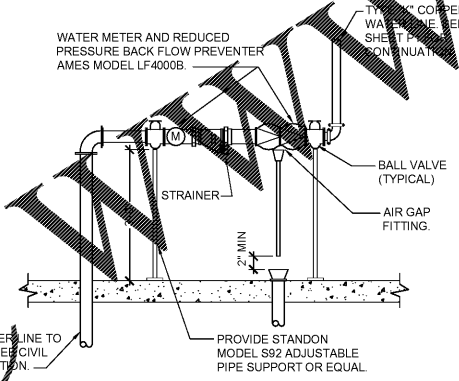
5
P5
ALIGNMENT RACK PIPING DETAIL
SCALE: N.T.S.

NOTE:
ARRANGEMENT MAY BE MIRRORRED FROM POSITION SHOWN



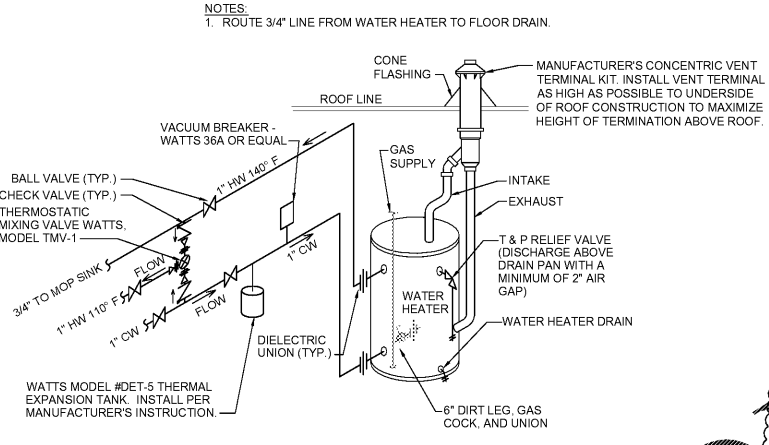
6
P5
VENT PIPING INSTALLATION
SCALE: N.T.S.

4
P5
WATER SERVICE DIAGRAM
SCALE: N.T.S.

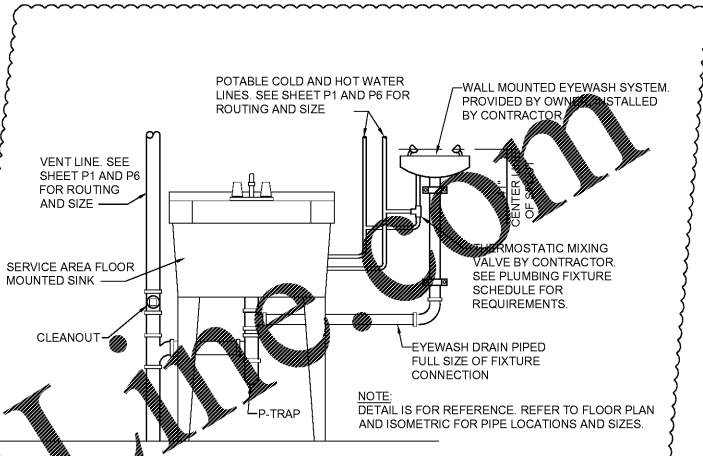


NOTE:
PROVIDE ADEQUATE CLEARANCES AS REQUIRED BY LOCAL CODE FOR DOMESTIC SERVICE.

2
P5
GAS FIRED WATER
SCALE: N.T.S.

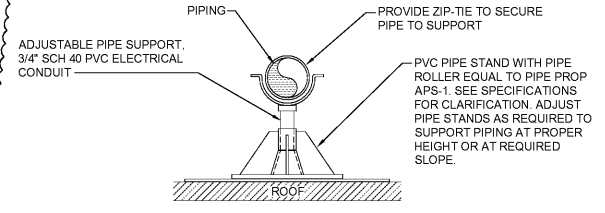


NOTES:
1. ROUTE 3/4\"/>



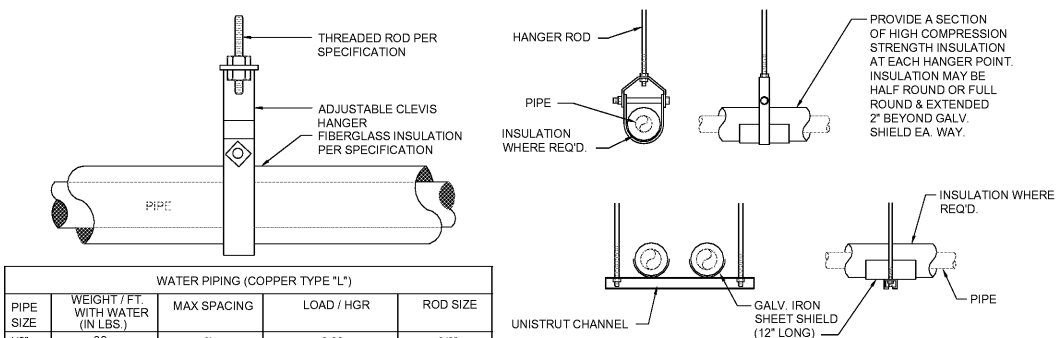
3
P5
EYEWASH PIPING DETAIL
SCALE: N.T.S.

NOTE:
DETAIL IS FOR REFERENCE. REFER TO FLOOR PLAN AND ISOMETRIC FOR PIPE LOCATIONS AND SIZES.



MAXIMUM SPACING FOR PIPE SUPPORTS	
HORIZONTAL PIPING:	SUPPORT SPACING (FEET)
3/4" TO 1-1/4"	2

8
P5
ROOF MOUNTED PIPING SUPPORT DETAIL
SCALE: N.T.S.



WATER PIPING (COPPER TYPE 'L')				
PIPE SIZE	WEIGHT / FT. WITH WATER (IN LBS.)	MAX SPACING	LOAD / HGR	ROD SIZE
1/2"	.38	6'	2.28	3/8"
3/4"	.66	6'	3.96	3/8"
1"	1.04	6'	6.24	3/8"
1-1/4"	1.43	6'	8.58	3/8"
1-1/2"	1.92	6'	19.2	3/8"
2"	3.09	10'	30.8	3/8"
2-1/2"	4.52	10'	45.2	3/8"

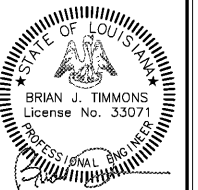
NOTES:
1. ATTACH SUPPORTS FOR ALL PIPING SUSPENDED FROM THE STEEL STRUCTURE PER MANUFACTURER'S RECOMMENDATIONS.
2. PROVIDE COPPER OR PLASTIC COATED HANGERS FOR NON-INSULATED COPPER PIPE.

7
P5
PIPE SUPPORT DETAIL
SCALE: N.T.S.



THIS DRAWING IS THE PROPERTY OF BRIDGESTONE RETAIL OPERATIONS, LLC AND IS LOANED ON THE EXPRESS CONDITION THAT IT IS NOT TO BE USED IN ANY WAY DEPENDENT TO THE INTERESTS OF BRIDGESTONE RETAIL OPERATIONS, LLC. ANY REUSE OR REPRODUCTION OF THIS DRAWING WITHOUT THE WRITTEN PERMISSION OF BRIDGESTONE RETAIL OPERATIONS, LLC IS STRICTLY PROHIBITED AND WILL BE CONSIDERED AN ADMISION TO THE EXCLUSIVE OWNERSHIP AND TO THE DRAWING BY BRIDGESTONE RETAIL OPERATIONS, LLC.

NEW FCAC STORE
2019 - JANUARY - SMALL I
233 S AIRLINE HWY
GONZALES, LA



BID SET
11.18.19
TRCI

ISSUE BLOCK
11/11/19 CB #1

PROPERTY NO.: 160013
6 DIGIT NO.: 902556
4 DIGIT NO.: 014W
AOR PROJECT NUMBER: 1955527
TO PERMIT: DATE: 7-30-2019
TO BID: DATE: ###-##-##

SHEET TITLE

PLUMBING DETAILS

SHEET NUMBER:
P5

Order Plans