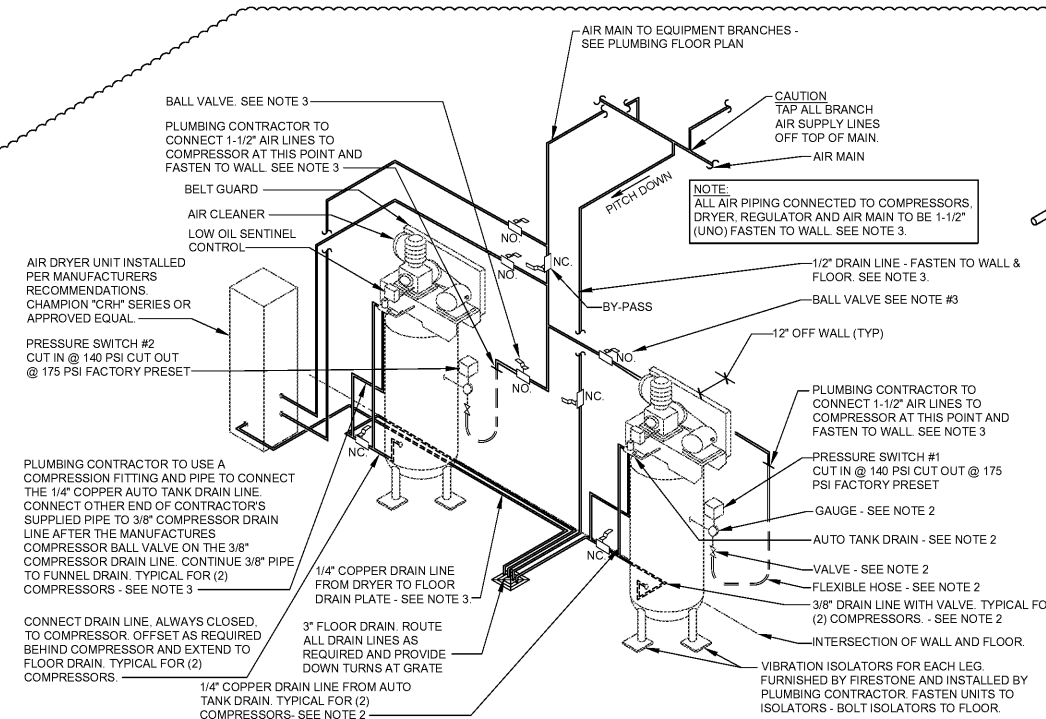
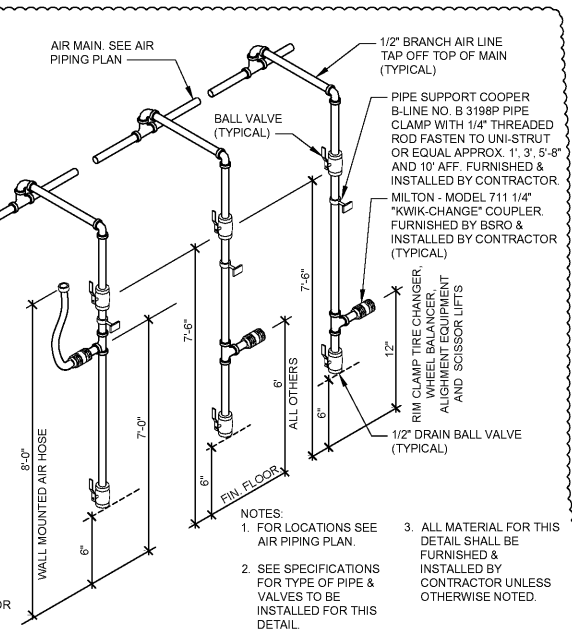


Nov 11, 2019 - 9:25am - USER AaronAngel
 G:\Bridgestone-Firestone (Engineering)\1920231 BRSG - Gonzales, LA Sheets\P3 AIR PIPING PLAN AND NOTES.dwg

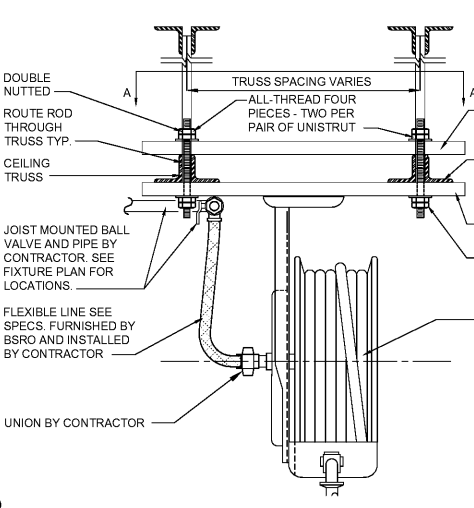


3 AIR PIPING DETAIL - TWO VERTICAL COMPRESSORS
 SCALE: N.T.S.

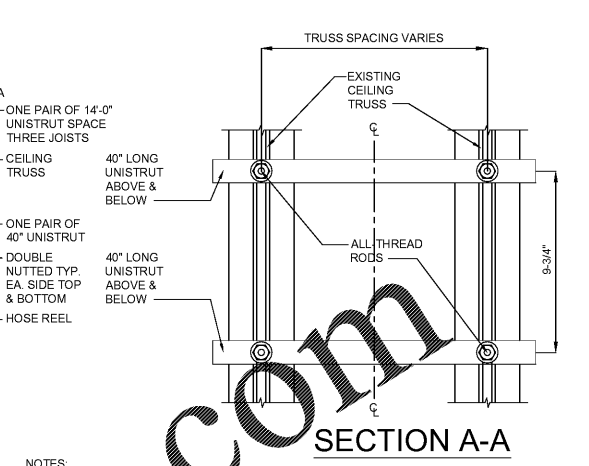
- AIR PIPING DETAIL NOTES:**
- SEE PLUMBING PLAN FOR LOCATION OF COMPRESSORS, PIPE SIZES AND EQUIPMENT LOCATIONS.
 - PRESSURE SWITCHES, GAUGES, VALVES & UNIONS ARE CONNECTED TO THE COMPRESSOR BY THE MANUFACTURER. PLUMBING CONTRACTOR TO INSTALL FLEXIBLE HOSES, FURNISHED BY THE COMPRESSOR MANUFACTURER, TO 1-1/2" PIPE.
 - SEE SPECIFICATIONS FOR TYPE OF PIPE, VALVES, UNIONS & CHECK VALVES FURNISHED & INSTALLED BY PLUMBING CONTRACTOR.
 - TYPICAL DETAIL - PIPING CONNECTIONS AT COMPRESSORS MAY VARY ACCORDING TO MANUFACTURER. COMPRESSORS ARE TO BE FURNISHED BY OWNER AND INSTALLED BY CONTRACTOR.
 - COMPRESSORS TO BE INSTALLED PER MANUFACTURER'S INSTRUCTIONS.
 - DRYER TO BE INSTALLED PER MANUFACTURER'S INSTRUCTIONS.
 - ALL PIPING IS LOCATED / INSTALLED BETWEEN COMPRESSORS AND WALL. MOUNT TIGHT TO WALL.
 - ALL VALVES SHALL BE NORMALLY OPEN (NO.) UNLESS NOTED OTHERWISE.



4 AIR SUPPLY DETAIL
 SCALE: N.T.S.



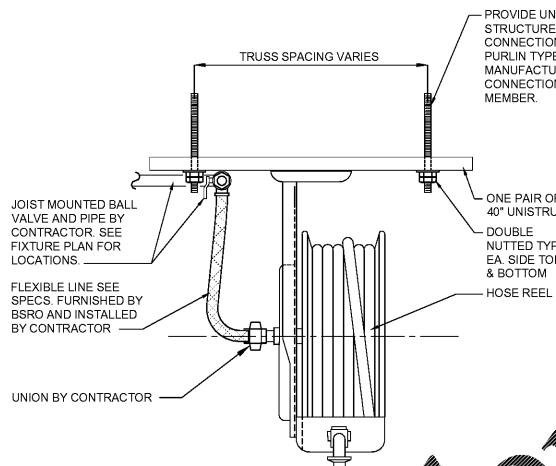
5 AIR HOSE REEL DETAIL
 SCALE: N.T.S.



- NOTES:**
- ALL REELS ARE FURNISHED BY OWNER AND INSTALLED BY CONTRACTOR.
 - REEL SUPPORTS ARE FURNISHED AND INSTALLED BY CONTRACTOR.
 - PIECE OF 40" LONG UNISTRUT TO BE MOUNTED ON TOP SIDE OF THE BOTTOM CHORD OF THE TRUSS AND SECURED WITH ALL-THREAD AND BOLTS. UNISTRUT SHALL BE CENTERED WITH PLASTER BETWEEN OVERHEAD DOORS. REFER TO DETAIL A2 FOR LOCATIONS.
 - FOUR PIECES OF ALL-THREAD EXTENDED BEYOND THE BOTTOM OF THE TRUSS FOR ATTACHMENT OF TWO 40" LONG PIECES OF UNISTRUT. EACH END OF THE ALL-THREAD TO BE DOUBLE NUTTED TYPICAL.
 - UNISTRUT TO BE INSTALLED WITH THE OPEN PORTION OF THE CHANNEL FACING THE SERVICE BAY FLOOR.

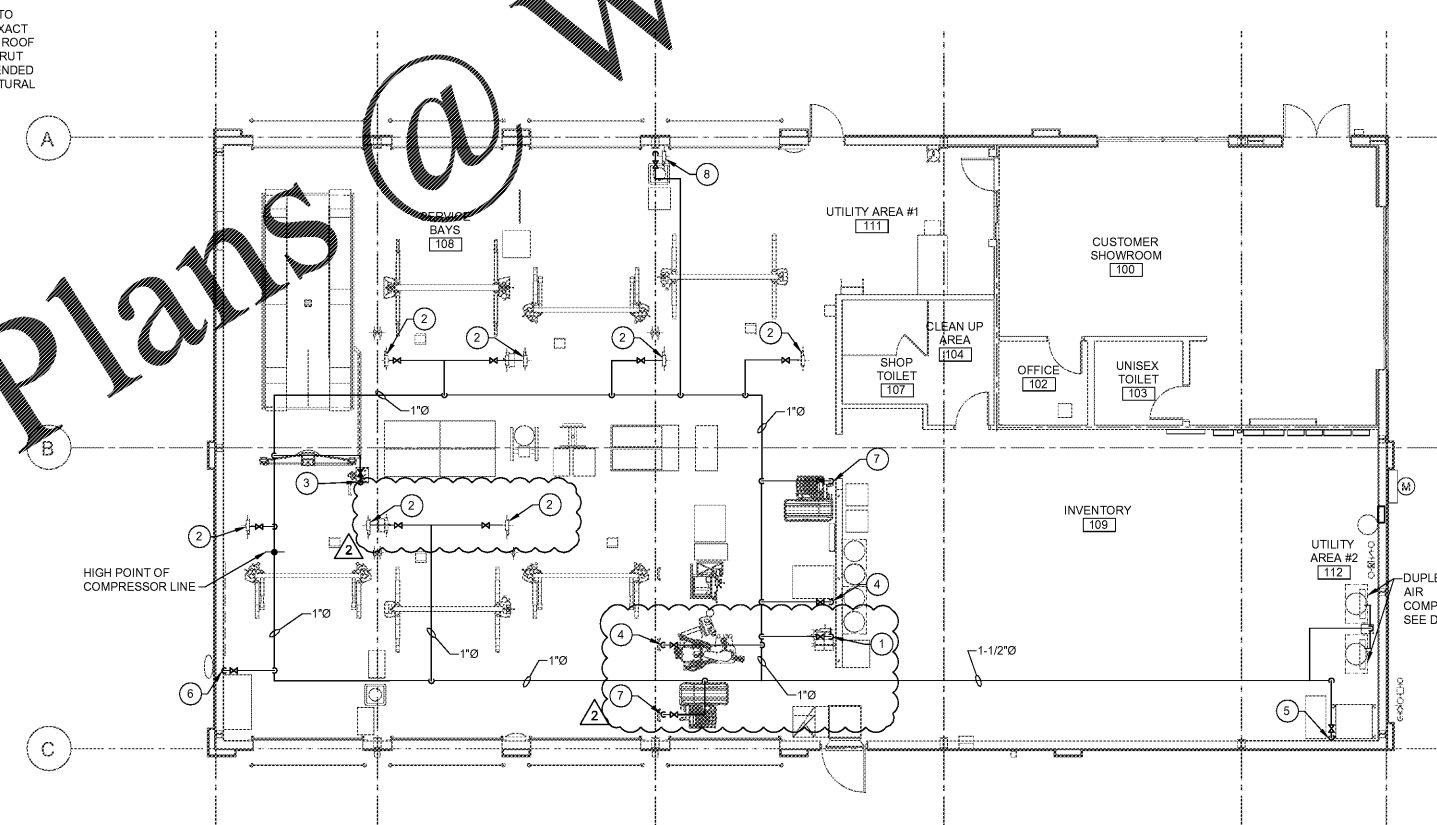
- # KEYED PLAN NOTES**
- FLAT REPAIR STATION 1/2" PIPE TO OVERHEAD AIR HOSE REEL. SEE DETAIL ON THIS SHEET FOR MOUNTING. COORDINATE EXACT LOCATION WITH FIXTURE PLAN.
 - 1/2" PIPE TO OVERHEAD AIR HOSE REEL. SEE DETAIL ON THIS SHEET FOR MOUNTING. COORDINATE EXACT LOCATION WITH FIXTURE PLAN.
 - 1/2" PIPE DOWN TO ALIGNMENT RACK. MAKE FINAL HARD PIPE CONNECTION TO ALIGNMENT CONTROLLER BOX. COORDINATE EXACT LOCATION WITH FIXTURE PLAN. REFER TO AIR SUPPLY DETAIL THIS SHEET FOR MOUNTING HEIGHT.
 - 1/2" PIPE DROP FOR RIM CLAMP TIRE CHANGER. COORDINATE EXACT LOCATION WITH FIXTURE PLAN. REFER TO AIR SUPPLY DETAIL ON THIS SHEET FOR MOUNTING HEIGHT.
 - 1/2" PIPE DROP FOR TANK MOUNTED AIR POWERED OIL PUMP. REFER TO AIR SUPPLY DETAIL THIS SHEET FOR MOUNTING HEIGHT. COORDINATE LOCATION OF AIR DROP WITH FIXTURE PLAN AND USED OIL STORAGE SYSTEM DETAIL ON SHEET P4.
 - 1/2" PIPE DOWN TO WORKBENCH. COORDINATE EXACT LOCATION WITH FIXTURE PLAN. REFER TO AIR SUPPLY DETAIL ON THIS SHEET FOR MOUNTING HEIGHT.
 - 1/2" PIPE DOWN TO ELECTRONIC WHEEL BALANCER. COORDINATE EXACT LOCATION WITH FIXTURE PLAN. REFER TO AIR SUPPLY DETAIL ON THIS SHEET FOR MOUNTING HEIGHT. COORDINATE WITH OWNER FOR FUTURE LOCATION OF AIR POWERED WHEEL BALANCER AND ELECTRONIC WHEEL BALANCER.
 - 1/2" PIPE DOWN TO WALL MOUNTED AIR HOSE REEL. PROVIDE SHUT OFF VALVE AT 7'-6" AND ROUTE UP TO HOSE REEL MOUNTED 8' ABOVE FINISHED FLOOR. COORDINATE EXACT LOCATION WITH FIXTURE PLAN. SEE DETAIL ON THIS SHEET. REFER TO AIR SUPPLY DETAIL THIS SHEET FOR MOUNTING HEIGHT FOR ALL OTHERS.

- AIR PIPING NOTES**
- PROVIDE SHUTOFF VALVES IN EACH BRANCH USING BALL VALVES REFER TO AIR SUPPLY DETAIL ON THIS SHEET FOR MOUNTING HEIGHT.
 - INSTALL/ROUTE ALL PIPING TIGHT TO UNDERSIDE OF SERVICE BAY CEILING.
 - MAKE FINAL CONNECTIONS TO ALL EQUIPMENT FURNISHED BY OTHERS PER MANUFACTURER'S INSTRUCTIONS.
 - PITCH PIPING BACK TO AIR COMPRESSOR. TAP ALL BRANCH PIPING TAKE-OFFS FROM TOP OF MAIN.
 - RUN 1/2" PIPING FROM SUPPLY MANIFOLD TO TIRE CHANGERS AND CONNECT PER MANUFACTURER'S INSTRUCTIONS. SEE MANUFACTURER'S DRAWINGS FOR DETAIL OF SUPPLY MANIFOLD.
 - ALL EQUIPMENT, MATERIAL AND LABOR NECESSARY FOR COMPLETION OF COMPRESSED AIR SYSTEM SHOWN OR REFERRED TO IN SPECIFICATIONS TO BE FURNISHED AND INSTALLED BY CONTRACTOR UNLESS NOTED OTHERWISE.
 - WHERE DRAWINGS OR SPECIFICATIONS EXCEED GOVERNING CODE REQUIREMENTS, DESIGN SHALL GOVERN. INSTALL NO WORK CONTRARY TO OR BELOW MINIMUM LEGAL STANDARDS, WHETHER DRAWINGS AND SPECIFICATIONS FULLY COMPLY OR NOT.
 - CAUTION: ALL AIR LINES SHALL BE PROPERLY CLEANED AND BLOWN OUT PRIOR TO CONNECTING TO ANY OF THE EQUIPMENT SHOWN ON THIS SHEET.
 - PROVIDE TIRE BALANCING UNIT AIR SUPPLY.



- NOTES:**
- ALL REELS ARE FURNISHED BY OWNER AND INSTALLED BY CONTRACTOR.
 - ALL REEL SUPPORTS ARE FURNISHED AND INSTALLED BY CONTRACTOR.
 - 2 PIECE 40" LONG UNISTRUT TO BE MOUNTED ON THE BOTTOM OF THE STRUCTURAL MEMBER AND SECURED WITH ALL-THREAD AND BOLTS. UNISTRUT SHALL BE CENTERED WITH PLASTER BETWEEN OVERHEAD DOORS. REFER TO DETAIL A2 FOR LOCATIONS.
 - FOUR PIECES OF ALL-THREAD EXTENDED BEYOND THE BOTTOM OF THE STRUCTURAL MEMBER FOR ATTACHMENT OF TWO 40" LONG PIECES OF UNISTRUT. EACH END OF THE ALL-THREAD TO BE DOUBLE NUTTED TYPICAL.
 - UNISTRUT TO BE INSTALLED WITH THE OPEN PORTION OF THE CHANNEL FACING THE SERVICE BAY FLOOR.
 - WHERE AIR REEL OCCURS AT A MAIN BEAM LINE, MOUNT UNISTRUT TO BOTTOM OF MAIN ROOF BEAM. SUPPORT UNISTRUT AT EACH END WITH ALL-THREAD BACK UP TO A UNISTRUT MOUNTED AT THE BOTTOM OF THE ROOF PURLIN. PROVIDE ALL SECONDARY UNISTRUT AS NECESSARY TO ATTACHED UNISTRUT AS SHOWN.

2 PRE-ENGINEERED BUILDING AIR HOSE REEL DETAIL
 SCALE: N.T.S.



1 AIR PIPING PLAN
 SCALE: 1/8" = 1'-0"

ACERTUS CONSULTING GROUP, LLC
 16371 W. 32nd St. Suite 100, Lone Star, TX 77438
 P: 281.323.1100 F: 281.323.3105 www.AcertusGroup.com

Firestone COMPLETE AUTO CARE

THIS DRAWING IS THE PROPERTY OF BRIDGESTONE RETAIL OPERATIONS, LLC AND IS LOANED ON THE EXPRESS CONDITION THAT IT IS NOT TO BE REPRODUCED OR TRANSMITTED IN ANY FORM OR BY ANY MEANS, ELECTRONIC OR MECHANICAL, INCLUDING PHOTOCOPYING, RECORDING, OR BY ANY INFORMATION STORAGE AND RETRIEVAL SYSTEM, WITHOUT THE WRITTEN PERMISSION OF BRIDGESTONE RETAIL OPERATIONS, LLC. ADMISSION TO THE EXCLUSIVE OWNERSHIP (AND TO THE DRAWING BY BRIDGESTONE RETAIL OPERATIONS, LLC.

NEW FCAC STORE
 2019 - JANUARY - SMALL I
 233 S AIRLINE HWY
 GONZALES, LA

BRIAN J. TIMMONS
 License No. 33071
 PROFESSIONAL ENGINEER
 STATE OF LOUISIANA
 11/08/19

BID SET
 11.18.19
 TRCI

ISSUE BLOCK

Δ	11/11/19	CB #1
---	----------	-------

PROPERTY NO.: 160013
 6 DIGIT NO.: 902556
 4 DIGIT NO.: 014W
 AOR PROJECT NUMBER: 1955827
 TO PERMIT: DATE: 7-30-2019
 TO BID: DATE: ##-##-##

SHEET TITLE:
AIR PIPING PLAN AND NOTES
 SHEET NUMBER:
P3