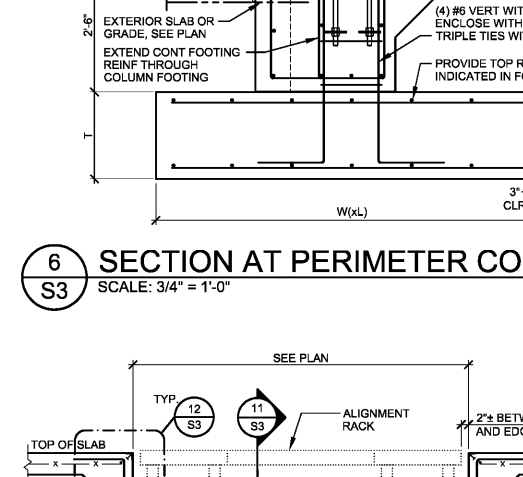
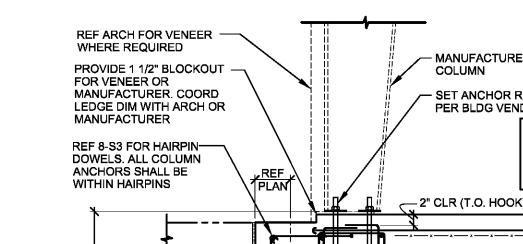
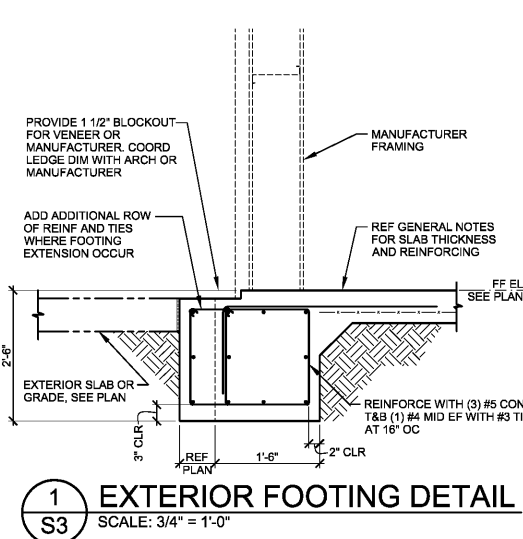
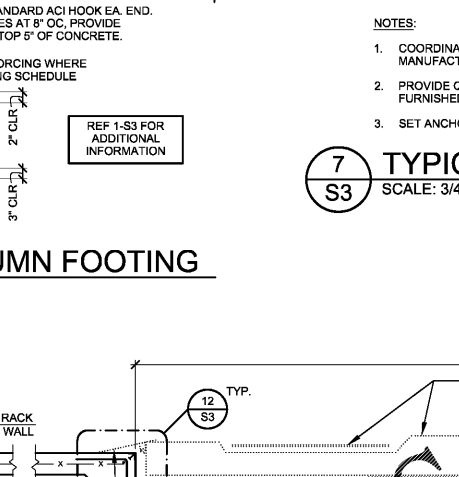
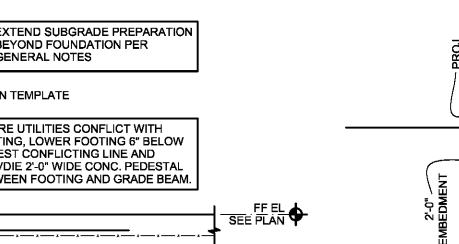
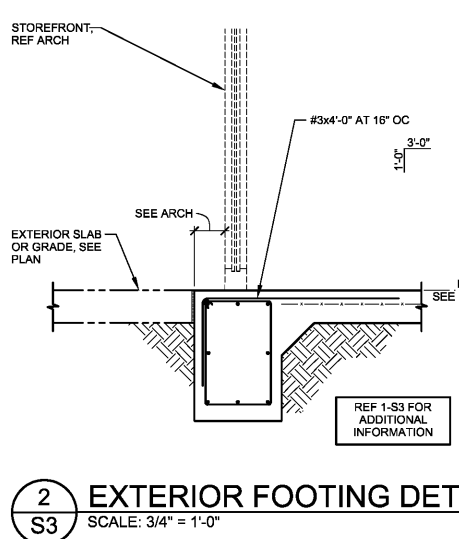
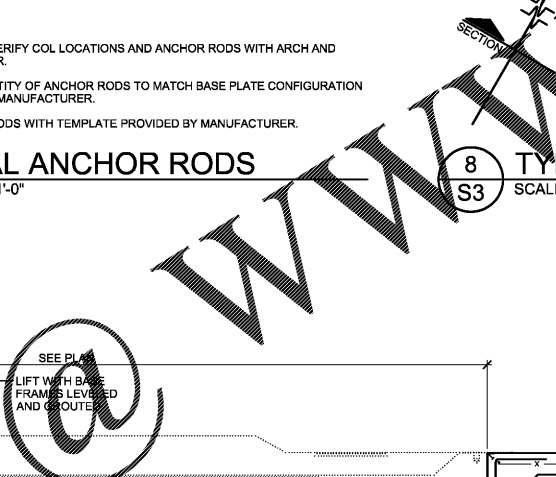
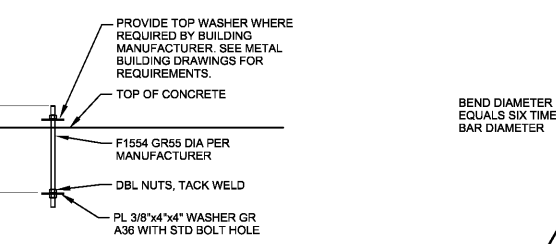
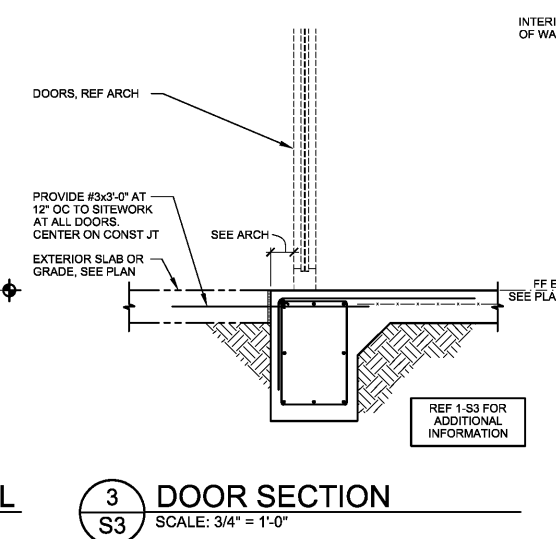
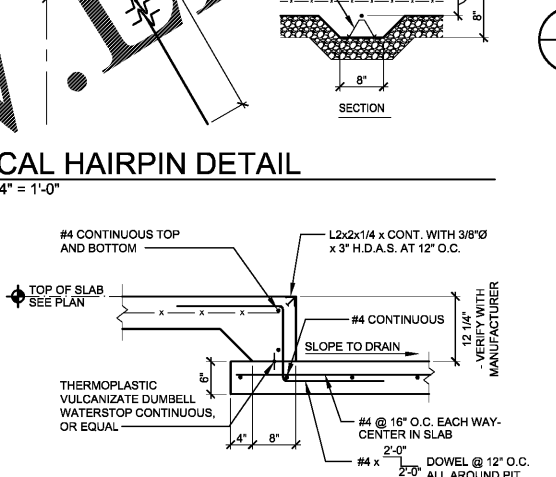
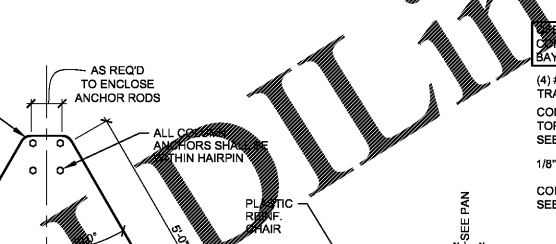
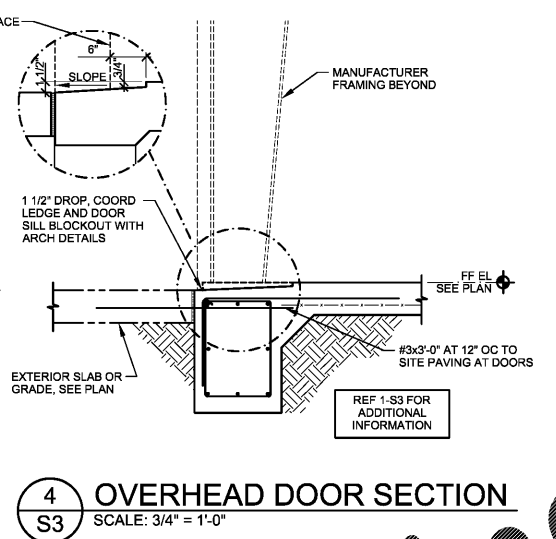
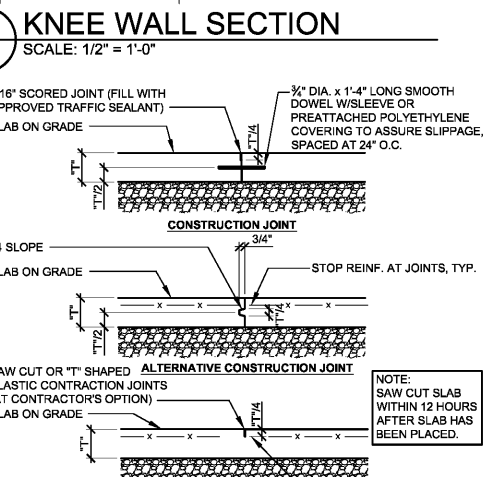
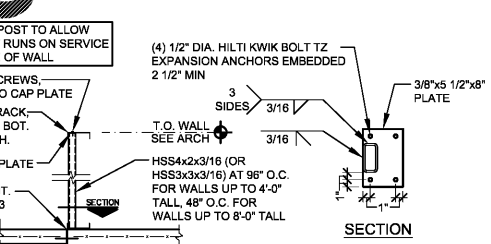
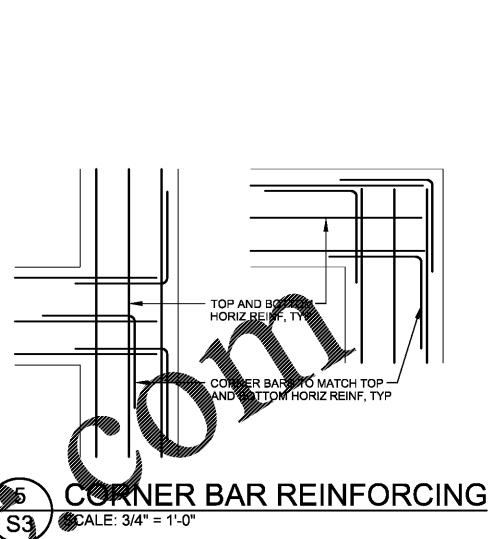


ISSUE BLOCK	

PROPERTY NO.:	160013
6 DIGIT NO.:	902566
4 DIGIT NO.:	014W
AOR PROJECT NUMBER:	1955927
TO PERMIT DATE:	7-30-2019
TO BID DATE:	###-##-##



Aug 16, 2019 - 5:09pm - USER: Colby Brown
\\Struct-Server\Volume\BSRO\1911798 - Gonzales, LA\Struct\1_S3.dwg