

# FOUNDATION PLAN NOTES

- SEE SHEET S1 FOR GENERAL NOTES AND S3 FOR TYPICAL DETAILS
- ALL ELEVATIONS BASED ON FINISH FLOOR ELEVATION = 100'-0" FOR REFERENCE ONLY. SEE SITE PLAN FOR ACTUAL FINISH FLOOR ELEVATIONS.
- SEE PLAN AND GENERAL STRUCTURAL NOTES FOR TOP OF EXTERIOR FOOTING ELEVATIONS. THE GENERAL CONTRACTOR SHALL COORDINATE ALL TOP OF FOOTING ELEVATIONS WITH THE CIVIL ENGINEERING DRAWINGS AND SITE CONDITIONS.
- PROVIDE CORNER BARS IN ALL CORNERS AND INTERSECTIONS PER 5-S3. LAP SPLICE FOOTING CORNER BAR REINFORCING PER TABLE ON SHEET S1.
- REFER TO MECHANICAL DRAWINGS FOR ALL DRAIN LOCATIONS AND SLOPES TO DRAINS.

# SLAB SCHEDULE

LOCATION	THICKNESS AND REINFORCING	REMARKS
4" INTERIOR SLAB ON GRADE	4" CONCRETE SLAB ON GRADE REINFORCED WITH 6 x 6 - W1.4 x W1.4 W.W.F. - CENTER	COMPACTED GRANULAR SUBBASE PER THE GEOTECHNICAL REPORT
5" INTERIOR SLAB ON GRADE	5" CONCRETE SLAB ON GRADE REINFORCED WITH 6 x 6 - W2.9 x W2.9 W.W.F. - CENTER	COMPACTED GRANULAR SUBBASE PER THE GEOTECHNICAL REPORT
6" EXTERIOR SLAB ON GRADE	6" CONCRETE SLAB ON GRADE REINFORCED WITH 6 x 6 - W2.9 x W2.9 W.W.F. - CENTER	COMPACTED SUBBASE PER GEO-REPORT
SIDEWALK	4" CONCRETE SLAB ON GRADE REINFORCED WITH 6 x 6 - W1.4 x W1.4 W.W.F. - CENTER	COMPACTED SUBBASE PER GEOTECHNICAL REPORT - SEE CIVIL DRAWINGS FOR ADDITIONAL INFORMATION

\* THICKNESS OF SLABS AS SPECIFIED IN SCHEDULE ARE MINIMUMS. THERE SHALL BE NO TOLERANCE FOR SLABS THINNER THAN THOSE SPECIFIED IN SCHEDULE.

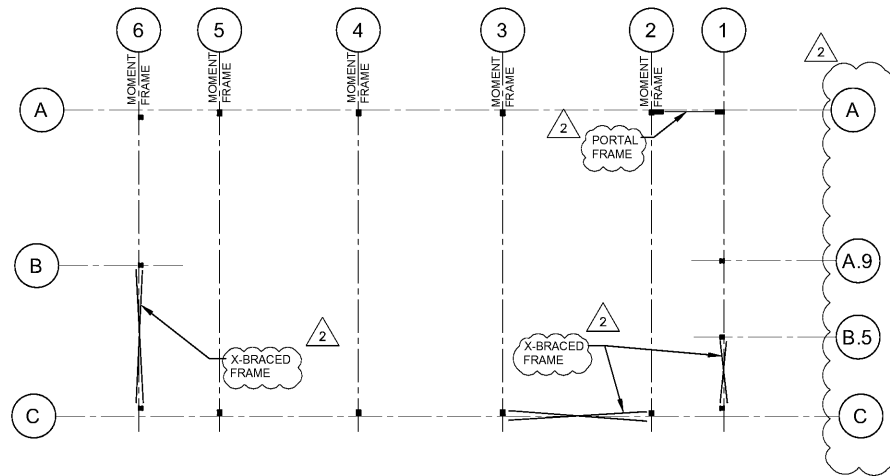
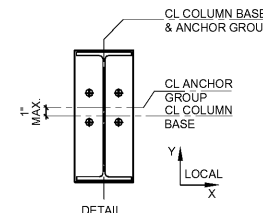
\* COORDINATE LOCATIONS AND EXTENTS OF EXTERIOR CONCRETE SLAB WITH ARCH. AND CIVIL DRAWINGS.

\* SEE ARCH AND SPECIFICATIONS FOR SLAB FINISH REQUIREMENTS.

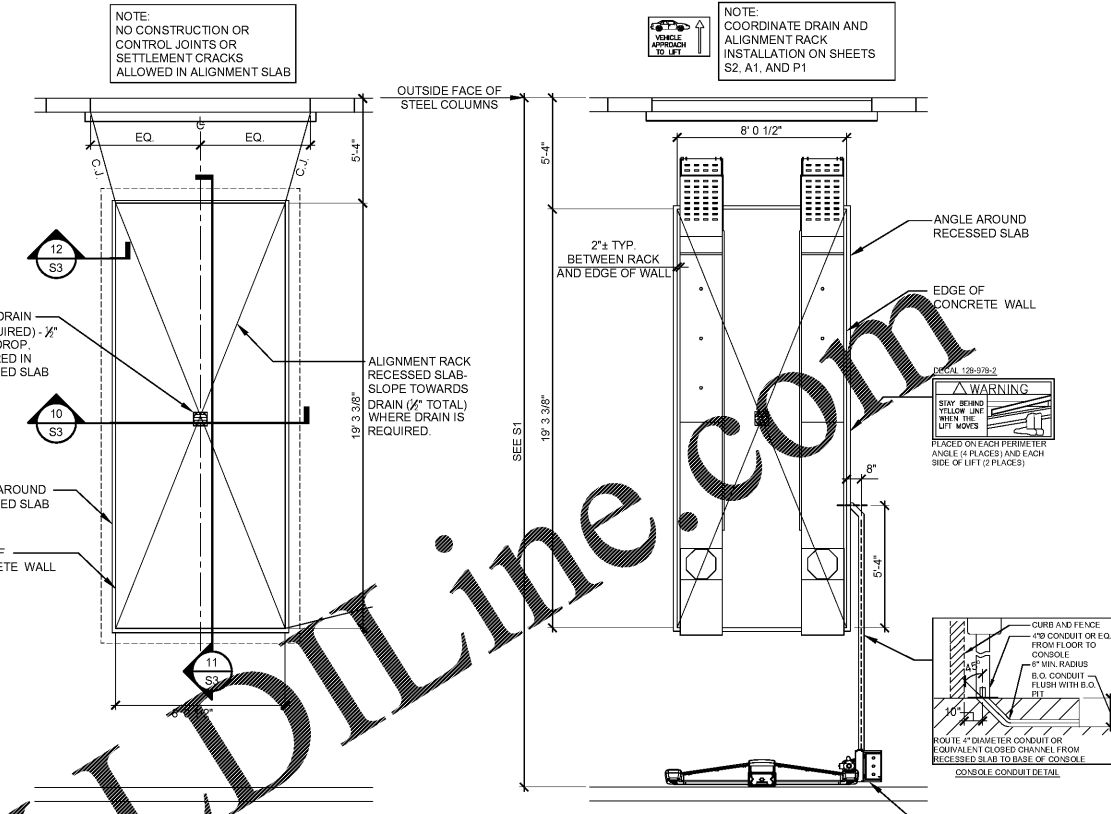
# FOOTING SCHEDULE

MARK	SIZE	REINFORCING
F1	4'-0" x 4'-0" x 1'-0"	(4) #5 - EACH WAY, BOTTOM
F2	5'-0" x 5'-0" x 1'-0"	(5) #7 - EACH WAY, BOTTOM
F3	7'-0" x 7'-0" x 2'-0"	(7) #7 - EACH WAY, TOP AND BOTTOM

- BLDG. MFR. TO PROVIDE FRAMES & BRACING IN LOCATIONS NOTED BELOW
- SEE ARCH FOR CLEARANCES & SPECIAL COLUMN DEPTH LIMITATIONS.
- CENTER LINE OF ANCHOR BOLT GROUP SHALL BE NO MORE THAN 1" FROM CENTER LINE OF COLUMN SECTION AT THE BASE IN THE LOCAL Y-DIRECTION AND SHALL MATCH IN THE LOCAL X-DIRECTION. SEE DETAIL.

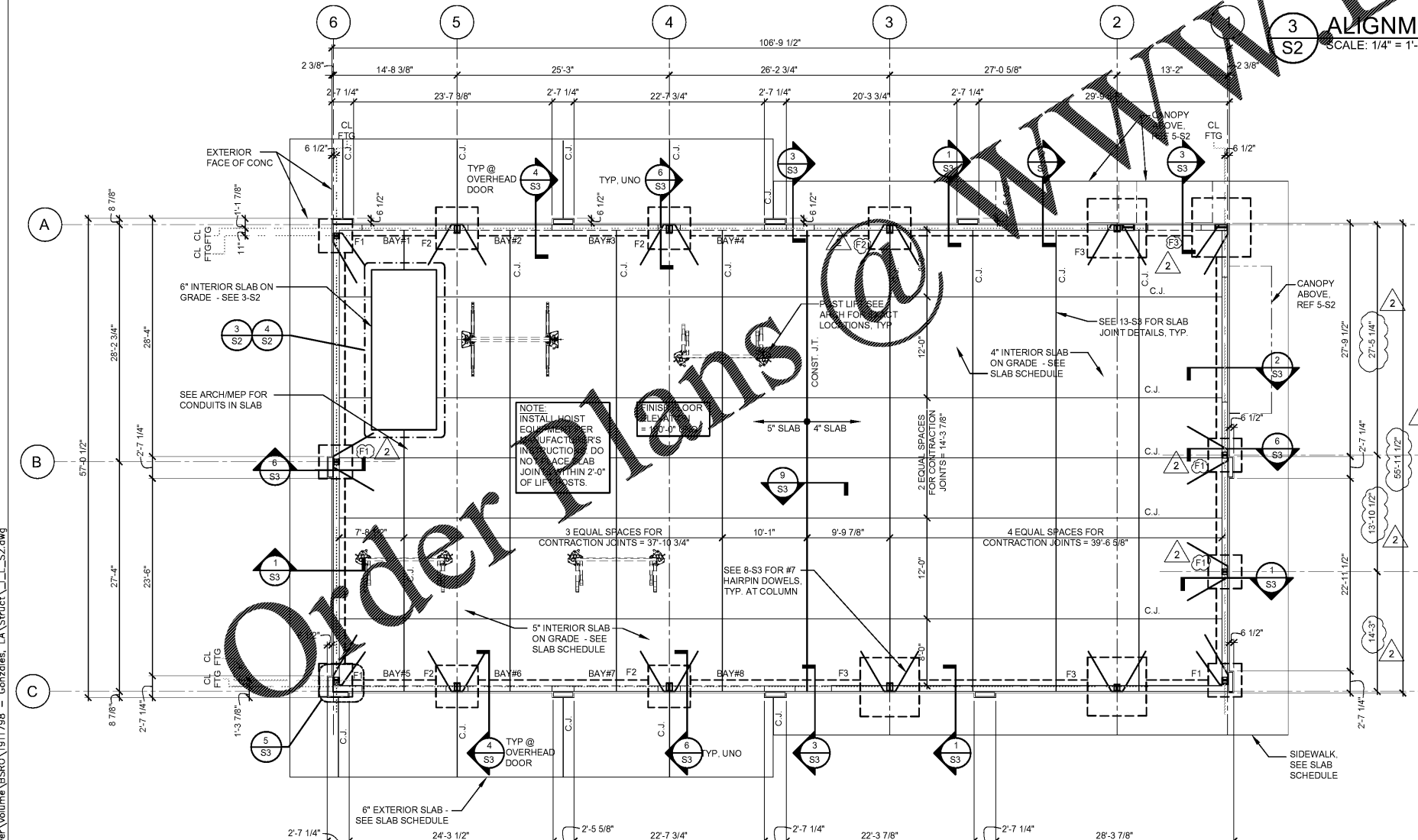


2 BUILDING FRAME SCHEMATIC PLAN  
SCALE: 1/16" = 1'-0"

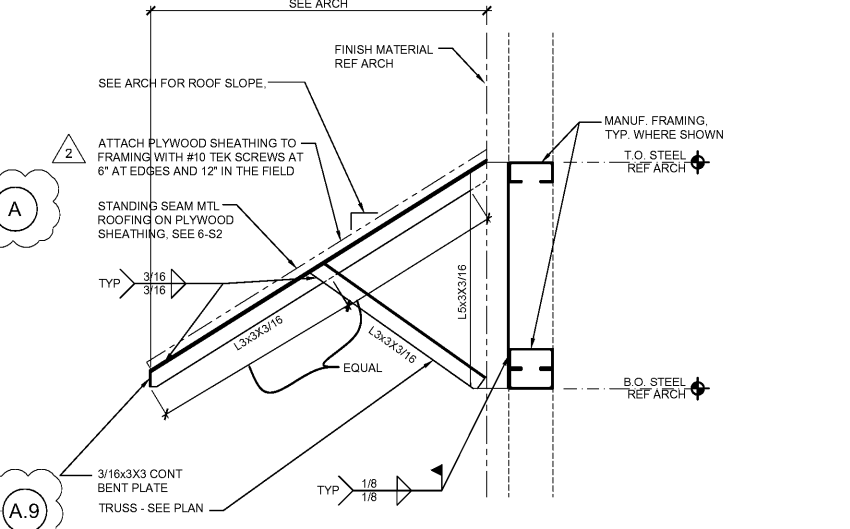


3 ALIGNMENT SLAB PLAN  
SCALE: 1/4" = 1'-0"

4 ALIGNMENT RACK PLAN  
SCALE: 1/4" = 1'-0"



1 FOUNDATION PLAN  
SCALE: 1/8" = 1'-0"



5 SECTION AT CANOPY  
SCALE: 3/4" = 1'-0"

- ### ROOF SHEATHING:
- ROOF SHEATHING SHALL BE 1/2" APA RATED EXTERIOR 1 PLYWOOD WITH A 24/16 SPAN RATING.
  - STAGGER PLYWOOD JOINTS 48" OC.
  - SHEATHING SHALL HAVE LONG DIMENSION SPANNING PERPENDICULAR TO SUPPORTS, AND SHALL BE A MINIMUM OF 3 SPAN CONTINUOUS.
  - MINIMUM PANEL WIDTH AND LENGTH SHALL BE 32".
  - PANEL ENDS SHALL BE CENTERED ON JOIST. PANEL EDGES SHALL BE TONGUE AND GROOVE OR BUTT JOINT WITH METAL H-CLEPS AT MID SPAN BETWEEN JOISTS.
  - ATTACH SHEATHING TO ALL SUPPORTS AND SHEAR WALL BLOCKING WITH #10 WAFER HEAD SCREW. USE 6" SPACING AT PANEL EDGES, ALONG HIPS AND EAVES AND ALONG SHEAR WALL BLOCKING. USE 12" SPACING TO ALL SUPPORTS WITHIN PANEL INTERIOR FIELD.

6 SHEATHING NOTES  
SCALE: 3/4" = 1'-0"

EXTERIOR LIGHT GAGE STUDS SHALL BE 600S162-54 AT 16" O.C. TYP. U.N.O. REF ARCH FOR LOCATION. EACH STUD SHALL ATTACH TO EACH METAL BUILDING GIRT WITH L3x3x16 G.A. CLIP ANGLE WITH (2) #12 TEK SCREWS TO STUD AND GIRT. REF METAL BUILDING DRAWINGS FOR GIRT SPACING.

REF 14/S3 FOR LIGHT POLE FOUNDATION. REF ARCH FOR LOCATION AND CONFIGURATION

REF 15/S3 FOR TRASH ENCLOSURE WALL/FOOTING. REF ARCH FOR LOCATION AND CONFIGURATION



THIS DRAWING IS THE PROPERTY OF BRIDGESTONE RETAIL OPERATIONS, LLC AND IS LOANED TO THE BUSINESS CUSTOMER FOR USE ONLY ON THE PROJECT AND SITE SPECIFICALLY IDENTIFIED. IT IS NOT TO BE REPRODUCED, COPIED, OR TRANSMITTED IN ANY FORM OR BY ANY MEANS, ELECTRONIC OR MECHANICAL, INCLUDING PHOTOCOPYING, RECORDING, OR BY ANY INFORMATION STORAGE AND RETRIEVAL SYSTEM. THE ACCEPTANCE OF THIS DRAWING WILL BE CONSIDERED AS AN ACCEPTANCE OF THE FOREGOING CONDITIONS AND AS ASSUMPTION TO THE EXCLUSIVE LIABILITY AND TO THE DRAWING BY BRIDGESTONE RETAIL OPERATIONS, LLC.

NEW FCAC STORE  
2019 - JANUARY - SMALL I  
233 S AIRLINE HWY  
GONZALES, LA

BID SET  
11.18.19  
TRCI

ISSUE BLOCK	
CB #1	11/11/19

PROPERTY NO.: 160013  
6 DIGIT NO.: 902566  
4 DIGIT NO.: 014W

AOR PROJECT NUMBER: 1955827  
TO PERMIT: DATE: 7-30-2019  
TO BID: DATE: ##-##-##

SHEET TITLE:  
FOUNDATION PLAN AND NOTES

SHEET NUMBER:  
**S2**