

NOTE: CONTRACTOR TO FURNISH AND INSTALL ALL DOORS, DOOR FRAMES, SIGNS AND HARDWARE.

DOOR				FRAME		LABEL	SIGN	DETAIL	REMARKS				
MARK	ROOM NAME	TYPE	QTY	SIZE W x H x T	MAT'L	FINISH	MAT'L	FINISH	TYPE "UL"				
01	CUSTOMER SHOWROOM	F	2	3'-0" x 7'-0" x 1 3/4"	AL	CLEAR ANODIZED	AL	CLEAR ANODIZED	P	-	EXIT	5/A6	SEE-D04, D14, D15 & D17
02	CUSTOMER SHOWROOM	F	1	3'-0" x 7'-0" x 1 3/4"	AL	CLEAR ANODIZED	AL	CLEAR ANODIZED	P	-	-	1-D/A8	SEE-D04
03	OFFICE	H	1	3'-0" x 7'-0" x 1 3/4"	HM	PT-1	HM	PT-1	P	-	OFFICE	1-B/A8	SEE-D06, D12, D13 & D15
04	UNISEX TOILET	G	1	3'-0" x 7'-0" x 1 3/4"	HM	PT-1	HM	PT-1	P	-	REST ROOM	1-B/A8	SEE-D10, D13 & D15
05	SHOP TOILET	G	1	3'-0" x 7'-0" x 1 3/4"	HM	PT-1 (SHOP TOILET)	HM	PT-1 (SHOP TOILET)	P	-	REST ROOM	1-B/A8	SEE-D10, D13 & D15
06	SERVICE BAY	K	1	3'-0" x 7'-0" x 1 3/4"	HM	PT-4 (SERVICE BAYS) EXTERIOR - SEE A4	HM	PT-4 (SERVICE BAYS) EXTERIOR - SEE A4	P	-	EXIT	1/A6 & 2/A6	SEE-D01, D06 & D13
07	SERVICE BAY	J	1	10'-0" x 10'-0" x 1 3/4"	-	PRE-FINISHED	-	-	-	-	-	15/A7	SEE-D01, D02, D03, D04, & D09
08	SERVICE BAY	J	1	10'-0" x 10'-0" x 1 3/4"	-	PRE-FINISHED	-	-	-	-	-	15/A7	SEE-D01, D02, D03, D04 & D09
09	SERVICE BAY	J	1	10'-0" x 12'-0" x 1 3/4"	-	PRE-FINISHED	-	-	-	-	-	15/A7	SEE-D01, D02, D03, D04 & D09
10	SERVICE BAY	J	1	10'-0" x 10'-0" x 1 3/4"	-	PRE-FINISHED	-	-	-	-	-	15/A7	SEE-D01, D02, D03, D04 & D09
11	SERVICE BAY	G	1	4'-0" x 7'-0" x 1 3/4"	HM	PT-4 (SERVICE BAYS) EXTERIOR - SEE A4	HM	PT-4 (SERVICE BAYS) EXTERIOR - SEE A4	P	-	EXIT	1/A6 & 2/A6	SEE-D01, D06 & D13
12	SERVICE BAY	J	1	10'-0" x 10'-0" x 1 3/4"	-	PRE-FINISHED	-	-	-	-	-	15/A7	SEE-D01, D02, D03, D04, & D09
13	SERVICE BAY	J	1	10'-0" x 10'-0" x 1 3/4"	-	PRE-FINISHED	-	-	-	-	-	15/A7	SEE-D01, D02, D03, D04 & D09
14	SERVICE BAY	J	1	10'-0" x 10'-0" x 1 3/4"	-	PRE-FINISHED	-	-	-	-	-	15/A7	SEE-D01, D02, D03, D04 & D09
15	SERVICE BAY	J	1	10'-0" x 10'-0" x 1 3/4"	-	PRE-FINISHED	-	-	-	-	-	15/A7	SEE-D01, D02, D03, D04 & D09
16	SERVICE BAY	-	1	8'-10" x 7'-6" x 1 3/4"	-	PRE-FINISHED	-	-	-	-	-	9/A8	SEE-D05, D07

DOOR SCHEDULE NOTES

GENERAL NOTES:
 1. ALL THRESHOLDS AT EXTERIOR DOORS TO BE SET IN FULL BED OF MASTIC.
 2. ALL HARDWARE SHALL CONFORM WITH ICC A117.1 AND GOVERNING CODES.

D01. INSULATE EXTERIOR DOORS AS REQUIRED BY CRITERIA IN SPECIFICATIONS.
 D02. TRACK AND HARDWARE BY O.H. DOOR MANUFACTURER.
 D03. ACTUAL DOOR SIZE IS 2" WIDER AND 1" HIGHER THAN DOOR OPENING (PROVIDE FOR 1" LAP AT HEAD AND JAMBS).
 D04. HARDWARE BY DOOR MANUFACTURER REFER TO SPECIFICATIONS.
 D05. ELECTRIC OPERATOR
 D06. PROVIDE DOOR LITE REFER DOOR TYPES.
 D07. GC TO FIELD VERIFY DOOR SIZE PRIOR TO ORDERING DOOR.
 D08. DOOR COLOR GRAY.
 D09. BRUSH EDGE SEALS BY DOOR MANUFACTURER.
 D10. UNDERCUT DOOR 1/2".
 D11. PREP GATE FOR ELECTRIC STRIKE (REMOTE BUZZER TO BE LOCATED AT MVS DESK).
 D12. PROVIDE LOUVER IN BASE OF DOOR PER DOOR TYPE.
 D13. DOOR & FRAME TO BE PAINTED TO MATCH EXISTING WALL UNO.
 D14. LOCKING HARDWARE ON ENTRY DOOR TO PROVIDE UNOBSTRUCTED ACCESS FROM THE EXTERIOR AND THUMB TURNS ON INTERIOR.
 D15. GC TO PROVIDE TACTILE DOOR FINISH AS NOTED TO COMPLY WITH ADA.
 D16. VERIFY HARDWARE QUANTITIES PER PART (EA - EACH).
 D17. PROVIDE PLATE REINFORCEMENT FOR HOLLOW OPEN AT DOOR FRAME AND ON THE EXTERIOR OF THE ALUMINUM DOOR WITH THROUGH BOLTS FOR CRASH CHAIN. G.C. TO PROVIDE REINFORCEMENT ON THE INTERIOR STORE MANAGER TO DISABLE ALARM PRIOR TO OPENING DOOR.
 D19. G.C. TO PROVIDE & INSTALL SLING DOORS, FRAME, TRIM, AND HARDWARE. COORDINATE WITH DOOR HARDWARE SPECIFICATIONS.
 D20. NO KICK PLATE OR PLYWOOD REQUIRED.
 D21. PROVIDE DOOR SILENCERS (S).

DOOR SCHEDULE MATERIAL KEY

MARK	DESCRIPTION
AL	ALUMINUM
CL	CHAIN LINK
HM	HOLLOW METAL
PE	POLYETHYLENE
WD	WOOD

ROOM FINISH SCHEDULE

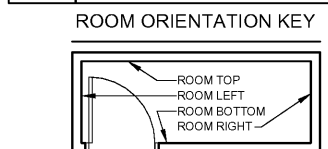
ROOM NO.	ROOM NAME	FLOOR	WALLS												CEILING	NOTES		
			MAT'L	FIN.	LEFT	FIN.	BASE	TOP	FIN.	BASE	RIGHT	FIN.	BASE	BOTTOM			FIN.	BASE
100	CUSTOMER SHOWROOM	CONC.	SEALED	GYP. BD.	SEE A2	RB	GYP. BD.	SEE A2	RB	GYP. BD.	SEE A2	RB	GYP. BD.	SEE A2	RB	O.T.S.	PT-2	SEE RF2, RF8, RF9
101	UNISEX TOILET	CONC.	SEALED	GYP. BD.	SEE A2	RB	GYP. BD.	SEE A2	RB	GYP. BD.	SEE A2	RB	GYP. BD.	SEE A2	RB	O.T.S.	PT-3	SEE RF2, RF4, RF6, RF8
102	OFFICE	CONC.	SEALED	GYP. BD.	SEE A2	RB	GYP. BD.	SEE A2	RB	GYP. BD.	SEE A2	RB	GYP. BD.	SEE A2	RB	O.T.S.	PT-2	SEE RF2, RF8, RF9
103	SHOP TOILET	CONC.	SEALED	GYP. BD.	SEE A2	RB	GYP. BD.	SEE A2	RB	GYP. BD.	SEE A2	RB	GYP. BD.	SEE A2	RB	O.T.S.	PT-3	SEE RF2, RF4, RF6, RF8
104	SERVICE BAYS	CONC.	SEALED	PLYWD.	SEE A2	-	PLYWD.	SEE A2	-	PLYWD.	SEE A2	-	PLYWD.	SEE A2	-	O.T.S.	PT-3	SEE RF1, RF3, RF5, RF7, RF8
105	PARTS/INVENTORY	CONC.	SEALED	PLYWD.	SEE A2	-	PLYWD.	SEE A2	-	PLYWD.	SEE A2	-	PLYWD.	SEE A2	-	O.T.S.	PT-2	SEE RF2, RF3, RF5, RF7, RF8
106	UTILITY AREA	CONC.	SEALED	PLYWD.	SEE A2	-	PLYWD.	SEE A2	-	PLYWD.	SEE A2	-	PLYWD.	SEE A2	-	O.T.S.	PT-3	SEE RF2, RF3, RF5, RF7, RF8

ROOM FINISH REMARKS

RF1. SERVICE AREA PAINT SCHEME
 - ALL GIRTS, COLUMNS, PURLINS AND METAL BUILDING STRUCTURE TO BE PRIMED BY METAL BUILDING MANUFACTURER.
 - PAINT FROM DIMENSION: FLOOR TO 5'-4" AFF PT.4
 - PAINT FROM DIMENSION: 5'-4" AFF TO STRUCTURE PT.1
 - PAINT ALL EXPOSED CONDUITS, J-BOXES AND EXPOSED SURFACES VISIBLE TO PUBLIC VIEW. PIPING FOR AIR, AND SPRINKLER SYSTEMS ARE NOT TO BE PAINTED. DUCT WORK TO BE PAINT PT-2.
 RF2. ALL EXPOSED GIRTS, COLUMNS, GIRTS AND METAL BUILDING STRUCTURE TO BE PRIMED. PAINT EXPOSED STRUCTURE AS NOTED ON SHEET A2.
 RF3. USE SHERWIN WILLIAMS WATER BASED CATALYZED EPOXY FOR WALLS. THIS IS A 2-PART PAINT WITH (PART #/ PART #) = (B70W0211 w/ epoxy hardener B60V25)
 RF4. PROVIDE YELLOW SAFETY STRIPING AS SHOWN ON PLANS.
 RF5. FRP COLOR: VIK #1276 SATIN LINEN TEXTURE FINISH (WALL PRIMER REQUIRED)
 RF6. PROVIDE WHITE FACED INSULATION AT ROOF DECK TO COMPLY WITH 2015 IECC.
 RF7. PROVIDE BLACK FACED INSULATION AT ROOF DECK TO COMPLY WITH 2015 IECC.
 RF8.

ROOM SCHEDULE MATERIAL KEY

MARK	DESCRIPTION
CONC.	CONCRETE
SEALED	CONCRETE WITH APPLIED SEALER
GYP. BD.	GYP. BOARD
O.T.S.	OPEN TO STRUCTURE



PAINT COLOR SCHEDULE:

NOTE: ALL COLOR NAMES INDICATED ARE FOR SELECTION PURPOSES ONLY. SEE PAINT SPECS FOR SPECIFIC REQUIREMENTS.

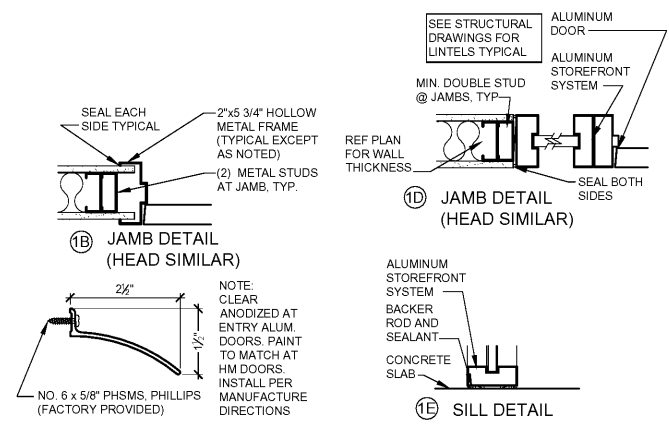
DESCRIPTION: (ALL "SHERWIN / WILLIAMS" NUMBERS "SW" & "CC-CUSTOM COLORS")

KEY:	COLOR:	S.W. #
PT-1	"REFLECTION"	-SW7661
PT-2	"CAVIAR"	-SW6990
PT-3	"PURE WHITE"	-SW7005
PT-4	"IRON ORE"	-SW7710
PT-5	"SAFETY RED"	-CUSTOM COLOR
PT-6	"ANTIQUE WHITE"	-SW6119
PT-7	"BLACK"	-SW4090
PT-8	"SAFETY YELLOW"	-SW4084
PT-9	"ROW HOUSE TAN"	-SW7689
PT-10	"LATTE"	-SW6108
PT-11	"WARM STONE"	-SW7032
PT-21	"CROSSROADS"	-SW3521
PT-22	"EMPIRE GOLD"	-SW0012

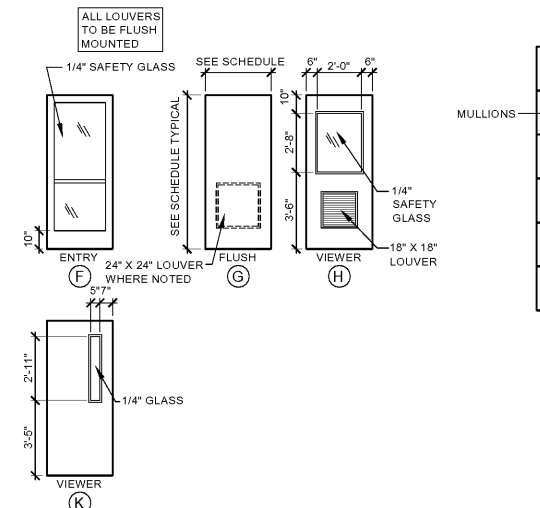
PT-5 "SAFETY RED" CUSTOM MATCH

QTY	COLORANT	OZ	32	64	128
R4	NEW RED	10	63	1	1

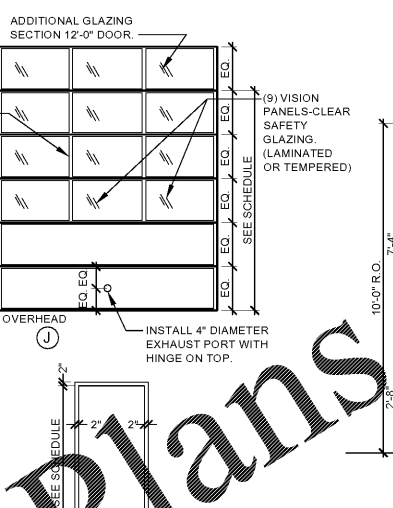
ONE GALLON: K43R00058 PRIMARY RED: 650097140 EXTERIOR RESILIENCE SATIN



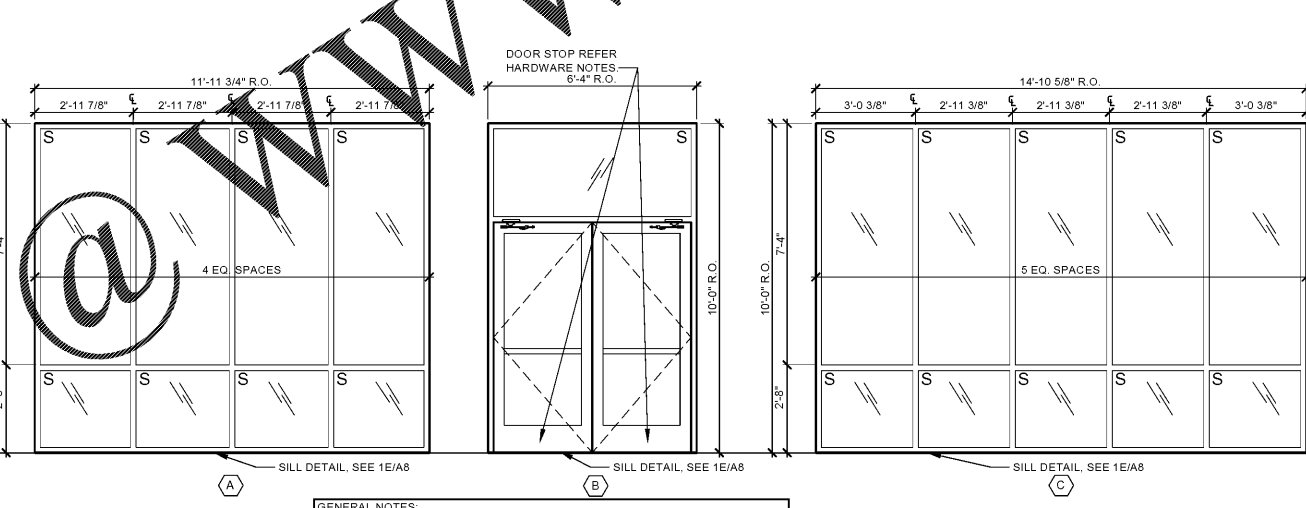
DOOR DETAILS
 SCALE: NOT TO SCALE



DOOR TYPES
 SCALE: 1/4"=1'-0"

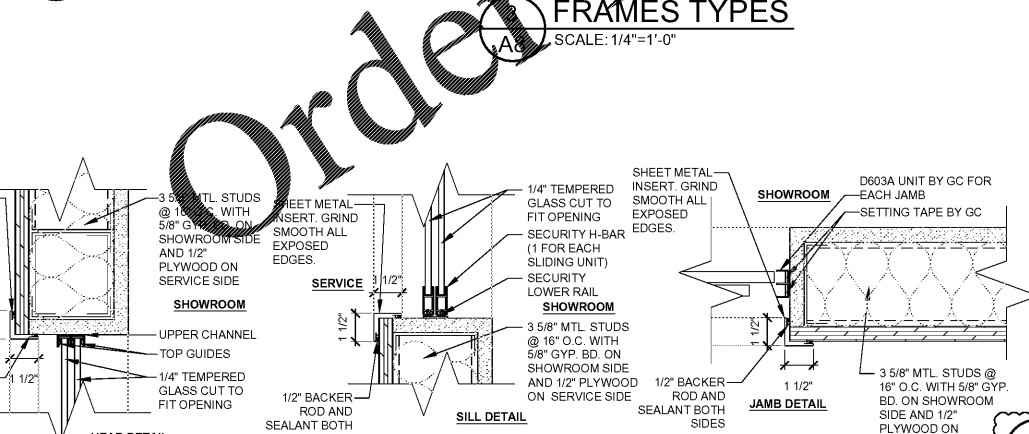


FRAMES TYPES
 SCALE: 1/4"=1'-0"

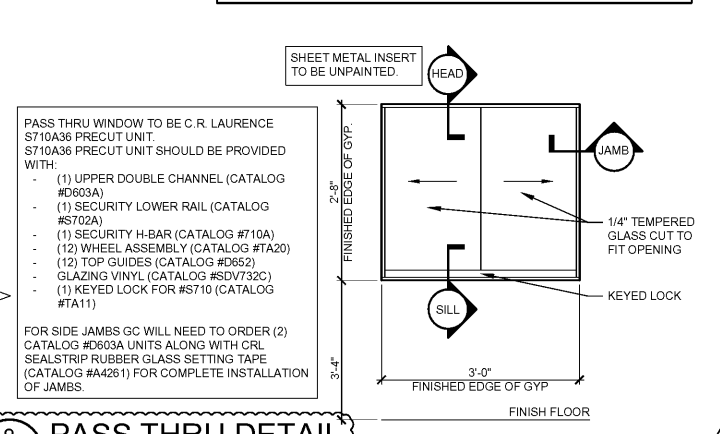


WINDOWS TYPES
 SCALE: 3/8"=1'-0"

GENERAL NOTES:
 1. ALL STOREFRONT & INTERIOR WINDOWS ARE TO BE FIELD VERIFIED PRIOR TO INSTALLATION BY G.C.
 2. PROVIDE DOUBLE PANE INSULATED GLASS FOR ALL STOREFRONT LOCATIONS.
 3. "S" INDICATES SAFETY GLASS REQUIRED. GC TO CONFIRM SAFETY GLAZING IS LABELED PER CODE.



PASS THRU DETAIL
 SCALE: NTS



FIRE SHUTTER
 SCALE: 1/4"=1'-0"

SGA Design Group, P.C.
 1437 South Boulder, Suite 550
 Tulsa, Oklahoma 74116 3809
 p 918.597.8800
 f 918.597.8801
 www.sgdsgroup.com

Firestone COMPLETE AUTO CARE

REPAIRATION OF WEAR
 THIS SERVICE IS PROVIDED FOR USE ON ALL BRANDS OF VEHICLES. WE ARE A COMPLETE SERVICE CENTER. WE WILL TAKE CARE OF ALL YOUR AUTOMOTIVE NEEDS. WE WILL TAKE CARE OF ALL YOUR AUTOMOTIVE NEEDS. WE WILL TAKE CARE OF ALL YOUR AUTOMOTIVE NEEDS.

NEW FCAC STORE
 2019 - JANUARY - SMALL I
 233 S AIRLINE HWY
 GONZALES, LA

BID SET
 11.18.19
 TRCI

11/12/2019

ISSUE BLOCK

NO.	DATE	DESCRIPTION
1	11/11/19	CB #1

PROPERTY NO.: 160013
 6 DIGIT NO.: 902556
 4 DIGIT NO.: 014W
 AOR PROJECT NUMBER: 1955827
 TO PERM: DATE: 7-30-2019
 TO BID: DATE: ###-###-###

SHEET TITLE:
ROOM FINISH AND DOOR SCHEDULES

SHEET NUMBER:
A8