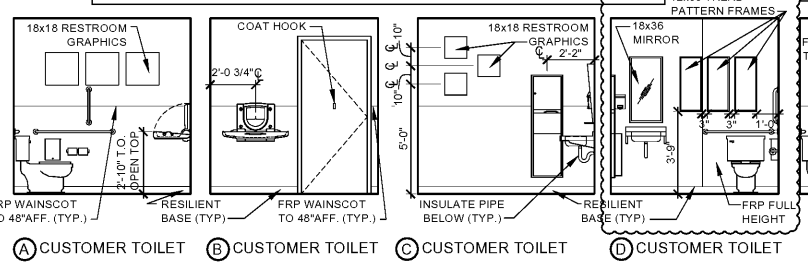
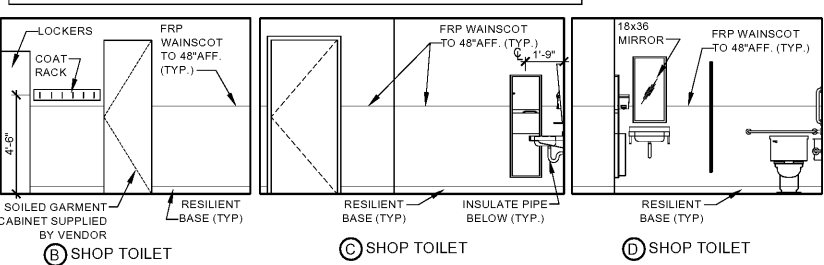


GENERAL NOTES:  
 1. SEE SHEET N1 FOR ALL CLEARANCE REQUIREMENTS AND MOUNTING HEIGHTS FOR ACCESSORIES  
 2. INSTALL WOOD BLOCKING AS REQUIRED FOR MOUNTING ACCESSORIES  
 3. COUNTERSINK ALL CABINET MOUNTING SCREWS

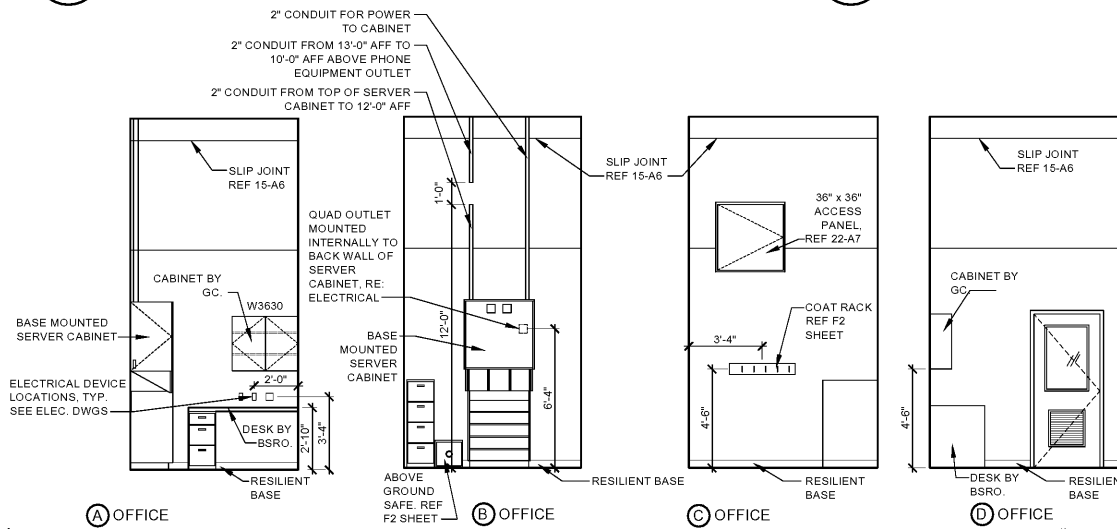


GENERAL NOTES:  
 1. SEE SHEET N1 FOR ALL CLEARANCE REQUIREMENTS AND MOUNTING HEIGHTS FOR ACCESSORIES  
 2. INSTALL WOOD BLOCKING AS REQUIRED FOR MOUNTING ACCESSORIES  
 3. COUNTERSINK ALL CABINET MOUNTING SCREWS

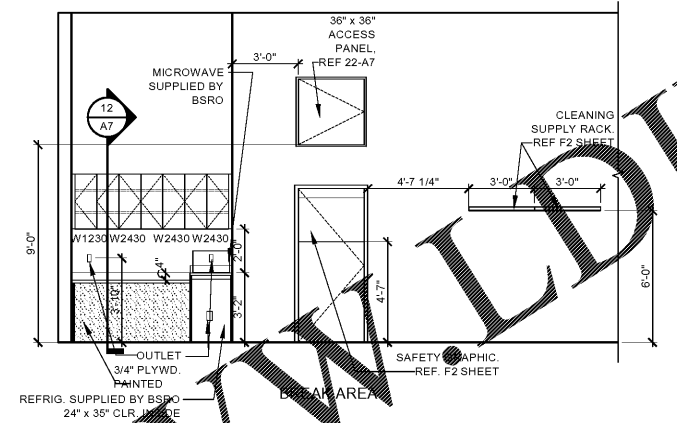


**1 INTERIOR ELEVATIONS**  
 A7 SCALE: 1/4"=1'-0"

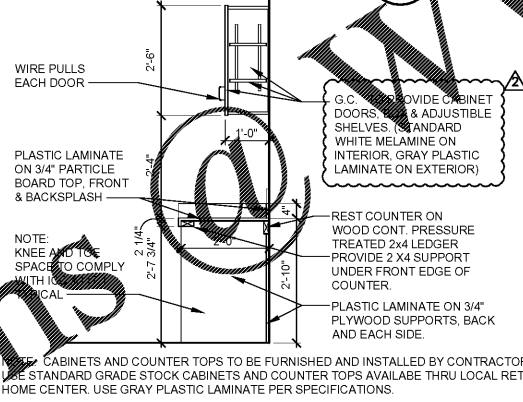
**3 INTERIOR ELEVATIONS**  
 A7 SCALE: 1/4"=1'-0"



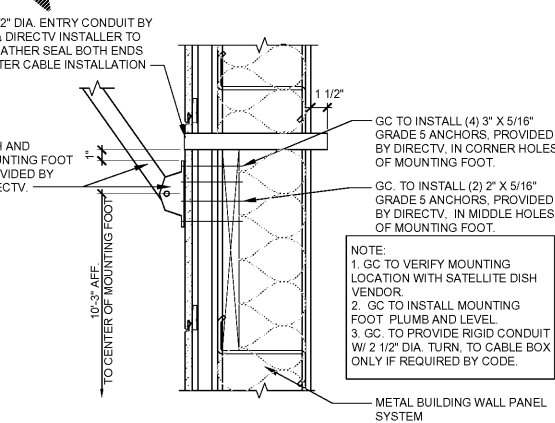
**4 INTERIOR ELEVATIONS**  
 A7 SCALE: 1/4"=1'-0"



**7 INTERIOR ELEVATIONS**  
 A7 SCALE: 1/4"=1'-0"



**12 CABINET SECTION**  
 A7 SCALE: 1/2"=1'-0"



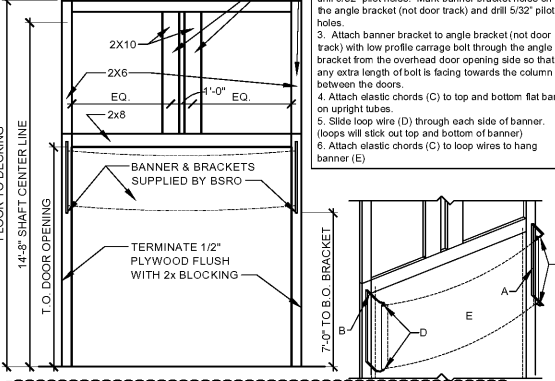
**14 SATELLITE MOUNTING DETAIL**  
 A7 SCALE: 1 1/2"=1'-0"

NOTE: G.C. TO VERIFY LOCATION OF WOOD SUPPORTS WITH INSTALLER PRIOR TO DOOR INSTALLATION. WOOD TO BE TREATED LUMBER, PAINTED TO MATCH WALL, PLYWOOD AND METAL BUILDING WALL SYSTEM.

G.C. TO INSTALL STEEL ANGLE TO GIRT AS REQUIRED TO PROVIDE NECESSARY ATTACHMENT OF 2X10s. VERIFY IN FIELD.

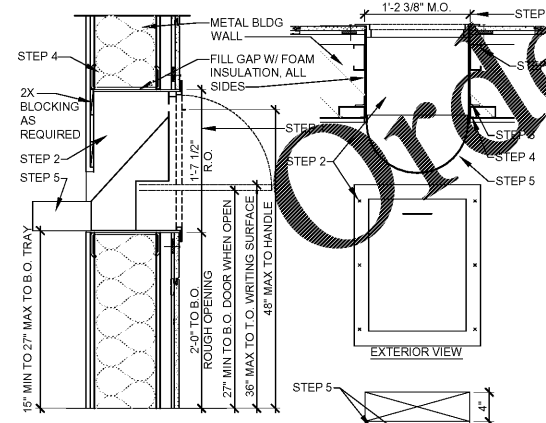
2X10 SUPPORTS TO BE RUN VERTICALLY FROM O.H. DOOR HEAD AND TO BE SECURED AT MINIMUM 3 HORIZONTAL GIRTS AS OCCURS. VERIFY IN FIELD.

**BANNER INSTALLATION INSTRUCTIONS:**  
 1. Place banner bracket adjacent to outside of the overhead door angle bracket supporting the door track (A) with the fat side of the angle on the top and leg (B) extending into the building past the door track.  
 2. Mark through holes in banner bracket and drill 5/32" pilot holes. Mark banner bracket holes on the angle bracket (not door track) and drill 5/32" pilot holes.  
 3. Attach banner bracket to angle bracket (not door track) with low profile carriage bolt through the angle bracket from the overhead door opening side so that any extra length of bolt is facing towards the column between the doors.  
 4. Attach elastic chords (C) to top and bottom flat bar on upright tubes.  
 5. Slide loop wire (D) through each side of banner. (loops will stick out top and bottom of banner)  
 6. Attach elastic chords (C) to loop wires to hang banner (E)

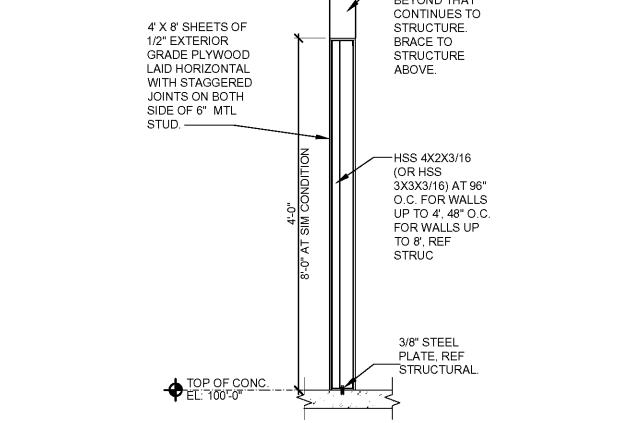


**15 OH DOOR SUPPORT DETAIL**  
 A7 SCALE: 1/4"=1'-0"

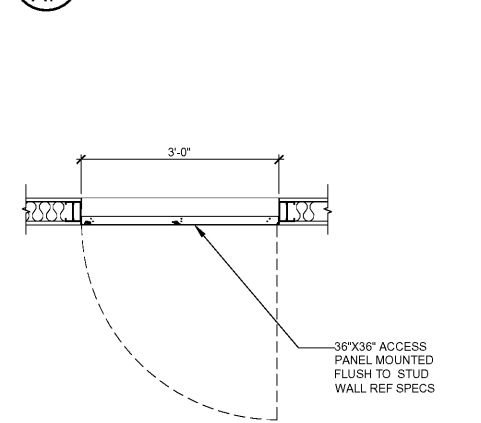
HEADER LENGTH	HEADER MEMBERS	MINIMUM EFFECTIVE PROPERTIES PER STUD
2' TO 6'	(2) 6" x 18 GAUGE	Ix = 2.042 Sx = 0.670
6' TO 8'	(2) 6" x 16 GAUGE	Ix = 2.518 Sx = 0.839
8' TO 10'	(2) 6" x 14 GAUGE	Ix = 3.094 Sx = 1.031



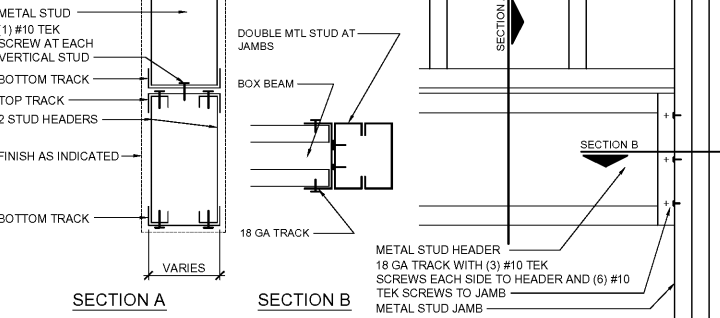
**16 KEY DROP BOX**  
 A7 SCALE: 1"=1'-0"



**21 PARTIAL HEIGHT WALL SECTION**  
 A7 SCALE: 1/2"=1'-0"



**22 ACCESS PANEL DETAIL**  
 A7 SCALE: 3/4"=1'-0"



**23 HEADER CONNECTION DETAIL**  
 A7 SCALE: 1 1/2"=1'-0"

11/12/2019 - 10:30am - 1955827.dwg  
 S:\Projects\2019\Projects\2019-01-1955827 - Gonzales & Airline\2019-01-1955827.dwg