

MATERIAL KEY
 N-1: NICHIIA VINTAGE BRICK "ALEXANDRIA BUFF"
 N-2: NICHIIA SANDSTONE "DESERT BEIGE"

- GENERAL NOTES:**
1. PROVIDE DRIP CAP OVER ALL MAN DOORS SEE DETAIL 1C/A8
 2. PAINT ALL EXPOSED LINTELS & JAMBS TO MATCH ADJACENT BUILDING COLOR.
 3. SEE ELECTRICAL FOR SIGNAGE OPERATING TIME SETUP
 4. INSTALLATION OF BUILDING SIGNS AND STREET SIGN BY SIGN VENDOR. G.C. TO PROVIDE WIRING. REFER ELECTRICAL.
 5. REFER SHEET A8 FOR PAINT COLOR KEY.
 6. ANY EXTERIOR CONSTRUCTION JOINT, EXPANSION JOINT, AND CRACK OF ABUTTING DISSIMILAR OR SAME MATERIALS MUST HAVE APPROPRIATE PRODUCT APPLIED TO PROVIDE AN AIR, MOISTURE, AND WATER TIGHT EXTERIOR. REFER TO SPECIFICATION SECTION 075200 FOR PRODUCTS.
 7. INTERMEDIATE SUPPORTS FOR ALL EXTERIOR WALL LOUVER/VENT OPENINGS TO BE PROVIDED BY MBM.

SGA Design Group, P.C.
 1437 South Boulder, Suite 550
 Tulsa, Oklahoma 74119 3809
 p. 918.597.8800
 f. 918.597.8801
 www.sgadesigngroup.com



REPRODUCTION OF THIS DRAWING IS THE PROPERTY OF BRIDGESTONE RETAIL OPERATIONS, LLC AND IS LOANED TO THE EXPRESS CONDITION THAT IT IS NOT TO BE REPRODUCED OR TRANSMITTED IN ANY FORM OR BY ANY MEANS, ELECTRONIC OR MECHANICAL, INCLUDING PHOTOCOPYING, RECORDING, OR BY ANY INFORMATION STORAGE AND RETRIEVAL SYSTEM, WITHOUT THE WRITTEN PERMISSION OF BRIDGESTONE RETAIL OPERATIONS, LLC. ANY UNAUTHORIZED REPRODUCTION OR TRANSMISSION OF THIS DRAWING IS STRICTLY PROHIBITED AND WILL BE CONSIDERED A VIOLATION OF THE LAW.

NEW FCAC STORE
 2019 - JANUARY - SMALL I
 233 S AIRLINE HWY
 GONZALES, LA

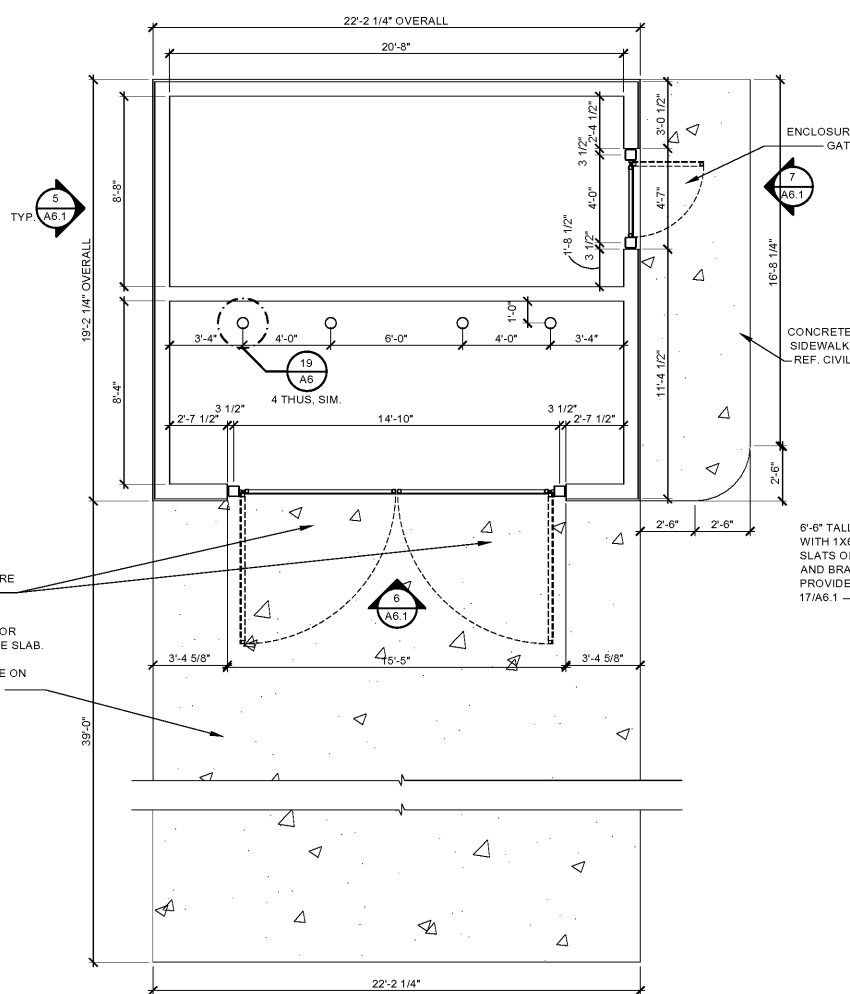
BID SET
 11.18.19
 TRCI

08/26/2019

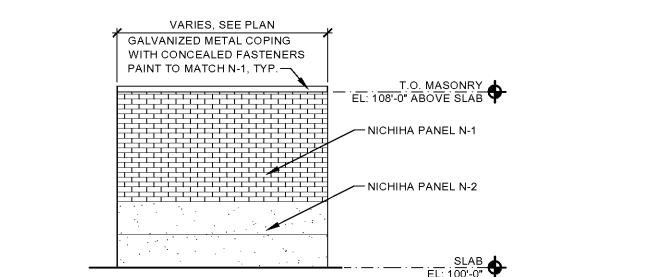
ISSUE BLOCK	

PROPERTY NO.: 160013
 6 DIGIT NO.: 902556
 4 DIGIT NO.: 014W
 AOR PROJECT NUMBER: 1955827
 TO PERMIT DATE: 7-30-2019
 TO BID DATE: ##-##-##

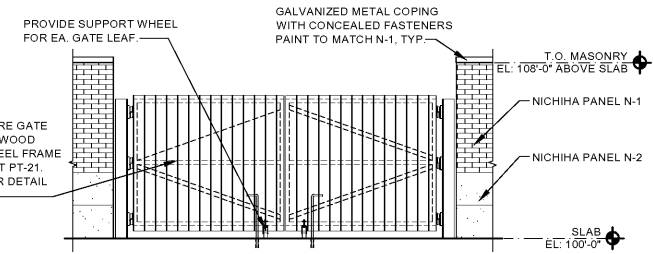
SHEET TITLE:
TRASH/TIRE ENCLOSURE DETAILS
 SHEET NUMBER:
A6.1



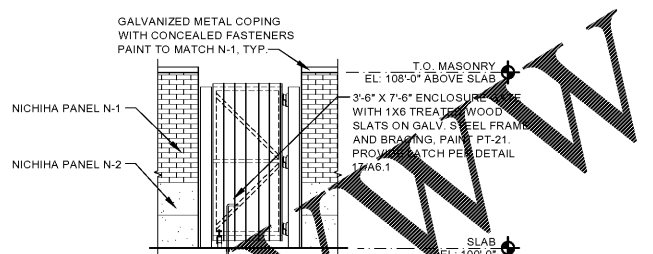
1 TRASH/TIRE ENCLOSURE PLAN
 A6.1 SCALE: 1/4"=1'-0"



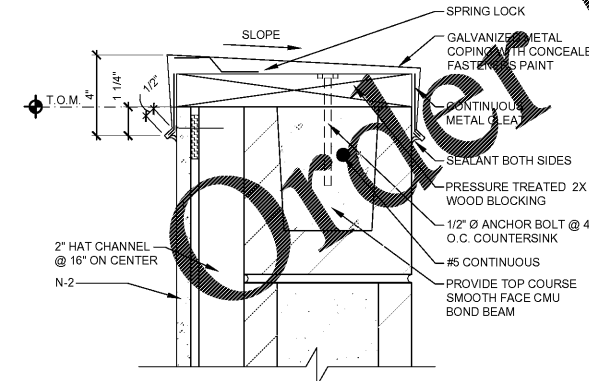
5 TYPICAL TRASH/TIRE ENCLOSURE ELEV.
 A6.1 SCALE: 1/4"=1'-0"



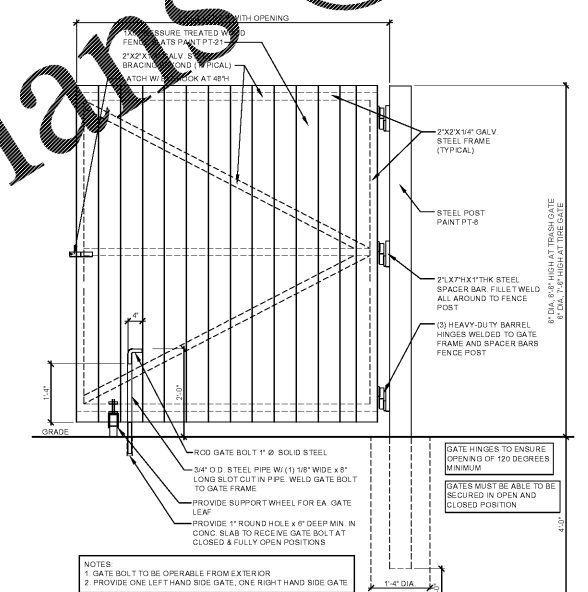
6 TRASH/TIRE ENCLOSURE ELEV.
 A6.1 SCALE: 1/4"=1'-0"



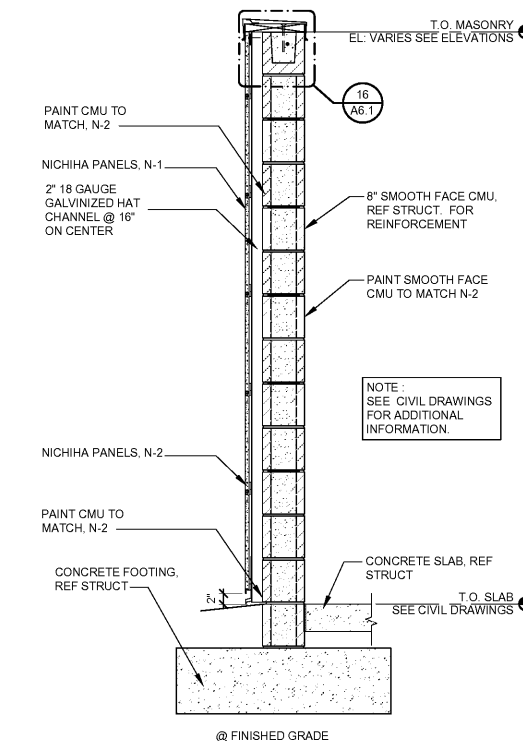
7 TRASH/TIRE ENCLOSURE ELEV.
 A6.1 SCALE: 1/4"=1'-0"



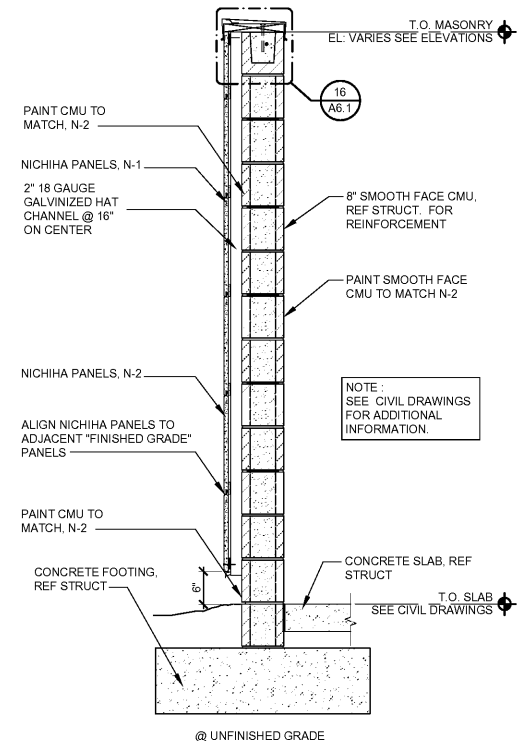
16 TRASH ENCLOSURE MASONRY CAP DETAIL
 A6.1 SCALE: 3/4"=1'-0"



17 GATE ELEVATION
 A6.1 SCALE: 3/4"=1'-0"



22 TRASH ENCLOSURE SECTION
 A6.1 SCALE: 3/4"=1'-0"



22 TRASH ENCLOSURE SECTION
 A6.1 SCALE: 3/4"=1'-0"

11/18/19 2:15 PM - P:\2019 - 2020 - FCAC - TRCI - 1955827 - 160013 - 902556 - 014W - A6.1.dwg
 Author: SGA Design Group, P.C. Designer: SGA Design Group, P.C. Checker: SGA Design Group, P.C. Plot Date: 11/18/19 2:15 PM

Order Plans @ www.LDILine.com