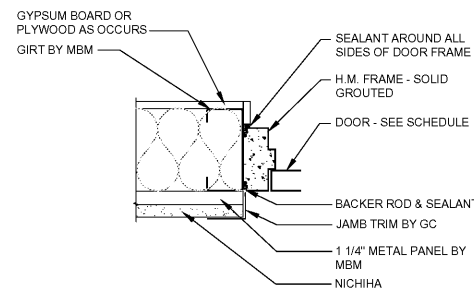
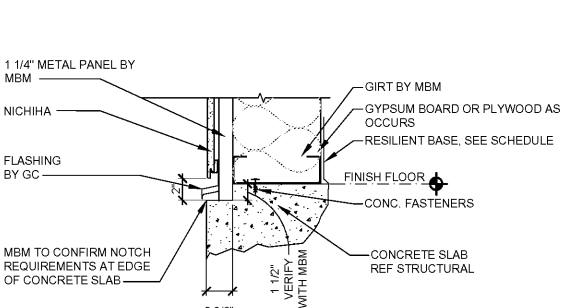


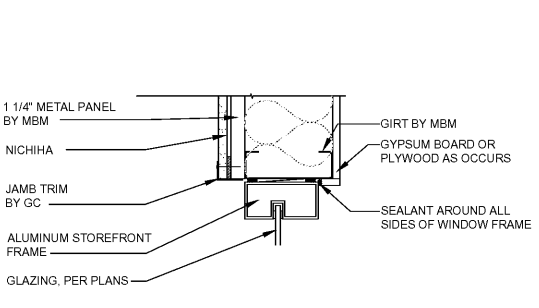
1 DOOR HEAD DETAIL
 A6 SCALE: 1 1/2"=1'-0"



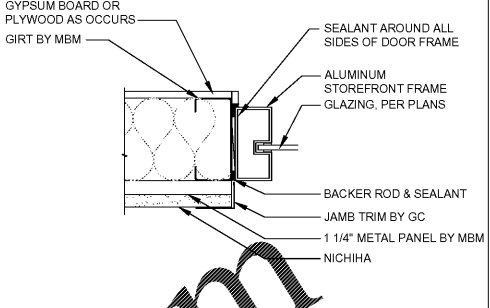
2 DOOR JAMB DETAIL
 A6 SCALE: 1 1/2"=1'-0"



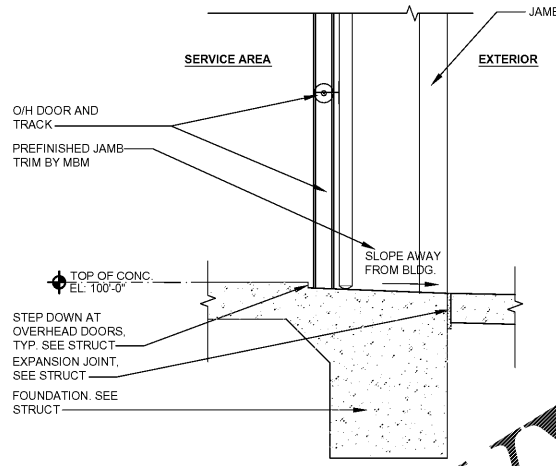
3 METAL PANEL BASE DETAIL
 A6 SCALE: 1 1/2"=1'-0"



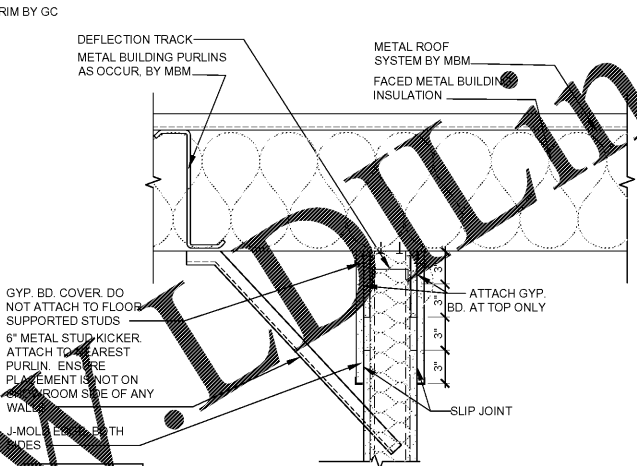
4 WINDOW HEAD DETAIL
 A6 SCALE: 1 1/2"=1'-0"



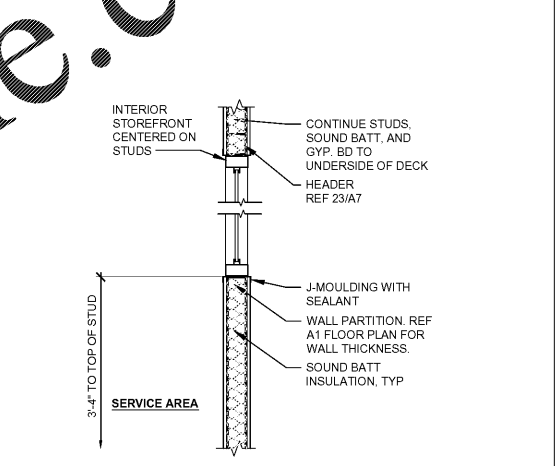
5 WINDOW JAMB DETAIL
 A6 SCALE: 1 1/2"=1'-0"



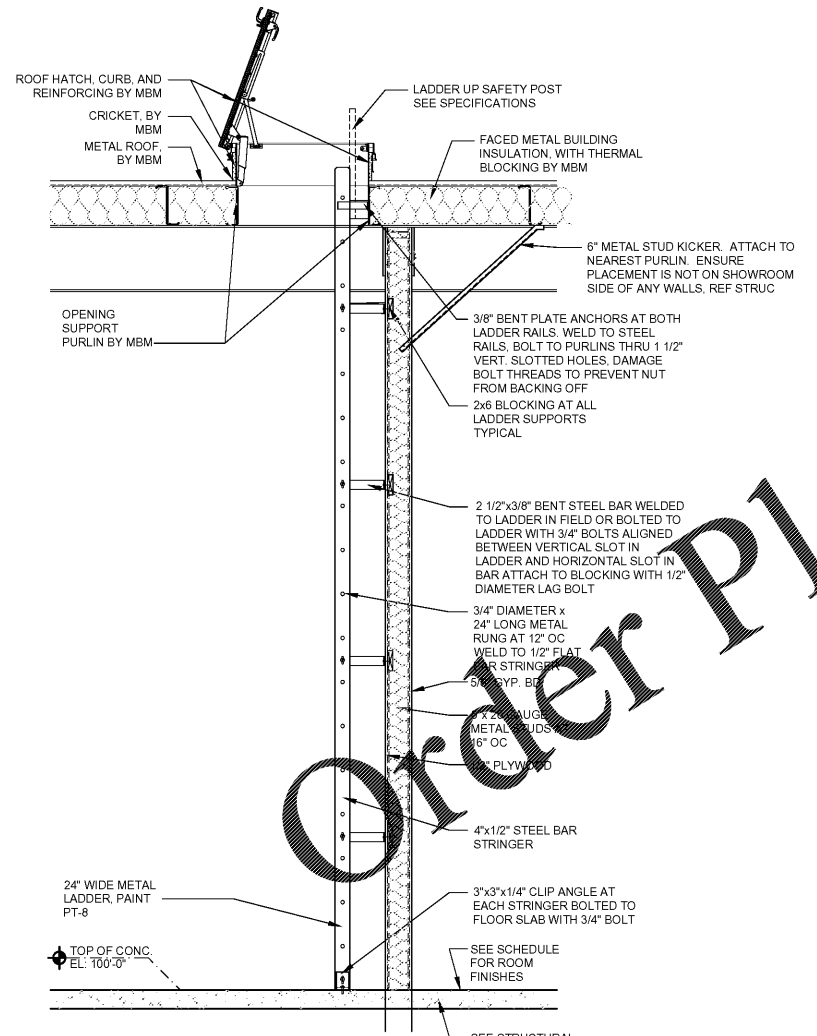
14 O.H. DOOR THRESHOLD
 A6 SCALE: 1"=1'-0"



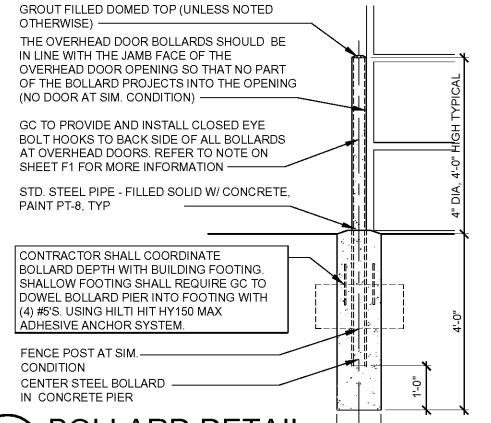
15 SECTION @ T.O. WALL
 A6 SCALE: 1 1/2"=1'-0"



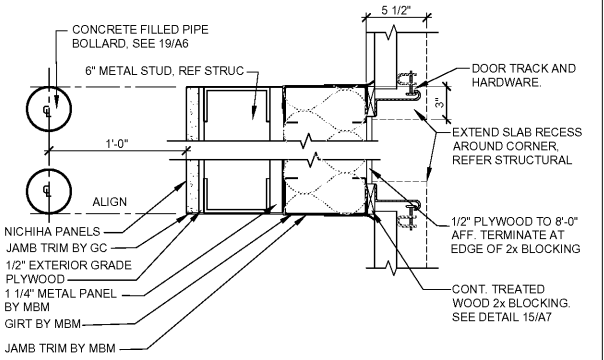
16 SECTION AT WINDOW
 A6 SCALE: 3/4"=1'-0"



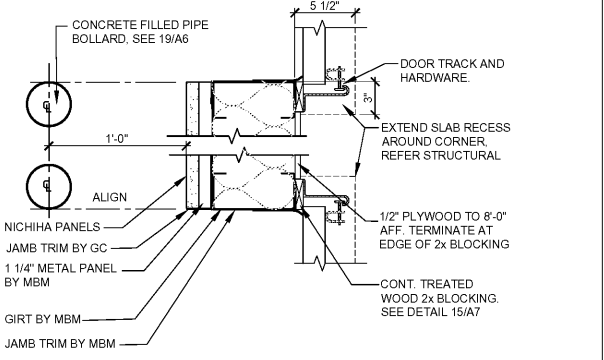
10 WALL SECTION
 A6 SCALE: 1/2"=1'-0"



19 BOLLARD DETAIL
 A6 SCALE: 1/2"=1'-0"



20 OVERHEAD DOOR PIER
 A6 SCALE: 1 1/2"=1'-0"



20 OVERHEAD DOOR PIER
 A6 SCALE: 1 1/2"=1'-0"

11/18/19
 SGA DESIGN GROUP, P.C.
 1437 SOUTH BOULDER, SUITE 550
 TULSA, OKLAHOMA 74118-3809
 P. 918.597.8800
 F. 918.597.8801
 WWW.SGADDESIGNGROUP.COM

Order Plans @ WWW.IDLINE.COM