

- GENERAL NOTES:**
1. PROVIDE DRIP CAP OVER ALL MAN DOORS SEE DETAIL 1C/A8
 2. PAINT ALL EXPOSED LINTELS & JAMBS TO MATCH ADJACENT BUILDING COLOR.
 3. SEE ELECTRICAL FOR SIGNAGE OPERATING TIME SETUP
 4. INSTALLATION OF BUILDING SIGNS AND STREET SIGN BY SIGN VENDOR, G.C. TO PROVIDE WIRING. REFER ELECTRICAL.
 5. REFER SHEET A8 FOR PAINT COLOR KEY.
 6. ANY EXTERIOR CONSTRUCTION JOINT, EXPANSION JOINT, AND CRACK OF ABUTTING DISSIMILAR OR SAME MATERIALS MUST HAVE APPROPRIATE PRODUCT APPLIED TO PROVIDE AN AIR, MOISTURE, AND WATER TIGHT EXTERIOR. REFER TO SPECIFICATION SECTION 075200 FOR PRODUCTS.
 7. INTERMEDIATE SUPPORTS FOR ALL EXTERIOR WALL LOUVER/VENT OPENINGS TO BE PROVIDED BY MBM.

SGA Design Group, P.C.
 1437 South Boulder, Suite 550
 Tulsa, Oklahoma 74118-3609
 p. 918.597.8600
 f. 918.597.8601
 www.sgadesigngroup.com



REPRODUCTION OF THIS DRAWING IS PROHIBITED WITHOUT THE WRITTEN PERMISSION OF SGA DESIGN GROUP, P.C. THIS DRAWING IS THE PROPERTY OF SGA DESIGN GROUP, P.C. AND IS LOANED TO THE EXPRESS CONDITION THAT IT IS NOT TO BE USED IN ANY WAY DEVIATING FROM THE INTERESTS OF BROGESTONE RETAIL OPERATIONS, L.L.C. WITHOUT THE WRITTEN PERMISSION OF SGA DESIGN GROUP, P.C. ADMISSION TO THE EXCLUSIVE OWNERSHIP PLANS TO THE DRAWING BY BROGESTONE RETAIL OPERATIONS, L.L.C.

NEW FCAC STORE
 2019 - JANUARY - SMALL I
 233 S AIRLINE HWY
 GONZALES, LA

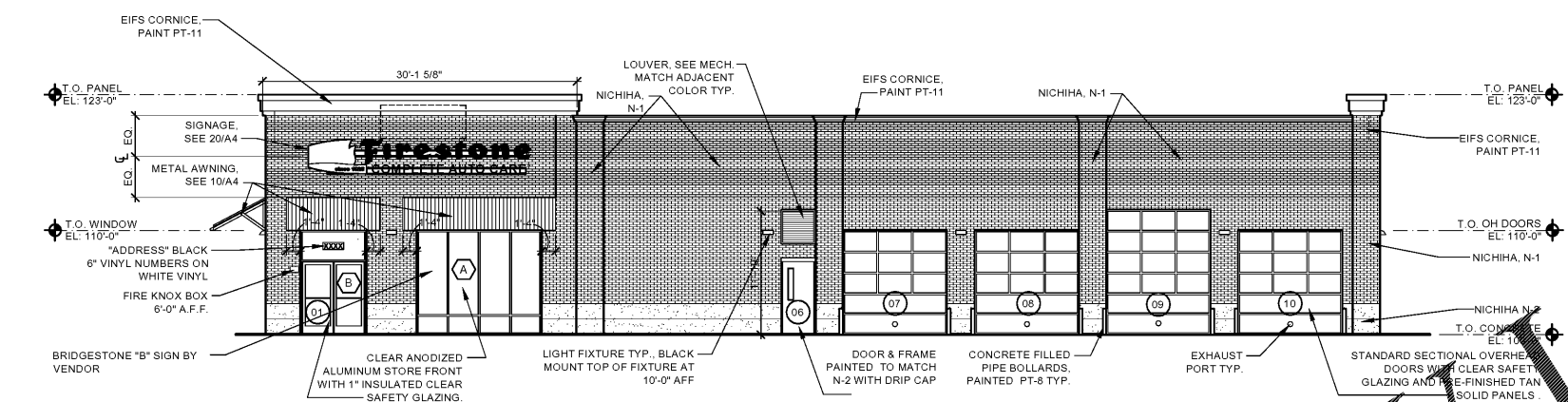
BID SET
 11.18.19
 TRCI

 08/26/2019

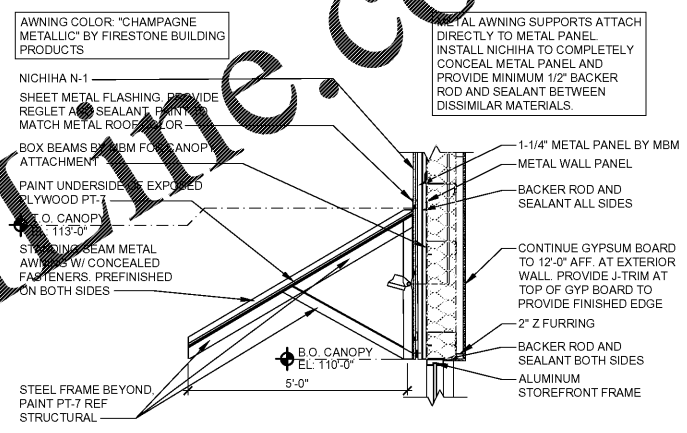
ISSUE BLOCK	

PROPERTY NO.: 160013
 6 DIGIT NO.: 902556
 4 DIGIT NO.: 014W
 AOR PROJECT NUMBER: 1955827
 TO PERMIT DATE: 7-30-2019
 TO BID DATE: ##-##-##

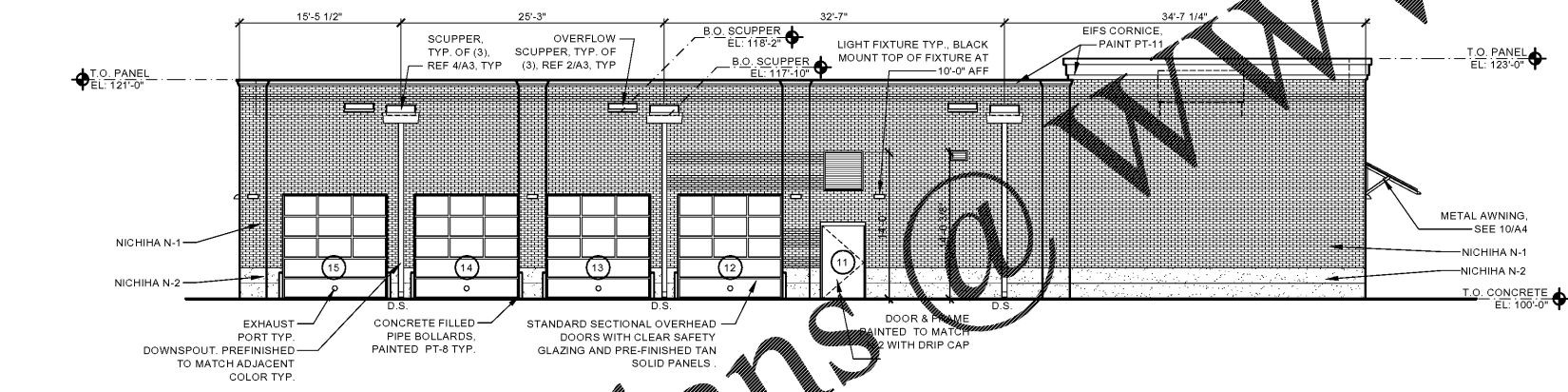
SHEET TITLE:
EXTERIOR ELEVATIONS & DETAILS
 SHEET NUMBER:
A4



1 (NORTH) ELEVATION
 SCALE: 1/8"=1'-0"



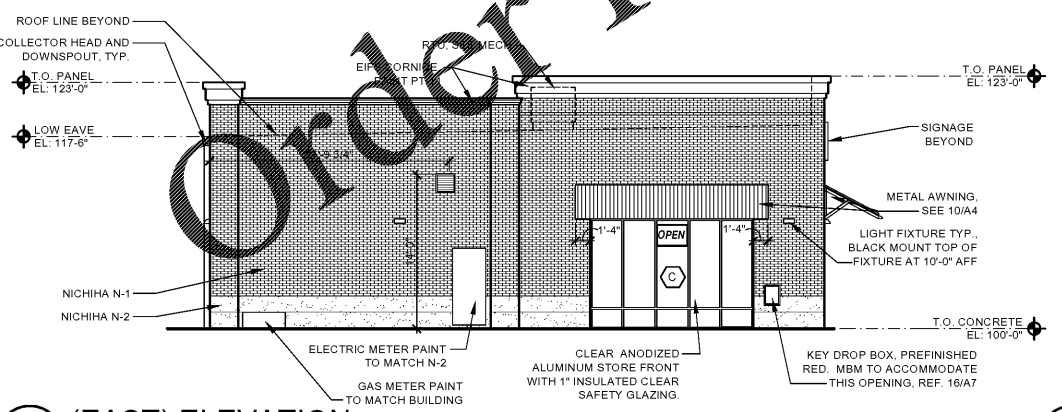
10 METAL AWNING SECTION
 SCALE: 1/2"=1'-0"



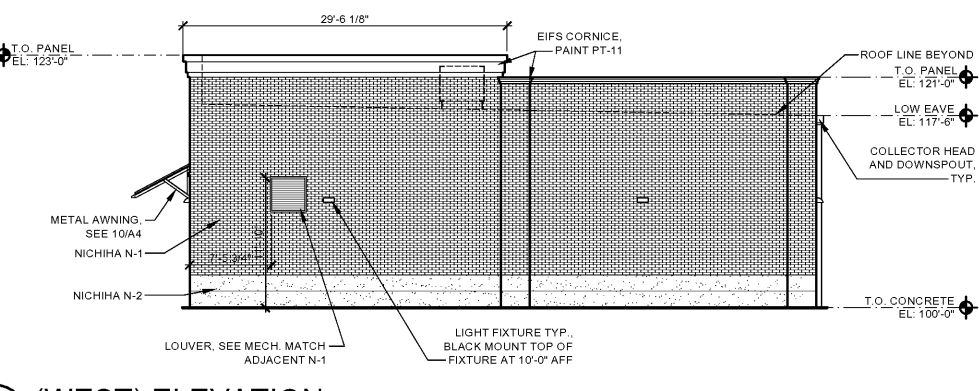
6 (SOUTH) ELEVATION
 SCALE: 1/8"=1'-0"



20 SIGNAGE DETAIL
 SCALE: 1/4"=1'-0"



11 (EAST) ELEVATION
 SCALE: 1/8"=1'-0"



16 (WEST) ELEVATION
 SCALE: 1/8"=1'-0"

Order Plans @ WWW.LDLINE.COM

www.lldline.com - 317.200.1000 - 10/2018 - 10/2019 - 10/2020 - 10/2021 - 10/2022 - 10/2023 - 10/2024 - 10/2025 - 10/2026 - 10/2027 - 10/2028 - 10/2029 - 10/2030 - 10/2031 - 10/2032 - 10/2033 - 10/2034 - 10/2035 - 10/2036 - 10/2037 - 10/2038 - 10/2039 - 10/2040 - 10/2041 - 10/2042 - 10/2043 - 10/2044 - 10/2045 - 10/2046 - 10/2047 - 10/2048 - 10/2049 - 10/2050 - 10/2051 - 10/2052 - 10/2053 - 10/2054 - 10/2055 - 10/2056 - 10/2057 - 10/2058 - 10/2059 - 10/2060 - 10/2061 - 10/2062 - 10/2063 - 10/2064 - 10/2065 - 10/2066 - 10/2067 - 10/2068 - 10/2069 - 10/2070 - 10/2071 - 10/2072 - 10/2073 - 10/2074 - 10/2075 - 10/2076 - 10/2077 - 10/2078 - 10/2079 - 10/2080 - 10/2081 - 10/2082 - 10/2083 - 10/2084 - 10/2085 - 10/2086 - 10/2087 - 10/2088 - 10/2089 - 10/2090 - 10/2091 - 10/2092 - 10/2093 - 10/2094 - 10/2095 - 10/2096 - 10/2097 - 10/2098 - 10/2099 - 10/2100