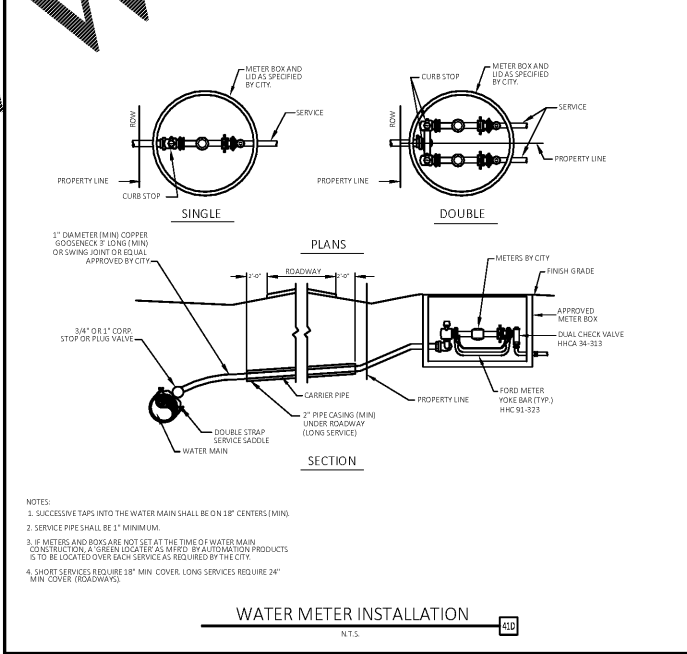
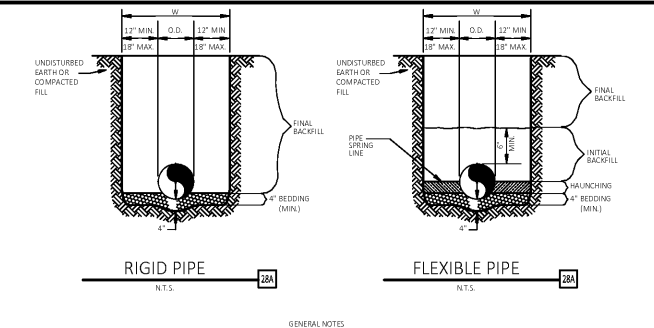
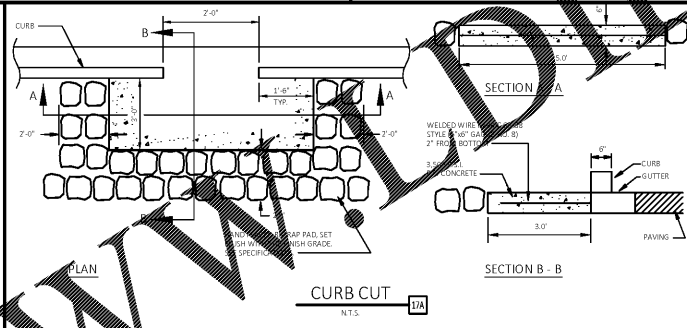
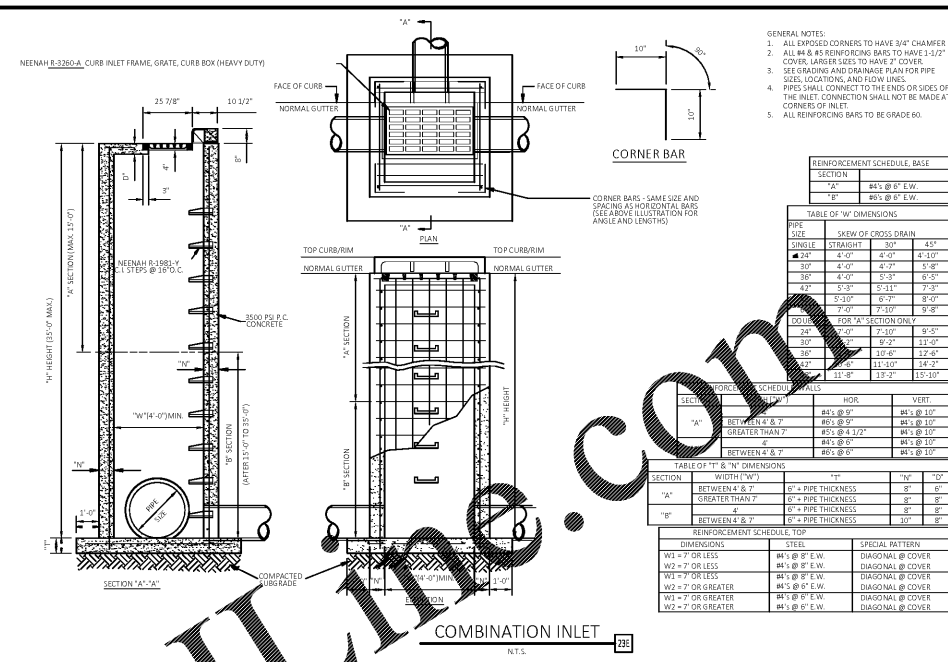
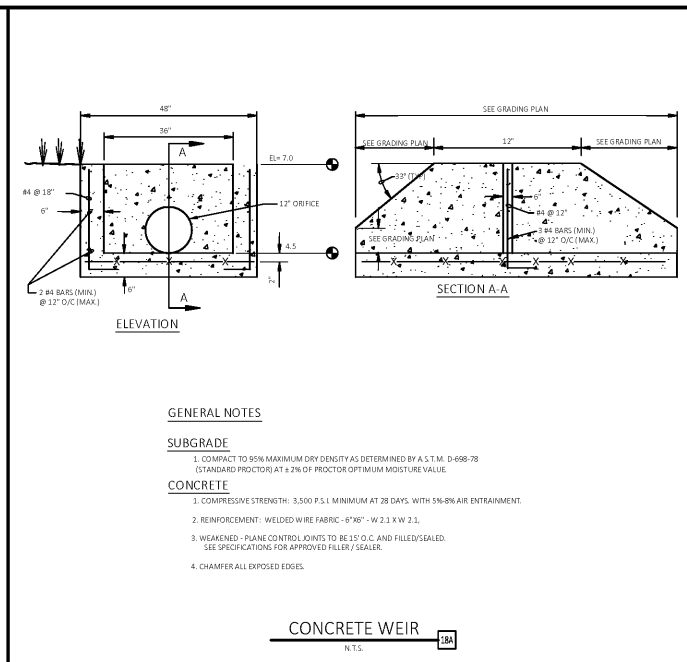


Order Plans @ WWW.WLDRAWING.COM



Engineering Associates, Inc.  
**Firestone COMPLETE AUTO CARE**  
 1500 S. AIRLINES HWY. SUITE 100  
 GONZALES, LA 70702

**NEW FCAC STORE**  
 8 BAY - FCAC - I RIGT  
 233 S. AIRLINES HWY  
 GONZALES, LA



6 DIGIT NO.: 902556  
 4 DIGIT NO.: 014W  
 ENTITY ID NO.: 1392476  
 SITE ID NO.: 2496

FILE NAME: 31214 CS.dwg  
 CEI PROJECT NUMBER: 31214  
 REVISION: REV-1 DATE: 9/11/19  
 REVISION #1 - 9/11/19

**BID SET**  
 11.18.19  
 TROI

SHEET TITLE:  
**DETAIL SHEET II**

SHEET NUMBER:  
**C8**