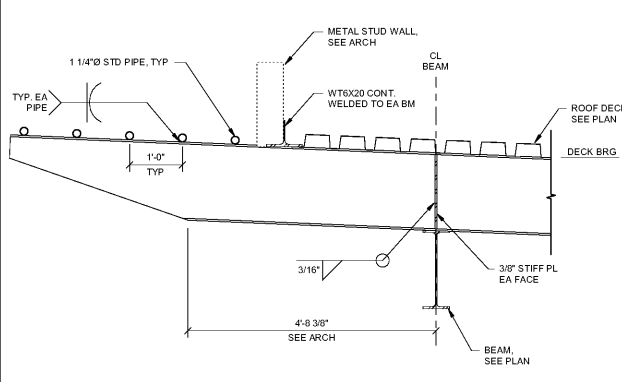
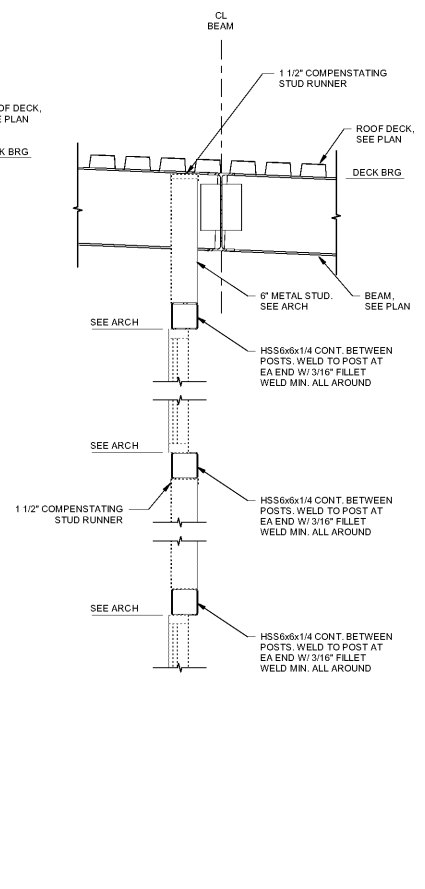


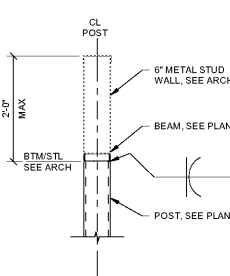
20 HIGH ROOF SECTION AT CANTILEVER
S5-05 3/4" = 1'-0"



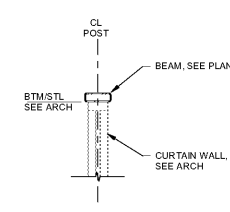
15 HIGH ROOF SECTION AT CURTAIN WALL
S5-05 3/4" = 1'-0"



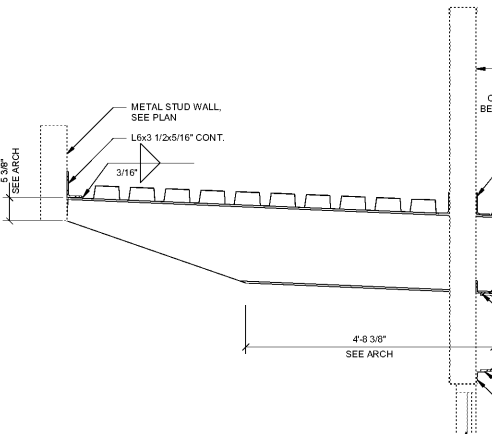
11 SECTION AT MEDIA CENTER RADIAL WALL
S5-05 3/4" = 1'-0"



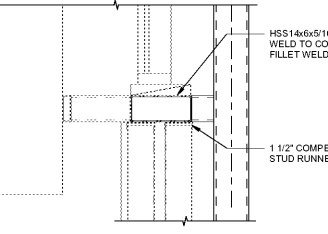
10 SECTION AT MEDIA CENTER RADIAL WALL AT CURTAIN WALL
S5-05 3/4" = 1'-0"



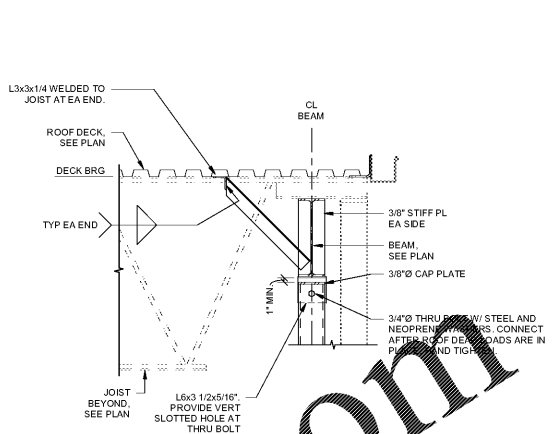
8 HIGH ROOF SECTION AT PART A
S5-05 3/4" = 1'-0"



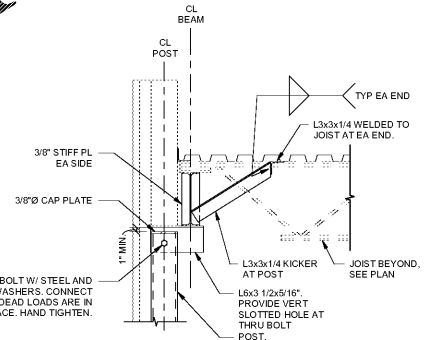
6 CAFETERIA ROOF SECTION
S5-05 3/4" = 1'-0"



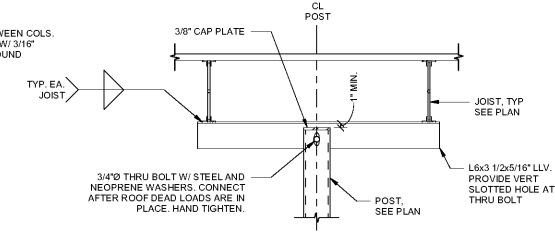
4 POST BRACING DETAIL AT BEAM AT HIGH ROOF
S5-05 3/4" = 1'-0"



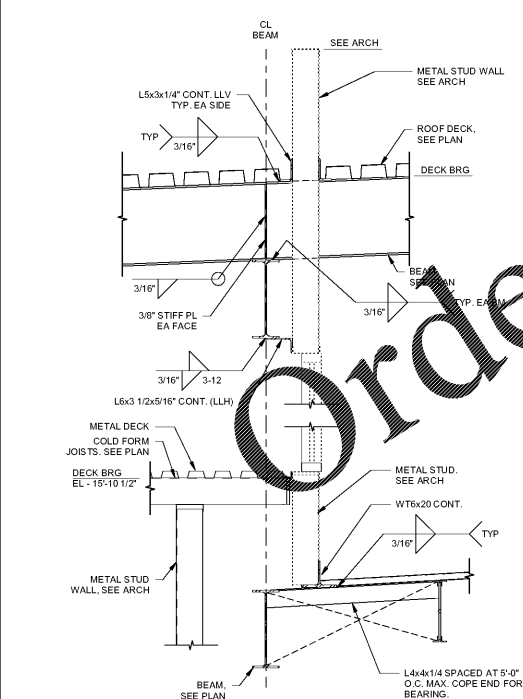
3 POST BRACING DETAIL AT BEAM
S5-05 3/4" = 1'-0"



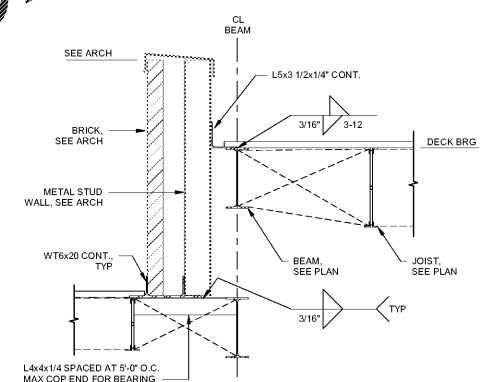
2 POST BRACING DETAIL
S5-05 3/4" = 1'-0"



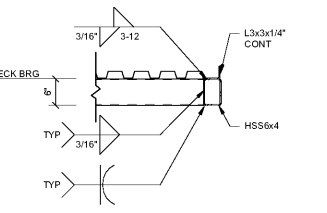
17 ROOF SECTION AT HIGH LOW ROOF
S5-05 3/4" = 1'-0"



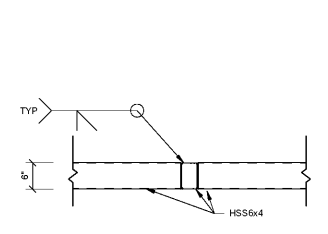
13 ROOF SECTION AT LOW ROOF
S5-05 3/4" = 1'-0"



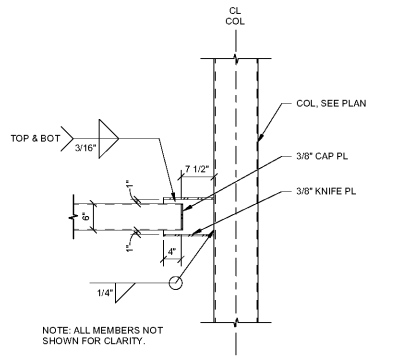
9 TYPICAL FRAMING SECTION AT BUS CANOPY
S5-05 3/4" = 1'-0"



5 MOMENT CONNECTION AT BUS CANOPY
S5-05 3/4" = 1'-0"



1 TYPICAL COLOUMN CONNECTION AT BUS CANOPY
S5-05 3/4" = 1'-0"



Smallwood, Reynolds, Stewart, & Associates, Inc. Architects
 One Piedmont Center, Suite 303 3565 Piedmont Road Atlanta, Georgia 30305

RCPS
 REYNOLDS COUNTY PUBLIC SCHOOLS
 COUNTY BOARD OF EDUCATION
 1000 W. MARKET STREET, SUITE 100
 WASHINGTON, GA 30691
 TEL: 770.531.4100
 WWW.RCSK12.ORG

REV. NO.	DATE	REVISIONS / PRINTED
1	10.01.2019	ISSUED FOR CONSTRUCTION
2	10.01.2019	ISSUED FOR CONSTRUCTION
3	10.01.2019	ISSUED FOR CONSTRUCTION
4	10.01.2019	ISSUED FOR CONSTRUCTION
5	10.01.2019	ISSUED FOR CONSTRUCTION
6	10.01.2019	ISSUED FOR CONSTRUCTION
7	10.01.2019	ISSUED FOR CONSTRUCTION
8	10.01.2019	ISSUED FOR CONSTRUCTION
9	10.01.2019	ISSUED FOR CONSTRUCTION
10	10.01.2019	ISSUED FOR CONSTRUCTION
11	10.01.2019	ISSUED FOR CONSTRUCTION
12	10.01.2019	ISSUED FOR CONSTRUCTION
13	10.01.2019	ISSUED FOR CONSTRUCTION
14	10.01.2019	ISSUED FOR CONSTRUCTION
15	10.01.2019	ISSUED FOR CONSTRUCTION
16	10.01.2019	ISSUED FOR CONSTRUCTION
17	10.01.2019	ISSUED FOR CONSTRUCTION
18	10.01.2019	ISSUED FOR CONSTRUCTION
19	10.01.2019	ISSUED FOR CONSTRUCTION
20	10.01.2019	ISSUED FOR CONSTRUCTION

INSTRUCTIONAL UNIT	REVISIONS / PRINTED
REGULAR CLASSROOMS	46
REGULAR PLEX AREAS	4
MUSIC	1
PHYSICAL EDUCATION	1
ART	1
LABORATORY	1
CAFETERIA	1
LIBRARY	1
TOTAL	61

DATE: 10.01.2019
 JOB NO: 218036.00
 SHEET NO: S5-05