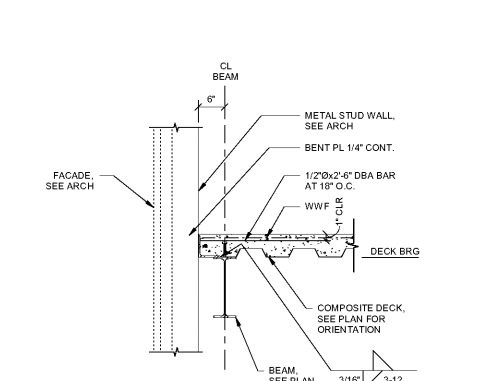
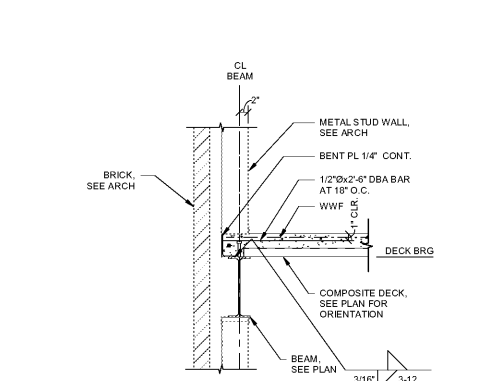


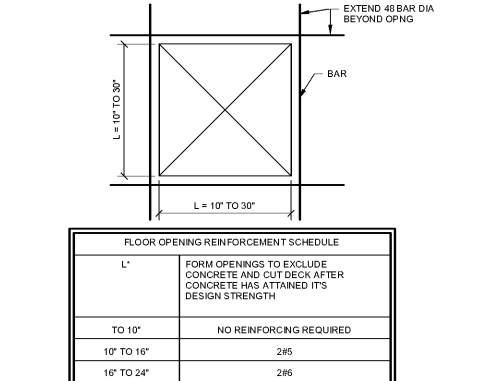
16 SECTION AT COMPOSITE EDGE
3/4" = 1'-0"



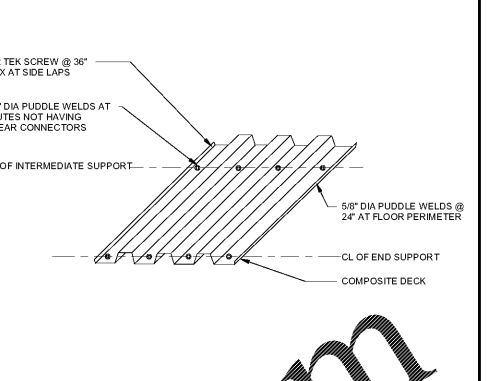
12 COMPOSITE EDGE SECTION
3/4" = 1'-0"



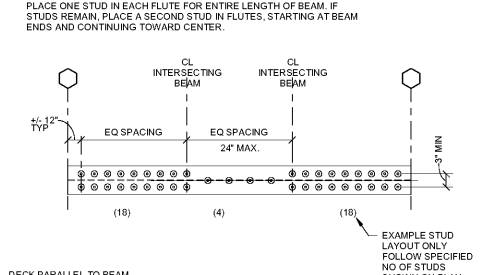
11 SECTION AT COMPOSITE EDGE AT EXPANSION JOINT
3/4" = 1'-0"



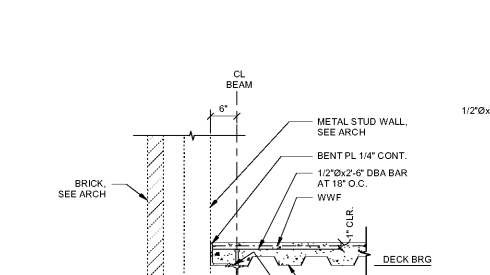
7 SECTION AT COMPOSITE EDGE AT BRIDGE
3/4" = 1'-0"



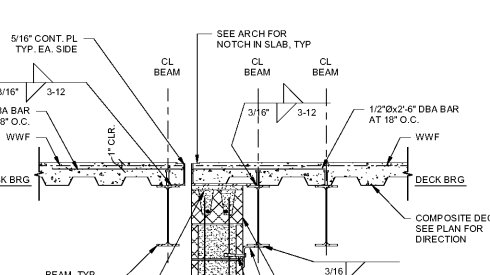
3 COMPOSITE EDGE SECTION AT EXPANSION JOINT
3/4" = 1'-0"



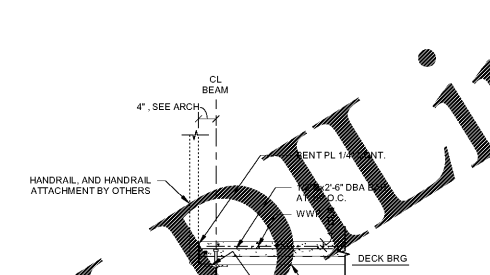
19 TYPICAL STUD PLACEMENT AT METAL DECK
3/4" = 1'-0"



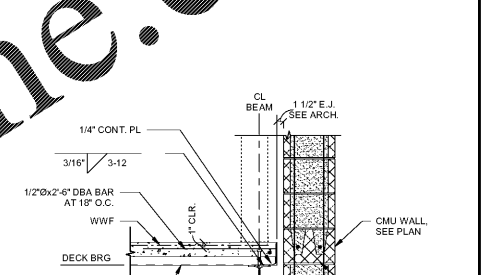
15 SECTION AT COMPOSITE EDGE AT BRICK VENEER
3/4" = 1'-0"



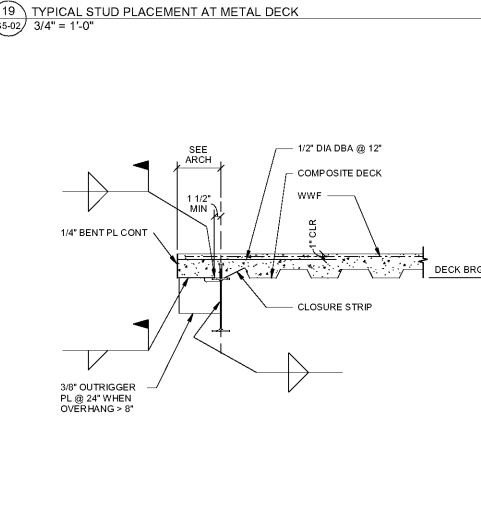
11 SECTION AT COMPOSITE EDGE AT EXPANSION JOINT
3/4" = 1'-0"



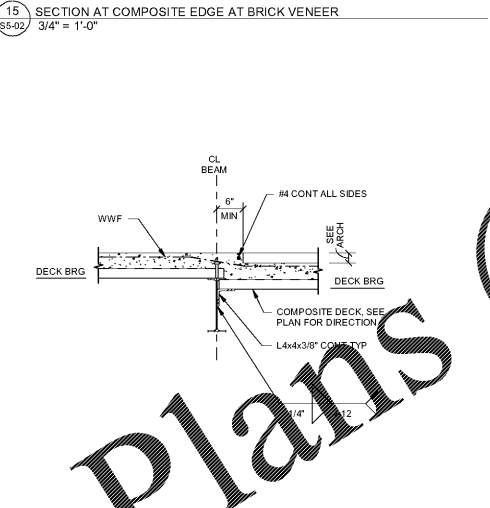
7 SECTION AT COMPOSITE EDGE AT BRIDGE
3/4" = 1'-0"



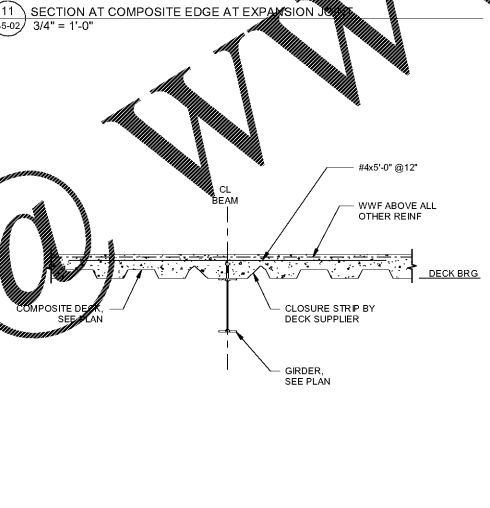
3 COMPOSITE EDGE SECTION AT EXPANSION JOINT
3/4" = 1'-0"



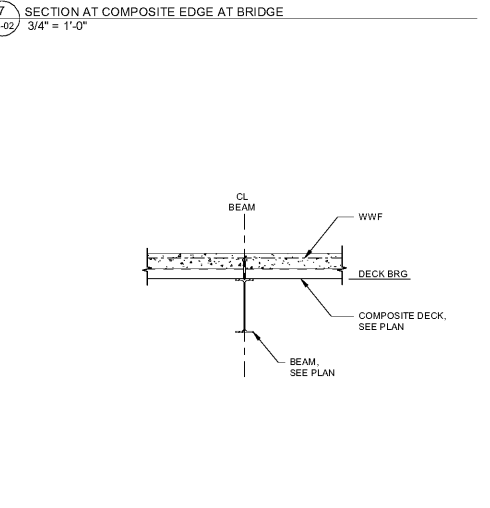
18 TYPICAL COMPOSITE SLAB AT INTERIOR AND EXTERIOR SLAB EDGES
3/4" = 1'-0"



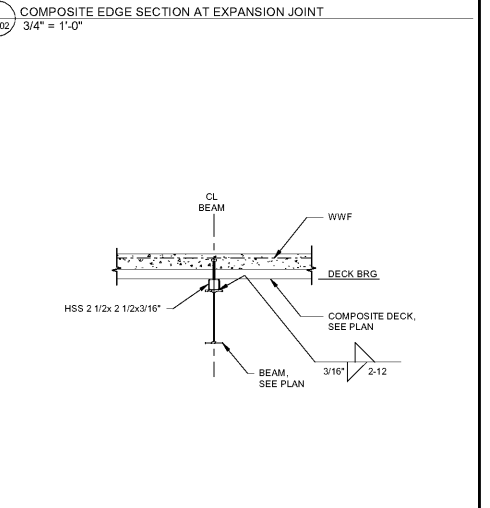
14 TYPICAL COMPOSITE SLAB AT DEPRESSION
3/4" = 1'-0"



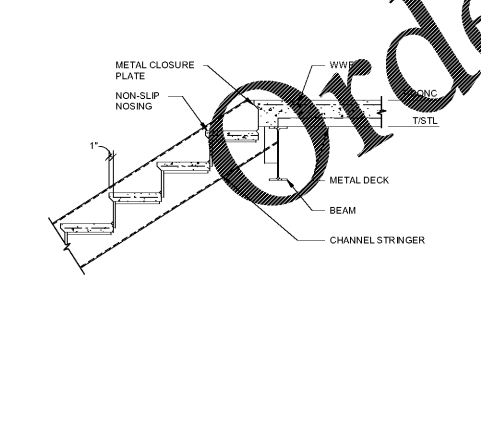
10 TYPICAL COMPOSITE SLAB AT INTERIOR GIRDER
3/4" = 1'-0"



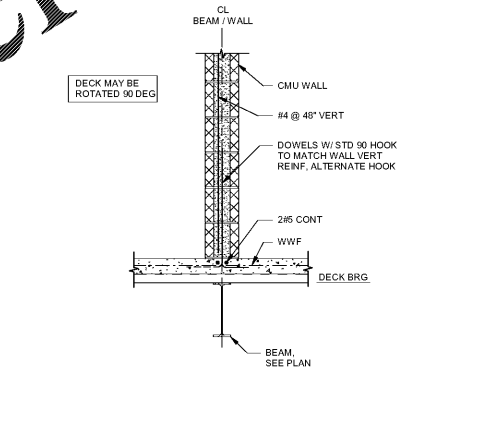
6 TYPICAL COMPOSITE SLAB AT INTERIOR BEAM
3/4" = 1'-0"



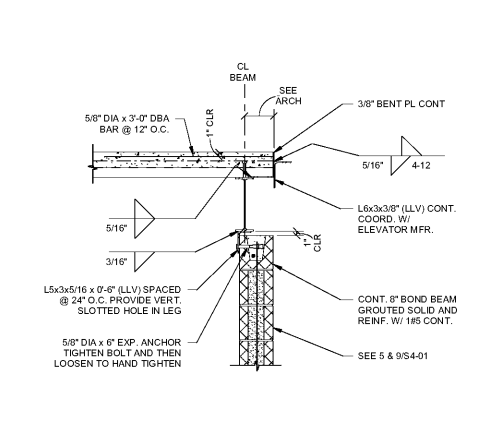
2 SECTION AT DROP IN FRAMED FLOOR SLAB
3/4" = 1'-0"



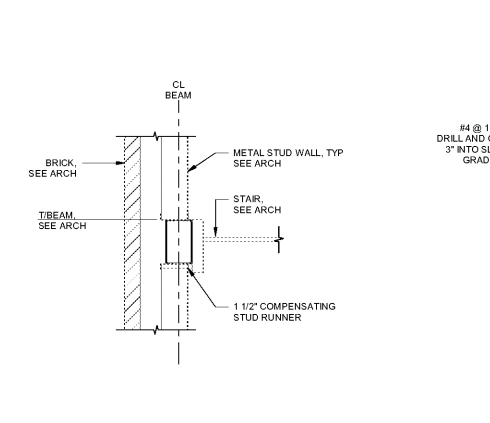
17 TYPICAL STAIR TREAD DIAGRAM
3/4" = 1'-0"



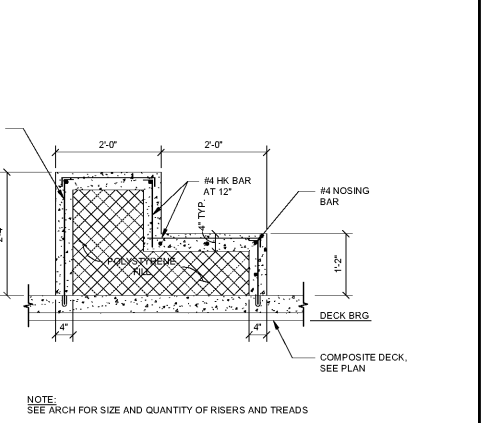
13 TYPICAL REINFORCEMENT AT INTERIOR CMU WALL AT COMPOSITE SLAB
3/4" = 1'-0"



9 ELEVATOR SILL DETAIL
3/4" = 1'-0"



5 SECTION AT STAIR
3/4" = 1'-0"



1 SECTION AT CAST IN PLACE SEATING/STAIR
3/4" = 1'-0"

FLOOR OPENING REINFORCEMENT SCHEDULE	
FORM OPENINGS TO EXCLUDE CONCRETE AND CUT DECK AFTER CONCRETE HAS ATTAINED ITS DESIGN STRENGTH	
TO 10"	NO REINFORCING REQUIRED
10' TO 16"	2#5
16' TO 24"	2#6
24' TO 30"	2#7
OVER 30"	REQUIRES STRUCTURAL STEEL FRAME

L' IS MEASURED AT RIGHT ANGLE TO FLOOR DECK SPAN

8 TYPICAL REINFORCING AT FLOOR OPENING (30 INCHES OR LESS)
3/4" = 1'-0"

4 TYPICAL FLOOR DECK ATTACHMENT AT MIDDLE WELDS
3/4" = 1'-0"

Order Plans

WWW.LDLINE.COM

One Piedmont Center, Suite 303 3565 Piedmont Road Atlanta, Georgia 30305

REVISIONS / PRINTED

REV. NO.	DATE	REMARKS
05-02	10.01.2019	ISSUED FOR PERMIT/ISSUE P&I

INSTRUCTIONAL UNITS

UNIT	REVISIONS	TOTAL
46	1	1
47	1	1
48	1	1
49	1	1
50	1	1
51	1	1
52	1	1
53	1	1
54	1	1
55	1	1
56	1	1
57	1	1
58	1	1
59	1	1
60	1	1
61	1	1
62	1	1
63	1	1
64	1	1
65	1	1
66	1	1
67	1	1
68	1	1
69	1	1
70	1	1
71	1	1
72	1	1
73	1	1
74	1	1
75	1	1
76	1	1
77	1	1
78	1	1
79	1	1
80	1	1
81	1	1
82	1	1
83	1	1
84	1	1
85	1	1
86	1	1
87	1	1
88	1	1
89	1	1
90	1	1
91	1	1
92	1	1
93	1	1
94	1	1
95	1	1
96	1	1
97	1	1
98	1	1
99	1	1
100	1	1

PROJECT SUMMARY

SCHOOL: J.H. HOUSE ELEMENTARY SCHOOL
 GRADE: PRE-K THROUGH 5TH
 C.O.D. # 1 TO BE ASSIGNED

COVERED AREAS (I.E. CANOPIES)

AREA	AREA (SQ FT)
1	71,153 SF
2	3,238 SF
3	106,531 SF
TOTAL	180,922 SF

RCPS

STEWART & ASSOCIATES, INC.

FRAMING DETAILS

J.H. HOUSE ELEMENTARY SCHOOL
 3100 Zingira Road NE, Conyers, GA 30012

DATE: 10.01.2019

JOB NO: 218036.00

SHEET NO: S5-02

ISSUED FOR CONSTRUCTION