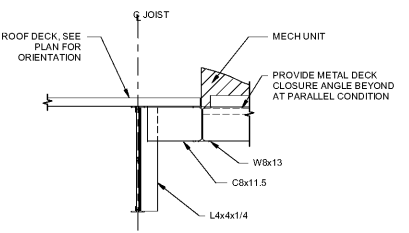
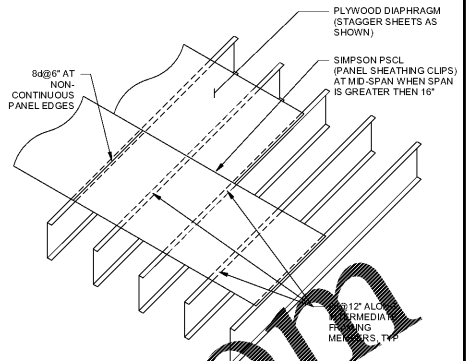


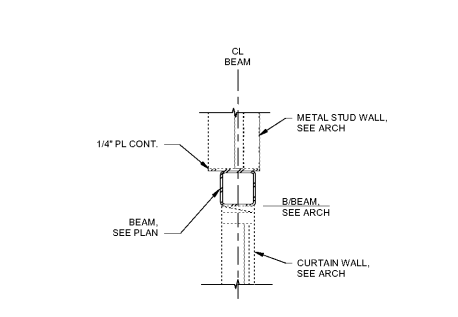
20 TYPICAL CONTINUOUS BEAM SHEAR SPLICE
3/4" = 1'-0"



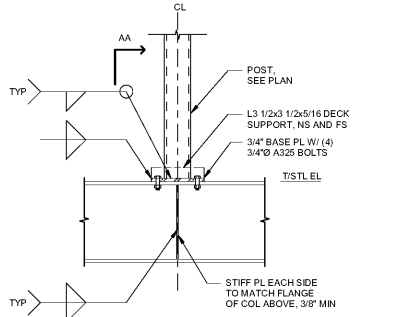
8 TYPICAL ROOF DECK AT METAL MECHANICAL UNIT SUPPORT
3/4" = 1'-0"



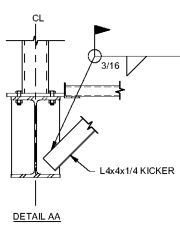
4 MEZZANINE DIAPHRAGM DETAIL
3/4" = 1'-0"



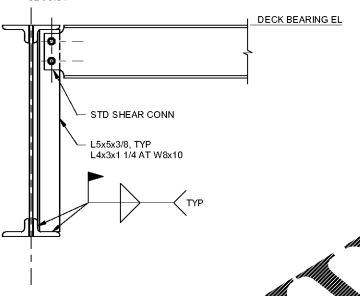
19 SECTION AT CURTAIN WALL
3/4" = 1'-0"



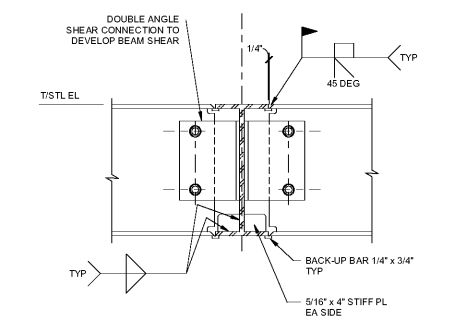
15 TYPICAL POST UP COLUMN
3/4" = 1'-0"



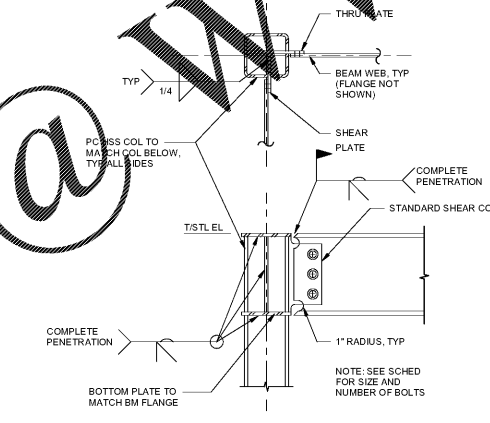
11 TYPICAL BEAM TO JOIST CONNECTION
3/4" = 1'-0"



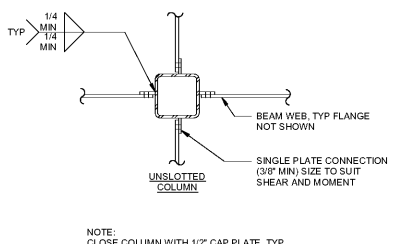
7 TYPICAL JOIST TO BEAM INTERIOR CONNECTION
3/4" = 1'-0"



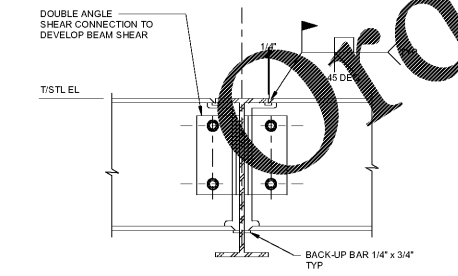
18 TYPICAL BEAM TO BEAM MOMENT CONNECTION (SAME DEPTH)
3/4" = 1'-0"



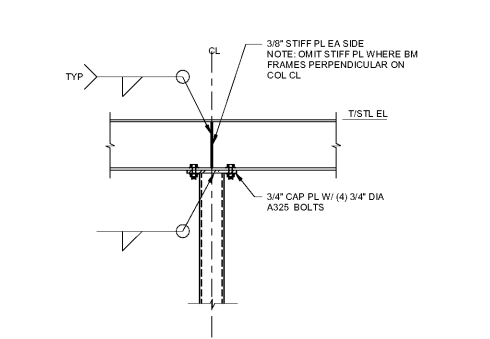
10 TYPICAL TUBE COLUMN CONNECTIONS (MOMENT CONNECTION)
3/4" = 1'-0"



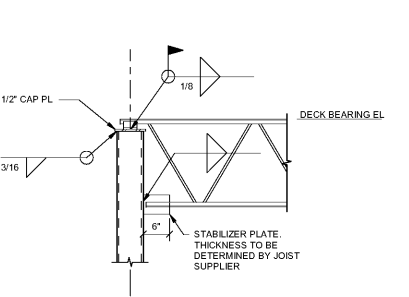
6 TYPICAL TUBE COLUMN CONNECTIONS
3/4" = 1'-0"



17 TYPICAL BEAM TO BEAM MOMENT CONNECTION (DIFFERENT DEPTH)
3/4" = 1'-0"

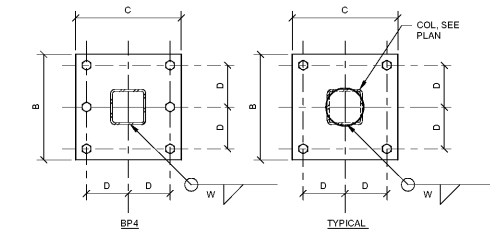


9 TYPICAL INTERIOR COLUMN CAP PLATE CONNECTION
3/4" = 1'-0"



5 TYPICAL JOIST TO END COLUMN CONNECTION
3/4" = 1'-0"

MARK	BASE PLATE						ANCHOR BOLTS	WELD
	A	B	C	D	E	F		
BP1	1"	16"	16"	5"	1"	12"	4	1/4"
BP2	3/4"	14"	14"	4"	1"	12"	4	1/4"
BP3	1"	14"	14"	4"	1"	12"	4	1/4"
BP4	1 1/4"	24"	24"	9"	1 1/2"	16"	6	1/4"
BP5	SEE DETAIL 13S5-05							
BP6	3/4"	19"	19"	6 1/2"	1"	12"	4	1/4"
BP7	3/4"	12"	12"	3"	1"	12"	4	1/4"
BP8	1 1/4"	19"	19"	7 1/2"	1"	12"	4	1/4"



1 TYPICAL BASE PLATE AND ANCHOR BOLT (TUBE)
3/4" = 1'-0"

REV. NO.	DATE	REVISIONS / PRINTED
08.18.19		REVISION CHECK SET
10.01.19		ISSUED FOR PERMIT/DIG PLAN

INSTRUCTIONAL UNIT	BLDG AREA	LEVEL	TOTAL	COVERED AREAS (I.E. CANOPIES)	COVERED AREAS (I) BY 2	TOTAL
REGULAR CLASSROOMS	71,153 SF					
REGULAR PLEX AREAS	32,239 SF					
MUSIC	108,631 SF					
PHYSICAL EDUCATION						
ART CENTER						
ART						
TOTAL						



DESIGNED BY: GREGORY J. REYNOLDS
REGISTERED PROFESSIONAL ENGINEER
NO. 10854
EXPIRES: 12/31/2020
REGISTERED IN THE STATE OF GEORGIA
WITH NO OTHER LIMITATIONS

FRAMING DETAILS
J.H. HOUSE ELEMENTARY SCHOOL
3100 Zingira Road NE, Conyers, GA 30012

DATE: 10.01.2019
JOB NO: 218036.00
SHEET NO: S5-01

Smallwood, Reynolds, Stewart & Associates, Inc. Architects
One Piedmont Center, Suite 303 3565 Piedmont Road Atlanta, Georgia 30305

ISSUED FOR CONSTRUCTION