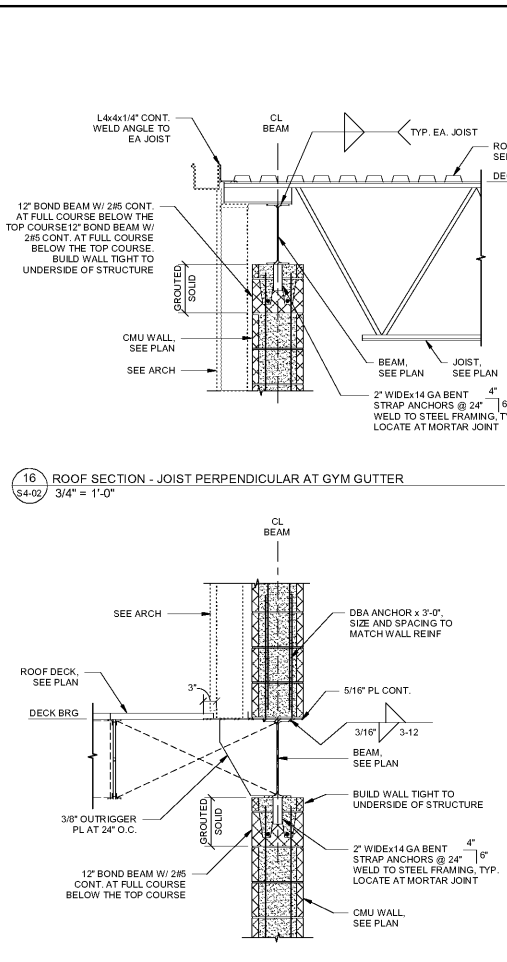
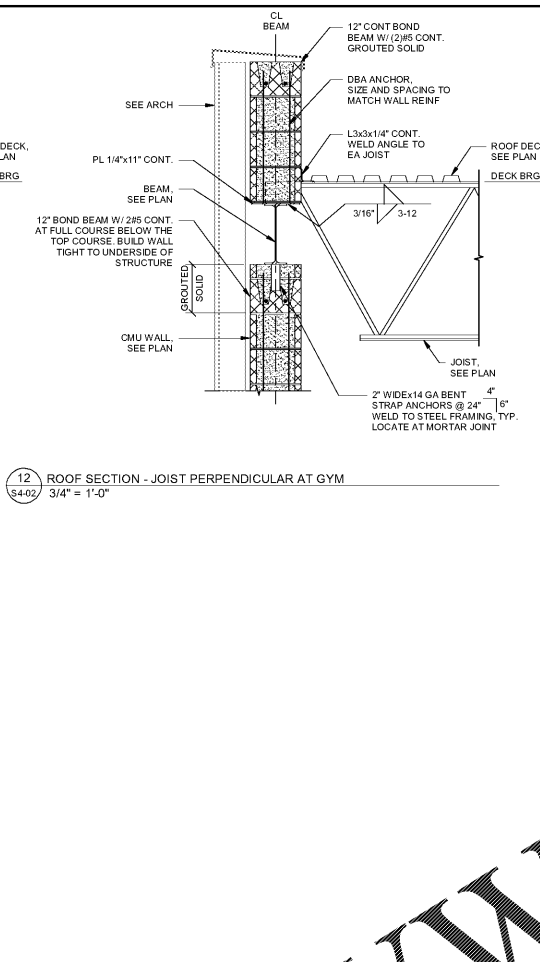


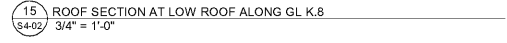
19 GYM ROOF SECTION
S4-02 3/4" = 1'-0"



16 ROOF SECTION - JOIST PERPENDICULAR AT GYM GUTTER
S4-02 3/4" = 1'-0"



12 ROOF SECTION - JOIST PERPENDICULAR AT GYM
S4-02 3/4" = 1'-0"



15 ROOF SECTION AT LOW ROOF ALONG GL K.8
S4-02 3/4" = 1'-0"

Order Plans @ www.LDILine.com

4 DECK SECTION AT INTERIOR WALL
S4-02 3/4" = 1'-0"

3 DECK SECTION AT CANTILEVER
S4-02 3/4" = 1'-0"

2 DECK SECTION ALONG GL H.9
S4-02 3/4" = 1'-0"

1 DECK SECTION ALONG GL 8.2
S4-02 3/4" = 1'-0"

REV. NO.	DATE	REVISIONS / PRINTED
1	10.31.19	ISSUE FOR PERMIT/ISSUE P&I

INSTRUCTIONAL UNITS	REGULAR CLASSROOMS	REGULAR PLEX AREAS	MUSIC	PHYSICAL EDUCATION	PHYSICAL EDUCATION CENTER	ART	TOTAL
	46						46

PROJECT SUMMARY	PROJ. AREA	LEVEL	TOTAL	COVERED AREAS (I.E. CANOPIES)	COVERED AREAS (I-BY-2)	TOTAL
REGULAR CLASSROOMS	71,153 SF					
REGULAR PLEX AREAS	32,238 SF					
MUSIC	108,631 SF					
PHYSICAL EDUCATION						
PHYSICAL EDUCATION CENTER						
ART						
TOTAL						



SMALLWOOD REYNOLDS STEWART & ASSOCIATES, INC.
REGISTERED PROFESSIONAL ARCHITECTS
1000 W. BROAD ST., SUITE 1000
ATLANTA, GA 30334
TEL: 404.525.1100
WWW.SRS&A.COM

Smallwood, Reynolds, Stewart & Associates, Inc. Architects

MASONRY DETAILS
J.H. HOUSE ELEMENTARY SCHOOL
3100 Zingira Road NE, Conyers, GA 30012

DATE: 10.01.2019
JOB NO: 218036.00
SHEET NO: S4-02

ISSUED FOR CONSTRUCTION