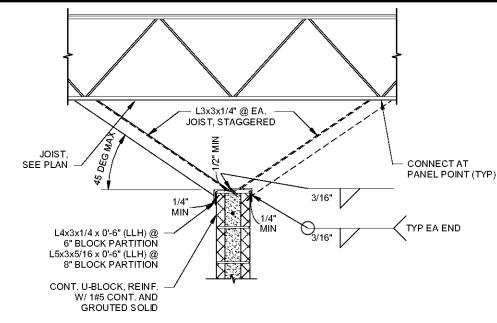
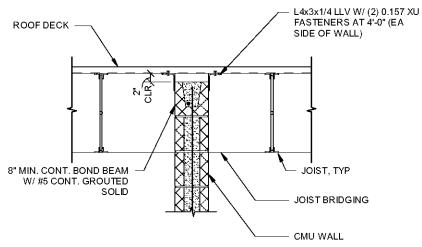


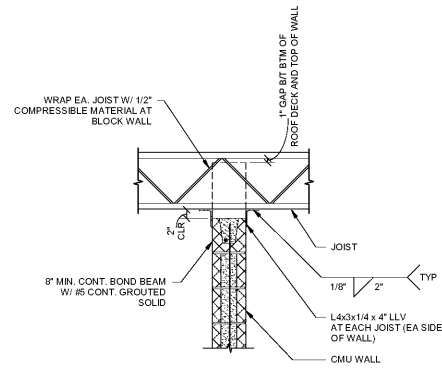
20  
S4-01  
TYPICAL BRACING OF PARTIAL HEIGHT INTERIOR NON-LOAD BEARING CMU WALLS (PARALLEL)  
3/4" = 1'-0"



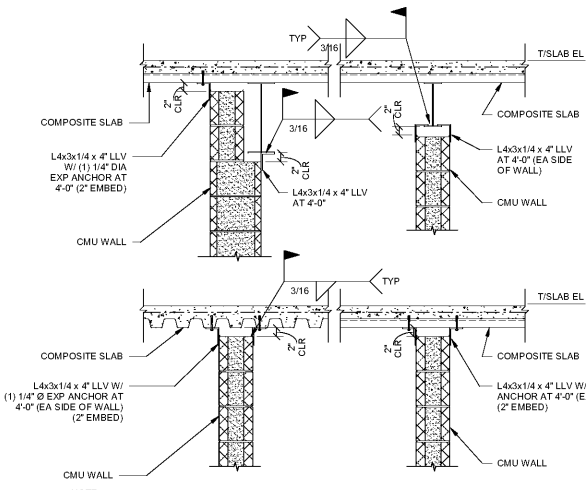
16  
S4-01  
TYPICAL BRACING OF PARTIAL HEIGHT INTERIOR NON-LOAD BEARING CMU WALLS (PERPENDICULAR)  
3/4" = 1'-0"



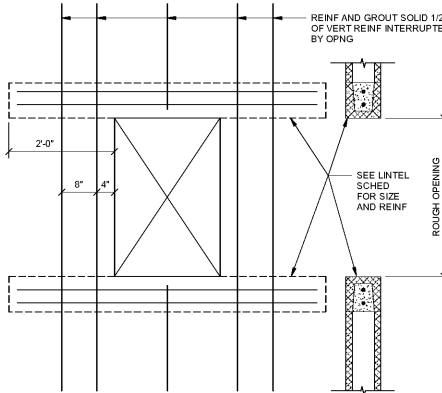
12  
S4-01  
TYPICAL CMU WALL BRACING AT INTERIOR CMU WALL - JOIST PARALLEL  
3/4" = 1'-0"



8  
S4-01  
TYPICAL CMU WALL BRACING AT INTERIOR CMU WALL - JOIST PERPENDICULAR  
3/4" = 1'-0"

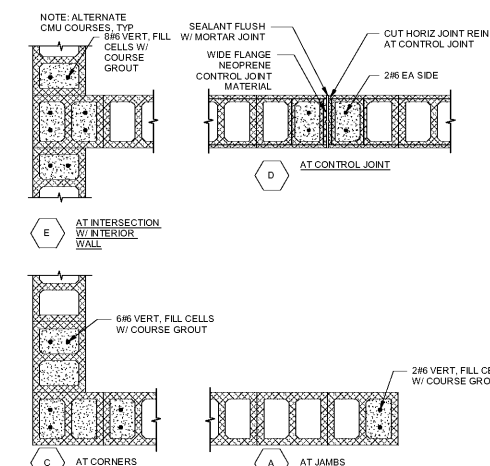


17  
S4-01  
TYPICAL BRACING AT INTERIOR CMU WALL AT COMPOSITE DECK  
3/4" = 1'-0"

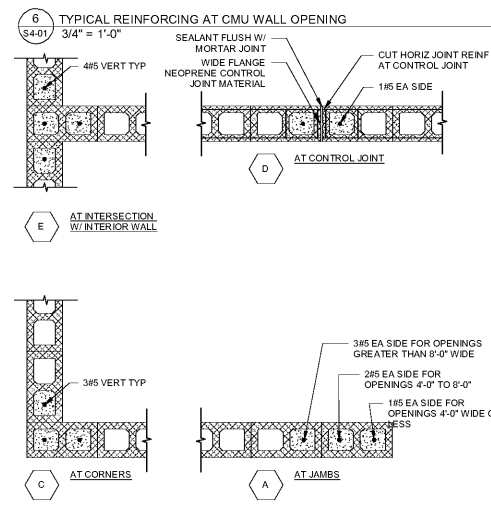


WALL SIZE	LINTEL TYPE	REMARKS
OPENINGS UP TO 6'-0"		
4" BRICK	L7x4x3" (LLH)	
4" BRICK	4"x8" CONT W/ 1#4 T&B	
6" BLOCK	6"x8" CONC W/ 1#4 T&B	
6" BLOCK	6"x8" CONC W/ 2#4 T&B	
6" BLOCK	6"x8" U-BLOCK W/ 1#5 T&B	
12" BLOCK	12"x8" CONC W/ 2#4 T&B	
12" BLOCK	12"x8" U-BLOCK W/ 2#5 T&B	
OPENINGS 6'-0" TO 8'-0"		
4" BRICK	L7"x4"x3" (LLH)	
6" BLOCK	6"x8" CONC W/ 2#4 T&B	
6" BLOCK	6"x16" U-BLOCK W/ 1#5 T&B	
12" BLOCK	12"x8" CONC W/ 2#4 T&B	
12" BLOCK	12"x16" U-BLOCK W/ 2#5 T&B	
OPENINGS 8'-0" TO 10'-0"		
4" BRICK	BENT PL 7"x5"x3" (LLH)	
6" BLOCK	6"x8" CONC W/ 2#5 T&B	#3 STR @ 7" CONT
6" BLOCK	6"x8" CONC W/ 2#4 T&B	#3 STR @ 7" CONT
12" BLOCK	12"x8" CONC W/ 2#4 T&B	#3 STR @ 7" CONT

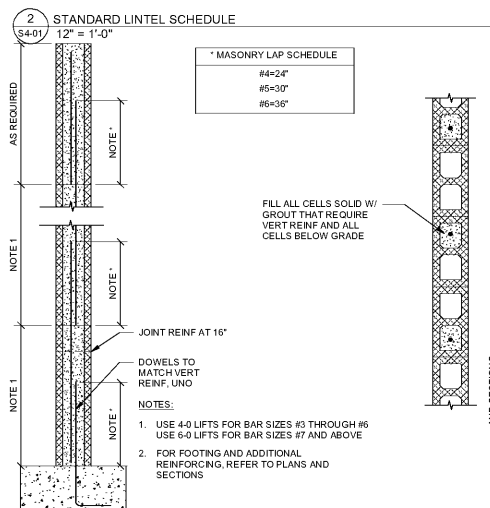
NOTE: WHERE LINTEL BUTTS A STEEL COLUMN, PROVIDE SHELF ANGLE WELDED TO COLUMN TO PICK UP LINTEL. STEEL LINTERS SHALL BEAR 6" MINIMUM EACH END UNLESS NOTED OTHERWISE.



9  
S4-01  
TYPICAL REINFORCING AT 12" CMU WALL  
3/4" = 1'-0"



5  
S4-01  
TYPICAL REINFORCING AT 8" INTERIOR CMU WALL  
3/4" = 1'-0"



2  
S4-01  
STANDARD LINTEL SCHEDULE  
12" = 1'-0"

Order Plans @ www.LDILine.com

Smallwood, Reynolds, Stewart & Associates, Inc. Architects  
 One Piedmont Center, Suite 303 3565 Piedmont Road Atlanta, Georgia 30305  
 MASONRY DETAILS  
 J.H. HOUSE ELEMENTARY SCHOOL  
 3100 Zingira Road NE, Conyers, GA 30012  
 DATE: 10.01.2019  
 JOB NO: 218036.00  
 SHEET NO: S4-01  
 ISSUED FOR CONSTRUCTION

REV. NO.	DATE	REMARKS
1	10.01.19	ISSUED FOR PERMIT/DIG PLAN
2	10.01.19	REVISED FOR PERMIT/DIG PLAN

REVISIONS / PRINTED	DATE	REMARKS
46	10.01.19	REVISED FOR PERMIT/DIG PLAN
47	10.01.19	REVISED FOR PERMIT/DIG PLAN
48	10.01.19	REVISED FOR PERMIT/DIG PLAN
49	10.01.19	REVISED FOR PERMIT/DIG PLAN
50	10.01.19	REVISED FOR PERMIT/DIG PLAN
51	10.01.19	REVISED FOR PERMIT/DIG PLAN

INSTRUCTIONAL UNITS	REGULAR CLASSROOMS	REGULAR PLEX AREAS	MUSIC	PHYSICAL EDUCATION	ART	TOTAL
46	71,155 SF	3,238 SF	106,351 SF	5,188 SF	2,255 SF	186,187 SF
47	3,238 SF	106,351 SF	5,188 SF	2,255 SF		116,832 SF
48						
49						
50						
51						
TOTAL	74,393 SF	3,238 SF	111,539 SF	5,188 SF	2,255 SF	196,613 SF