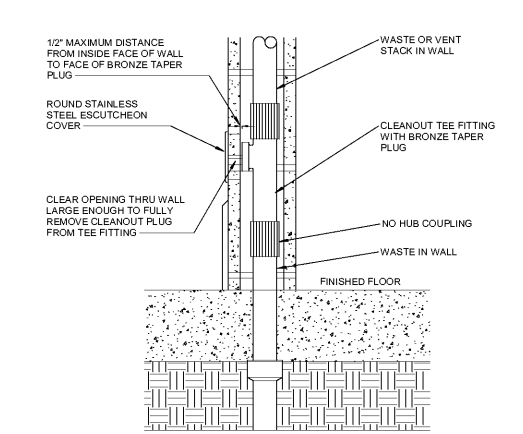
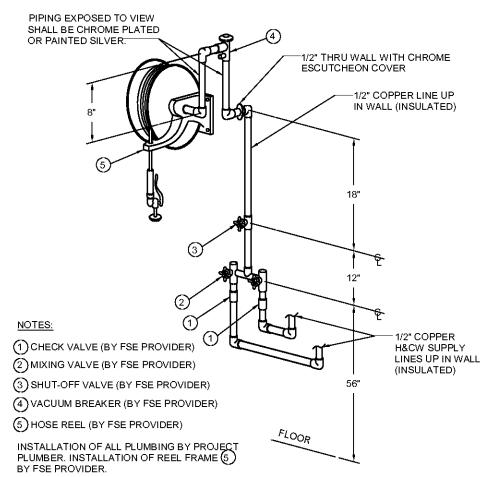


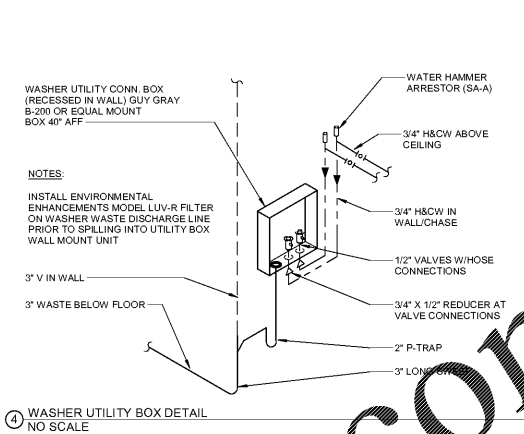
1 URINAL CARRIER INSTALLATION
NO SCALE



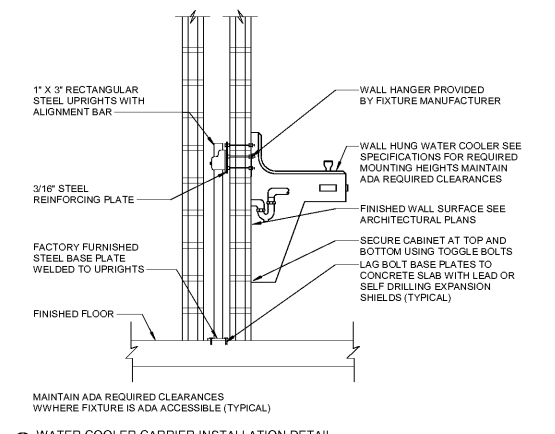
2 WALL CLEANOUT
NO SCALE



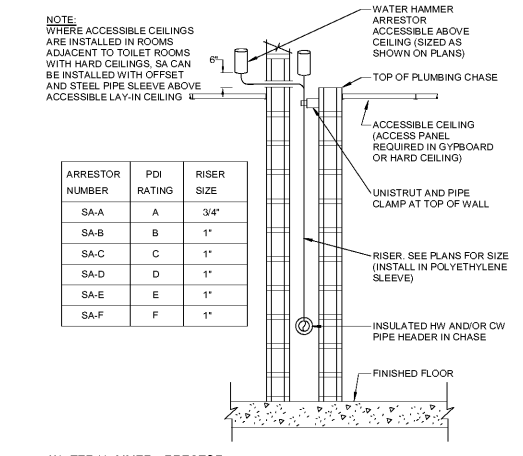
3 WASHDOWN STATION PIPING DIAGRAM
NO SCALE



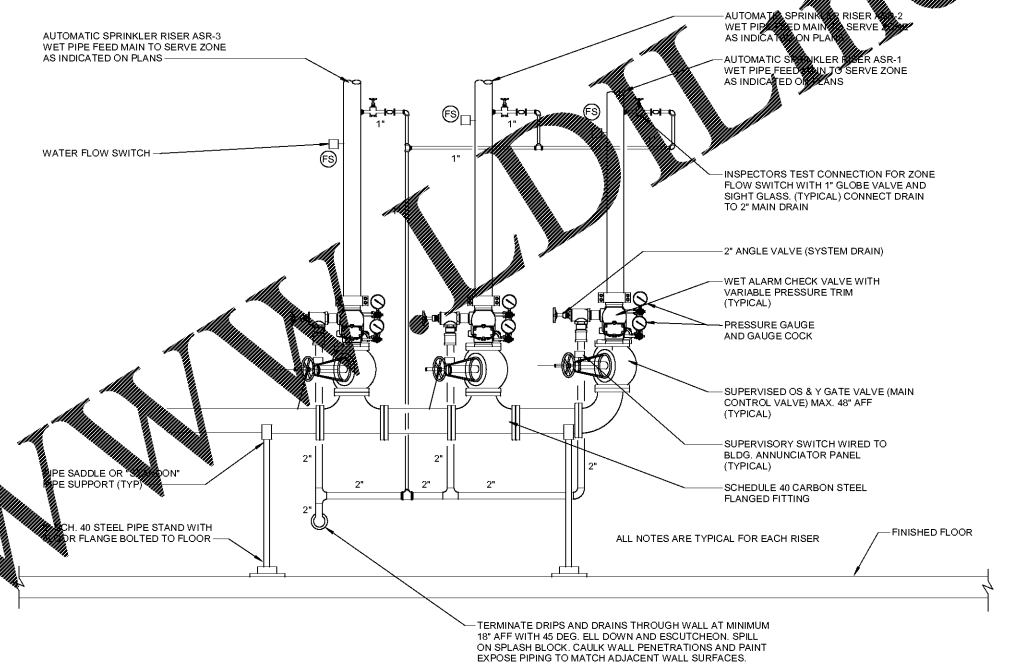
4 WASHER UTILITY BOX DETAIL
NO SCALE



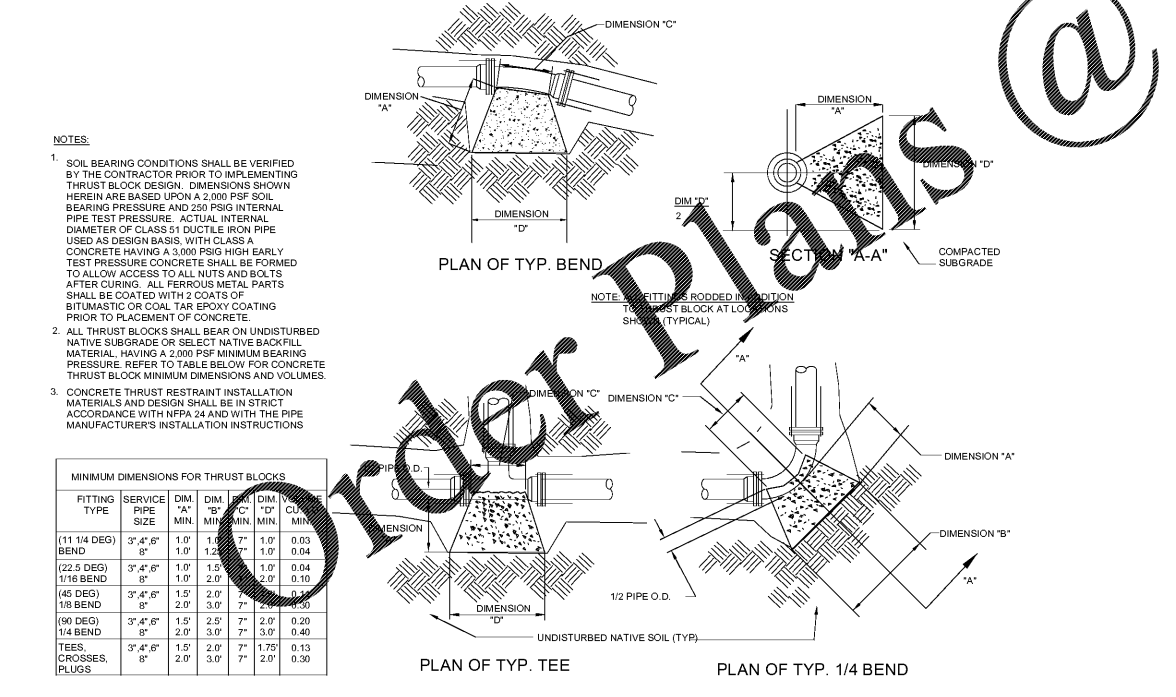
5 WATER COOLER CARRIER INSTALLATION DETAIL
NO SCALE



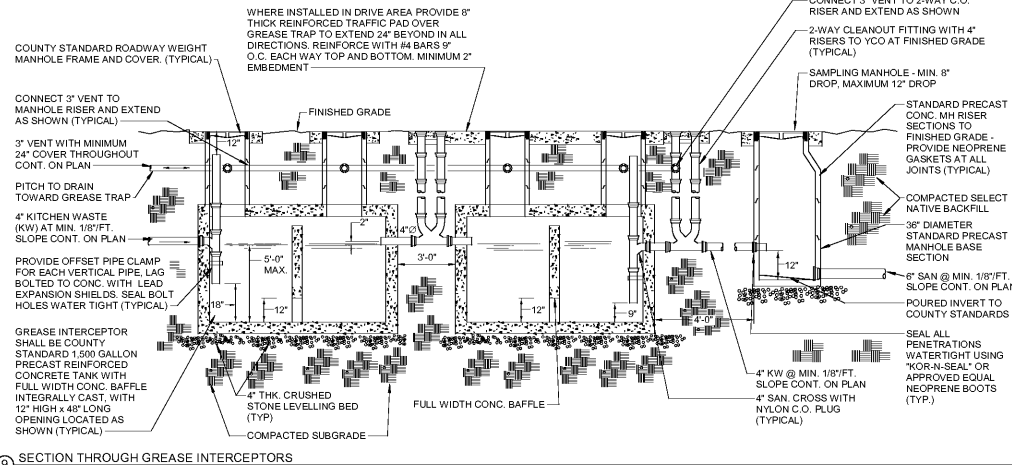
6 WATER HAMMER ARRESTOR
NO SCALE



7 WET PIPE AUTOMATIC SPRINKLER RISER
NO SCALE



8 THRUST BLOCKING - POURED IN PLACE
NO SCALE



9 SECTION THROUGH GREASE INTERCEPTORS
NO SCALE

WWW.DLINE.com

REVISIONS / PRINTED		
REV. NO.	DATE	REMARKS
00019	08/19/19	05/05 CHECK SET PERMIT Q/C
00019	08/19/19	05/05 CHECK SET PERMIT Q/C

RCPS

REGISTERED PROFESSIONAL ENGINEER

No. 000000

STATE OF GEORGIA

REGISTERED PROFESSIONAL ENGINEER

No. 000000

STATE OF GEORGIA

REGISTERED PROFESSIONAL ENGINEER

DETAILS

J.H. HOUSE ELEMENTARY SCHOOL
3100 Zingira Road NE, Conyers, GA 30012

DATE: 10-01-2019

JOB NO: 218036.00

SHEET NO: P-502

ISSUED FOR CONSTRUCTION

MBA

CONSULTING ENGINEERS

MBA # 18033

MATHENBELL & ASSOCIATES, INC.
11350 ELKING RD., SUITE F-2
ROSWELL, GEORGIA 30076
PHONE: (770) 754-0273
WWW.MATHENBELL.COM

Smallwood, Reynolds, Stewart, & Associates, Inc. Architects
One Piedmont Center, Suite 303 3565 Piedmont Road Atlanta, Georgia 30305