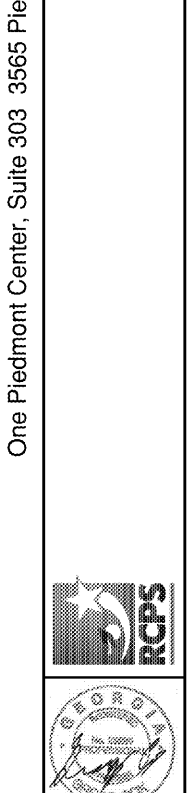


REV. NO.	DATE	REVISIONS / PRINTED
00/01/19	05/01/19	ISSUE FOR PERMIT
01/01/19	05/01/19	ISSUE FOR PERMIT



STEWART & ASSOCIATES, INC.  
 3100 ZINGRA ROAD NE, CONYERS, GA 30012  
 (770) 326-1073  
 WWW.STEWARTANDASSOCIATES.COM

Smallwood, Reynolds, Stewart & Associates, Inc. Architects  
**DETAILS & SCHEDULES**  
**J.H. HOUSE ELEMENTARY SCHOOL**  
 3100 Zingra Road NE, Conyers, GA 30012  
 DATE: 10-01-2019  
 JOB NO: 218036.00  
 SHEET NO: P-501  
 ISSUED FOR CONSTRUCTION

MARK	LOCATION	STORAGE CAPACITY	GAS INPUT	RECOVERY RATE @ 100°F RISE	DETAIL
GWH-1	DRAWING P2-21D W.H. 1.210	100 GALLON	199 MBTUH	230 GAL/HR	7/P-501
GWH-2	DRAWING P2-21D W.H. 1.210	100 GALLON	199 MBTUH	230 GAL/HR	7/P-501
GWH-3	DRAWING P2-21D W.H. 1.210	100 GALLON	199 MBTUH	230 GAL/HR	7/P-501

NOTES:  
 1. WATER HEATER STORAGE TEMPERATURE SHALL BE SET FOR 140°F.  
 2. BASIS OF DESIGN IS RHEEM GHE-100-200 EQUAL PRODUCTS BY A.O. SMITH OR BRADFORD WHITE.

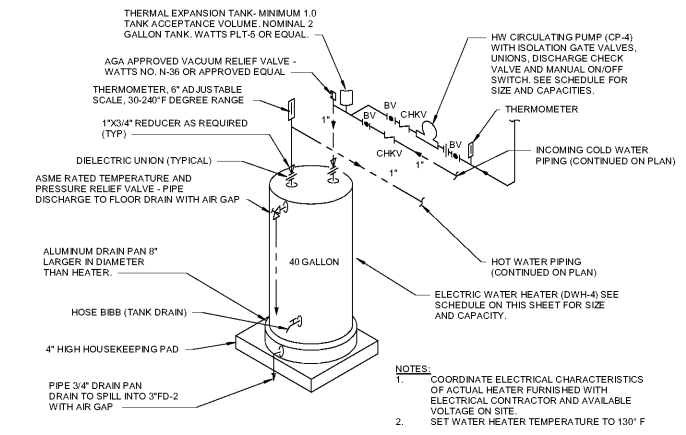
MARK	ASSOCIATED WITH WATER HEATER	PRESSURE DROP (PSI)	FLOW (GPM)	BASIS OF DESIGN (BRADLEY NAVIGATOR)	DETAIL
TV-1	DWH-1	20	5	SS5-3045	2/P-501
TV-2	DWH-2	20	5	SS5-3045	2/P-501

EQUAL PRODUCTS - POWERS, LAWLER

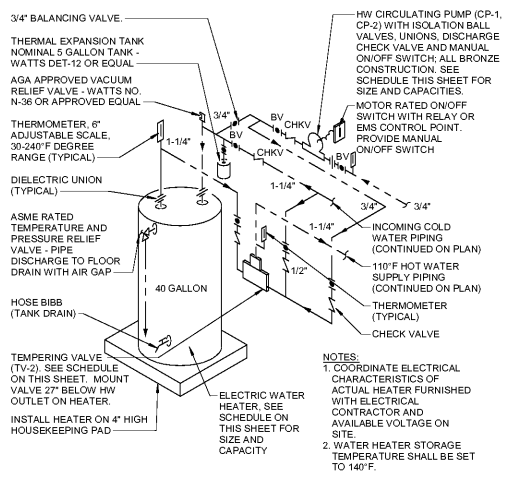
MARK	LOCATION	STORAGE CAPACITY	KW INPUT	RECOVERY RATE @ 100°F RISE	BASIS OF DESIGN	DETAIL
DWH-1	DRAWING P2-21A STOR 1.110	40 GALLON	6.0	24 GPH	DEM-40	2/P-501
DWH-2	DRAWING P2-21A JAN EOP 1.137	40 GALLON	6.0	24 GPH	DEM-40	2/P-501
DWH-3	DRAWING P2-21B CUB	20 GALLON	4.5	18 GPH	DEL-20	3/P-501
DWH-4	DRAWING P2-21C LAUNDRY 1.233	40 GALLON	6.0	24 GPH	DEL-40	2/P-501

EQUAL PRODUCTS BY RHEEM, BOCK, OR BRADFORD WHITE ARE ACCEPTABLE

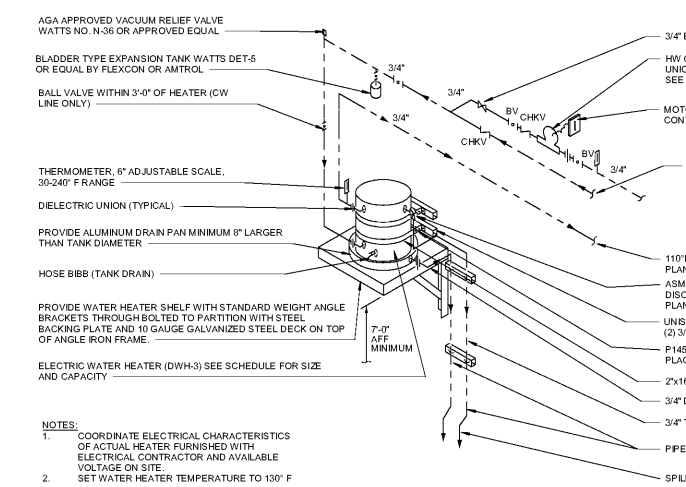
MARK	ASSO WATER HEATER	GPM	TDH (FT)	HP	BASIS OF DESIGN	DETAILS
CP-1	DWH-1	1.13	1.13	1.13	2/P-501	
CP-2	DWH-2	1.16	1.16	1.16	2/P-501	
CP-3	DWH-3	1.16	1.16	1.16	3/P-501	
CP-4	DWH-4	1.16	1.16	1.16	1/P-501	
CP-5	GWH-1 THRU GWH-3				7/P-501	



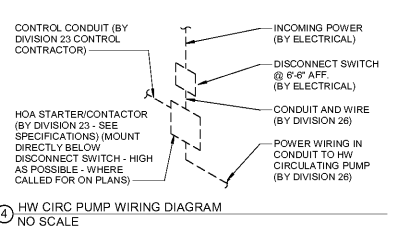
1. ELECTRIC WATER HEATER (DWH-4) NO SCALE



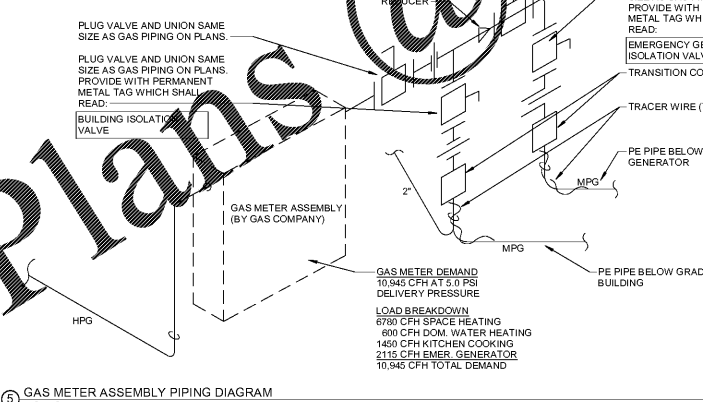
2. ELECTRIC WATER HEATER W/ RECIRC (DWH-1-DWH-2) NO SCALE



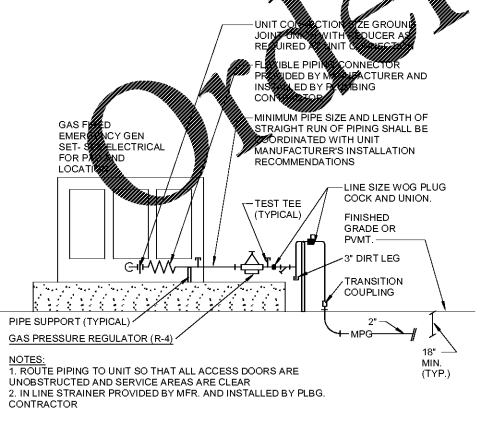
3. ELECTRIC WATER HEATER WALL MNTD (DWH-3) NO SCALE



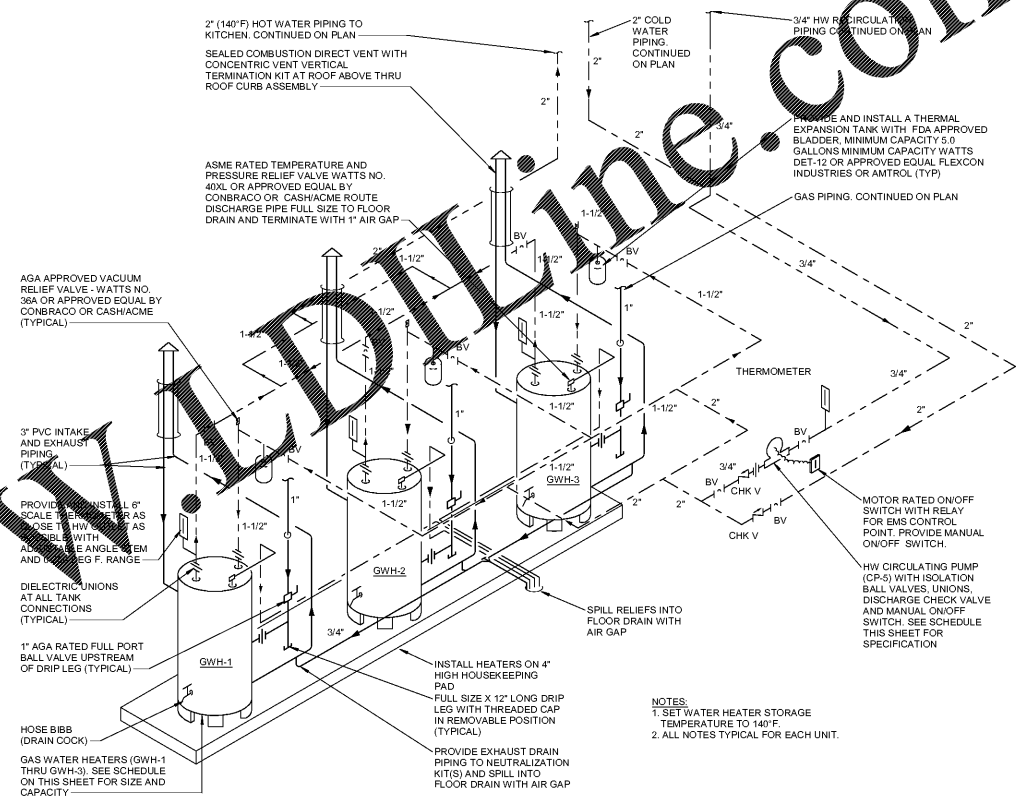
4. HW CIRC PUMP WIRING DIAGRAM NO SCALE



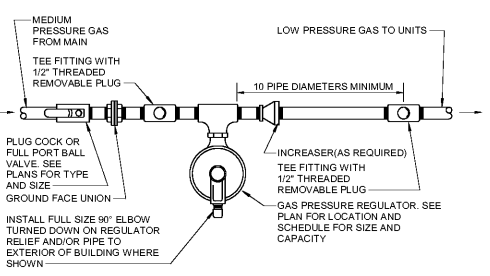
5. GAS METER ASSEMBLY PIPING DIAGRAM NO SCALE



6. GEN. SET GAS CONNECTION NO SCALE



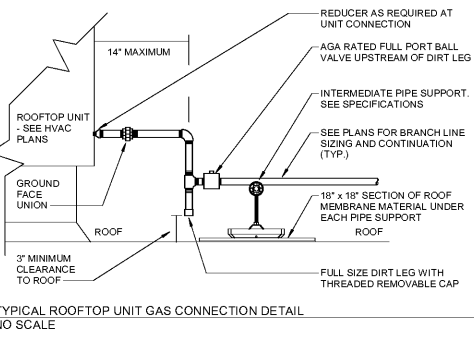
7. GAS WATER HEATERS (3) PIPING (GWH-1 THRU GWH-3) NO SCALE



8. GAS PRESSURE REGULATOR PIPING NO SCALE

REGULATOR NUMBER	DRAWING NUMBER	GAS CAPACITY	MODEL (2020/03)	EQUIPMENT SERVED	NOTES
R-1	P2-01D	1750	243-122	BOLER #1	
R-2	P2-01D	1750	243-122	BOLER #2	
R-3	P2-01D	190	243-122	GWH-1	
R-4	P2-01D	2115	243-122	EMERGENCY GEN.	
R-5	P1-Q1	600	143-802	GWH-1 THRU GWH-3	
R-6	P1-Q1	1450	243-122	KITCHEN UDS	
R-7	P1-Q1	125	143-802	RTU-5	
R-8	P1-Q1	125	143-802	RTU-6	
R-9	P1-Q1	200	143-802	ERU-C2	
R-10	P1-Q1	200	143-802	ERU-S1	
R-11	P1-Q1	310	143-802	RTU-3	
R-12	P1-Q1	300	143-802	MAU-1	
R-13	P1-Q1	310	143-802	RTU-4	
R-14	P1-Q1	190	143-802	RTU-5	
R-15	P1-Q1	190	143-802	ERU-A1	
R-16	P1-Q1	190	143-802	RTU-4	
R-17	P1-Q1	125	143-802	RTU-3	
R-18	P1-Q1	200	143-802	RTU-1	
R-19	P1-Q1	310	143-802	RTU-2	
R-20	P1-Q1	200	143-802	ERU-S1	
R-21	P1-Q1	200	143-802	ERU-B2	

NOTE:  
 1. REGULATORS BASED ON 5.0 PSIG INLET PRESSURE. 7" W.C. OUTLET PRESSURE.  
 2. REGULATORS BASED ON 5.0 PSIG INLET PRESSURE. 11" W.C. OUTLET PRESSURE.  
 3. KITCHEN COOKING LINE.  
 4. EMERGENCY GAS GENERATOR.



9. TYPICAL ROOFTOP UNIT GAS CONNECTION DETAIL NO SCALE



One Piedmont Center, Suite 303 3565 Piedmont Road Atlanta, Georgia 30305