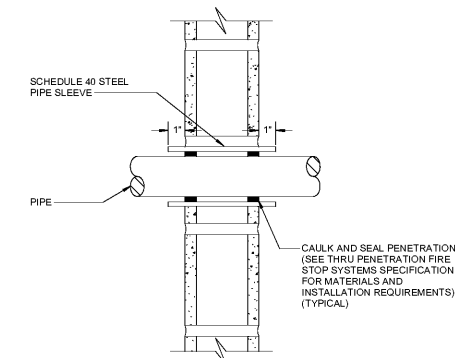
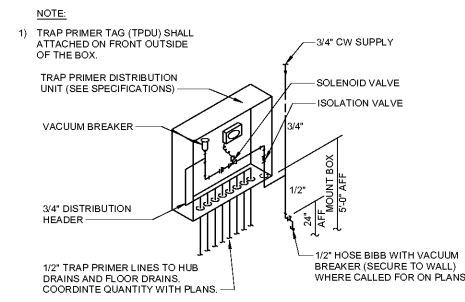


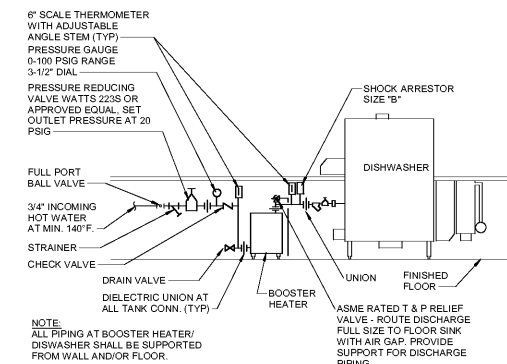
1 TRAP PRIMER INSTALLATION DETAIL  
NO SCALE



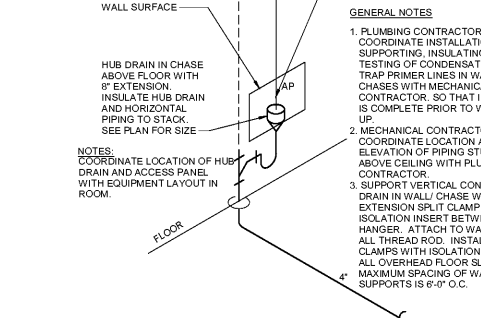
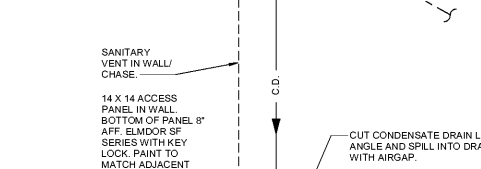
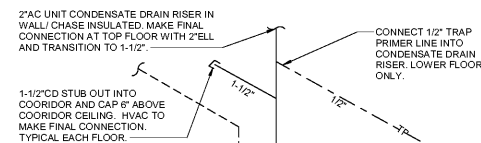
2 INSULATED PIPE PENETRATION THRU MASONRY WALL DETAIL  
NO SCALE



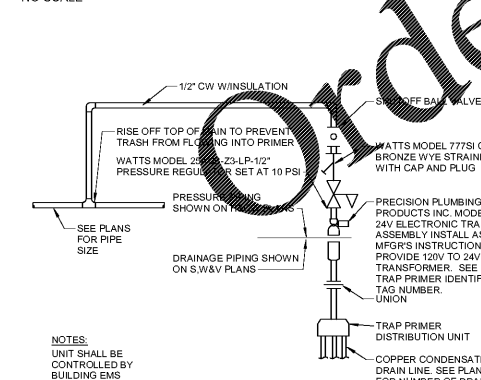
3 TRAP PRIMER DISTRIBUTION UNIT (TPDU) DIAGRAM  
NO SCALE



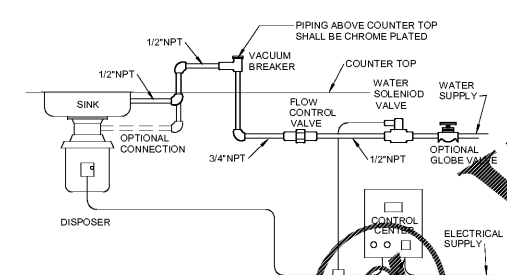
4 BOOSTER HEATER INSTALLATION (DISHWASHER)  
NO SCALE



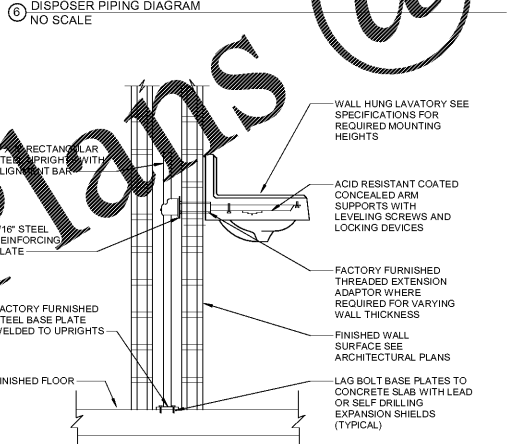
5 CONDENSATE HUB DRAIN IN WALL  
NO SCALE



6 TRAP PRIMER UNIT PIPING DIAGRAM  
NO SCALE



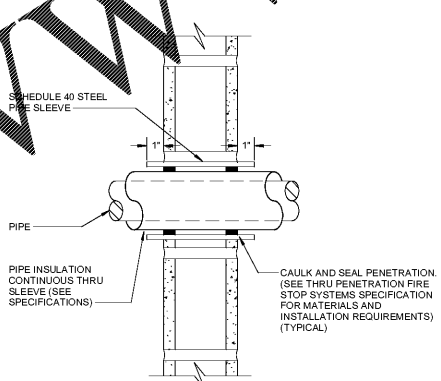
7 DISPOSER PIPING DIAGRAM  
NO SCALE



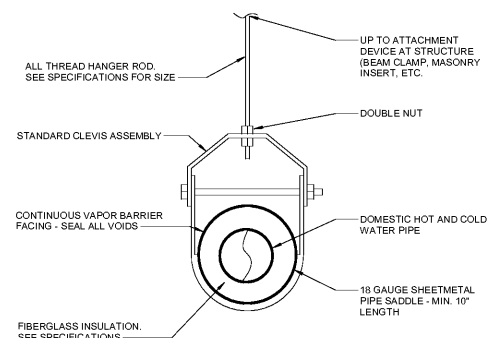
8 LAVATORY CARRIER INSTALLATION DETAIL  
NO SCALE

PLUMBING FIXTURE SCHEDULE							
MARK	DESCRIPTION	MOUNTING HEIGHT	FLOW RATE	CW	HW	SW	NOTES
P-1	WATER CLOSET - FL MNTD	15" TOP OF RIM	1.28 GPF	1"	-	4"	BATTERY- SENSOR FLUSH VALVE
P-1H	WATER CLOSET ADULT H.C. - FL MNTD	18" TOP OF RIM	1.28 GPF	1"	-	4"	BATTERY- SENSOR FLUSH VALVE
P-2	URINAL, CHILD STANDARD OR CHILD H.C.	15" TOP OF RIM	0.125 GPF	3/4"	-	2"	BATTERY- SENSOR FLUSH VALVE
P-3	WALL HUNG LAV	30" TOP OF RIM	0.5 GPM	1/2"	1/2"	1-1/4"	BATTERY- SENSOR FAUCET
P-3H	WALL HUNG LAV, ADULT H.C.	34" TOP OF RIM	0.5 GPM	1/2"	1/2"	1-1/4"	BATTERY- SENSOR FAUCET
P-4	ELECTRIC WATER COOLER, CHILD STANDARD OR CHILD H.C.	30" CENTER OF BUBBLER	NOT RATED	1/2"	-	1-1/4"	
P-4H	ELECTRIC WATER COOLER, ADULT H.C.	38" CENTER OF BUBBLER	NOT RATED	1/2"	-	1-1/4"	
P-4HF	ELECTRIC WATER COOLER, BOTTLE FILL STATION, ADULT H.C.	38" CENTER OF BUBBLER	NOT RATED	1/2"	-	1-1/4"	
P-5	MOP BASIN FAUCET	FLOOR MOUNTED	2.2 GPM	1/2"	1/2"	3"	
P-6	SINK, CLASS ROOM	COUNTER TOP MNTD - SEE ARCH	2.2 GPM	1/2"	-	1-1/2"	
P-7H	SINK, WORK ROOM	COUNTER TOP MNTD - SEE ARCH	2.2 GPM	1/2"	1/2"	1-1/2"	
P-8H	SHOWER, HAND HELD, ADA	42" ABOVE FLOOR	NOT RATED	1/2"	1/2"	2"	
P-9H	SINK, ART ROOM	COUNTER TOP MNTD - SEE ARCH	2.2 GPM	1/2"	1/2"	1-1/2"	
P-10	CAN WASH	48" ABOVE FLOOR	NOT RATED	3/4"	3/4"	3"	
P-11	HAND WASH SINK, KITCHEN	34" TOP OF RIM	0.5 GPM	1/2"	-	1-1/4"	STAINLESS STEEL, NO FLOOR CARRIER
P-12	WASHING MACHINE BOX	40" ABOVE FLOOR	NOT RATED	1/2"	-	2"	

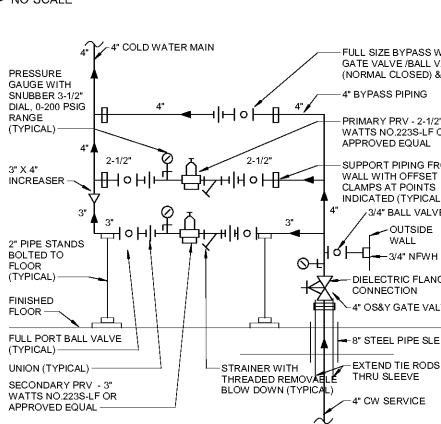
PLUMBING LEGEND	
SYMBOL	DESCRIPTION
---	SANITARY PIPING (S)
---	SANITARY VENT PIPING (V)
---	DOMESTIC HOT WATER PIPING (H)
---	DOMESTIC COLD WATER PIPING (C)
---	HOT WATER RECIRCULATING PIPING (HR)
---	LOW PRESSURE (LESS THAN 2.0 PSIG) NATURAL GAS PIPING (LPG)
---	MEDIUM PRESSURE (5.0 PSIG) NATURAL GAS PIPING (MPG)
---	KITCHEN WASTE (K)
---	STORM PIPING (ST)
---	STORM OVERFLOW PIPING (SO)
---	CONDENSATE DRAIN (CD)
---	TRAP PRIMER LINE (TP)
F	FIRE MAIN OR FEED MAIN
TP/CD	COMBINED TRAP PRIMER/CONDENSATE DRAIN
CI	CAST IRON
DIP	DUPLEX IRON PIPE (THICKNESS CLASS 80)
CMP	CORRUGATED METAL PIPE, FULLY COATED, PAVED INVERT
HD	HUB DRAIN
W CO	WALL CLEANOUT
Y CO	YARD CLEANOUT
F CO	FLOOR CLEANOUT
AP	ACCESS PANEL
P-1	PLUMBING FIXTURE NUMBER
⊙	SEE PLUMBING NOTES
∩	UNION
→	FLOW ARROW
⊕	CONNECT TO EXISTING PIPING
▽	VENT THROUGH ROOF
I=I	BALL VALVE (FULL PORT)
AC	ABOVE FINISHED GRADE
BIF	BELOW FINISHED GRADE
⊕	FLOOR DRAIN (NUMBER INDICATES TYPE - SEE SPECS)
⊕	WALL DRAIN (NUMBER INDICATES TYPE - SEE SPECS)
⊕	ROOF DRAIN (NUMBER INDICATES TYPE - SEE SPECS)
NPW	NON-FREEZE WALL HYDRANT
NPW	NON-FREEZE WATER
CV	CHECK VALVE (CHKV)
⊕	USCASSE APPROVED BACKFLOW PREVENTION DEVICE ASSEMBLY
⊕	REDUCED PRESSURE ZONE BACKFLOW PREVENTER
DCV	DOUBLE CHECK VALVE BACKFLOW PREVENTER
DDC	DOUBLE DETECTOR CHECK VALVE BACKFLOW PREVENTER
VB	3 PIECE ADJUSTABLE VALVE BOX
TP-2	TRAP PRIMER - NUMBER INDICATES TYPE - SEE SPECS
TPDU-2	TRAP PRIMER DISTRIBUTION UNIT - NUMBER INDICATES TYPE - SEE SPECS
NPWH	NON-FREEZE WALL HYDRANT
WH	WALL HYDRANT
▲	AGA RATED LUBRICATED PLUG COCK
BV	BALL VALVE (FULL PORT)
GV	GATE VALVE (GV)
AF	ABOVE FINISHED FLOOR
AFG	ABOVE FINISHED GRADE
⊕ & VB	GATE VALVE WITH VALVE BOX AT FIN. GRADE
IE	INVERT ELEVATION
SA 9"	SHOCK ARRESTOR - LETTER INDICATES SIZE (PER PDJ STANDARDS)
PRV	PRESSURE REDUCING VALVE ASSEMBLY
GV & Y	GATE VALVE IN VERTICAL
CHKV	CHECK VALVE
INV.	INVERT
OPD	OVERFLOW ROOF DRAIN
WH	WALL HYDRANT
CD	CONDENSATE DRAIN



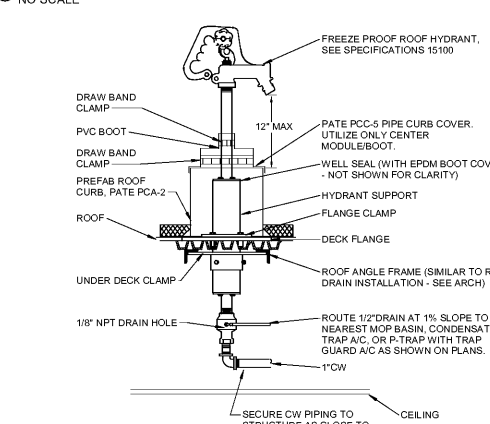
9 INSULATED PIPE PENETRATION THRU MASONRY WALL DETAIL  
NO SCALE



10 CLEVIS HANGER INSULATED PIPING PROTECTION DETAIL  
NO SCALE



11 PRESSURE REDUCING VALVE (PRV) ASSEMBLY DETAIL  
NO SCALE



12 ROOF HYDRANT DETAIL  
NO SCALE

Order Plans

WWW.LDILine.com

REVISIONS / PRINTED

REV. NO.	DATE	REMARKS
000/19	08/19/19	ISSUE FOR PERMIT
000/19	08/19/19	ISSUE FOR PERMIT

One Piedmont Center, Suite 303 3565 Piedmont Road Atlanta, Georgia 30305

DETAILS & SCHEDULES

J.H. HOUSE ELEMENTARY SCHOOL

3100 Zingira Road NE, Conyers, GA 30012

DATE: 10-01-2019

JOB NO: 218036.00

SHEET NO: P-500

ISSUED FOR CONSTRUCTION

MBA CONSULTING ENGINEERS

MBA # 18033

MATHEWSON HALL & ASSOCIATES, INC.

11350 ELKING RD, SUITE F-3

ROSWELL, GEORGIA 30076

PHONE: (770) 784-0773

WWW.MATHEWSONHALL.COM