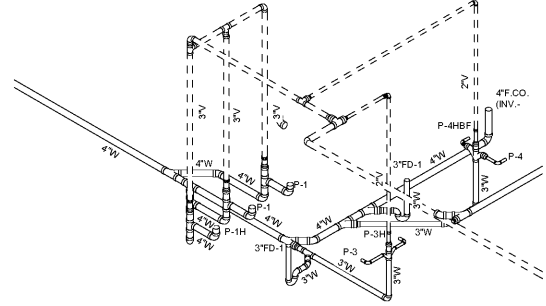
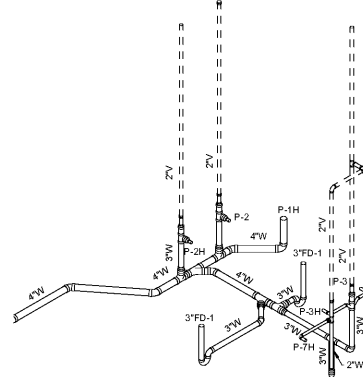


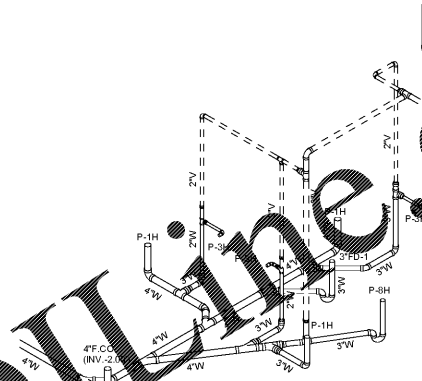
Order Plans @ www.LDinline.com



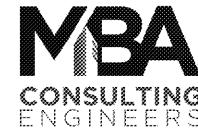
1 GIRLS RESTROOM RISER- S.W.&V



2 BOYS RESTROOM RISER- S.W.&V



3 CLINIC RISER- S.W.&V



MBA# 18033

MATHESON HALL & ASSOCIATES, INC.
11789 ELKING RD, SUITE P-3
ROSWELL, GEORGIA 30076
PHONE: 770.784.1073
WWW.MATHESONHALL.COM



STATE OF GEORGIA
MATTHEW D. MATHESON
REGISTERED PROFESSIONAL ENGINEER
NO. 218036-00
EXPIRES 12/31/2019
MATHESON HALL & ASSOCIATES, INC.
PROFESSIONAL ENGINEER

RISERS

J.H. HOUSE ELEMENTARY SCHOOL
3100 Zingira Road NE, Conyers, GA 30012

DATE: 10-01-2019
JOB NO.: 218036.00
SHEET NO.: P-402

Smallwood, Reynolds, Stewart & Associates, Inc. Architects

One Piedmont Center, Suite 303 3565 Piedmont Road Atlanta, Georgia 30305

REV. NO.	DATE	REVISIONS / PRINTED
	06/19/19	GE OCE CHECK SET
	10/01/19	ISSUED FOR BIDDING PERMIT QUOTE

ISSUED FOR CONSTRUCTION