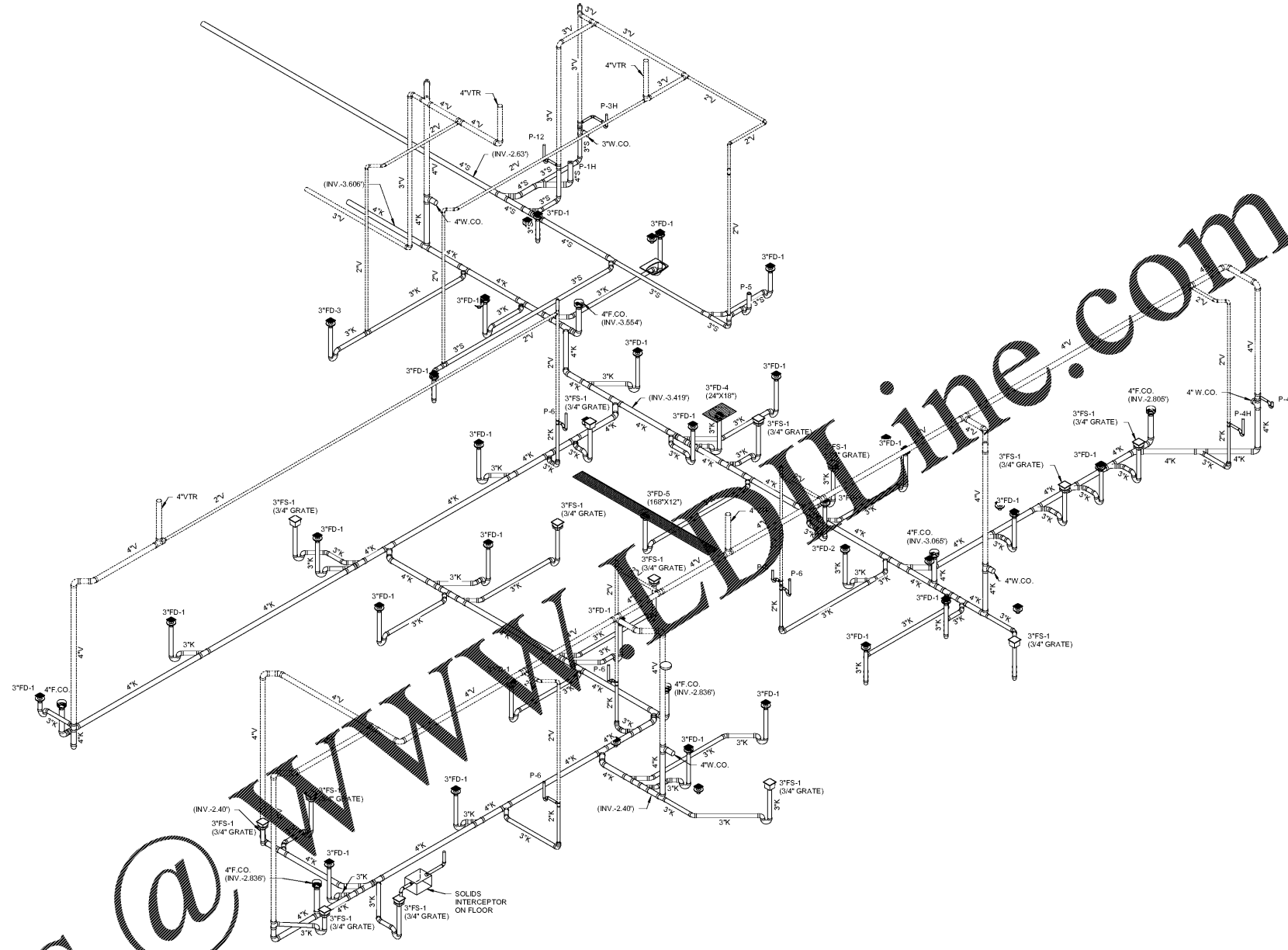
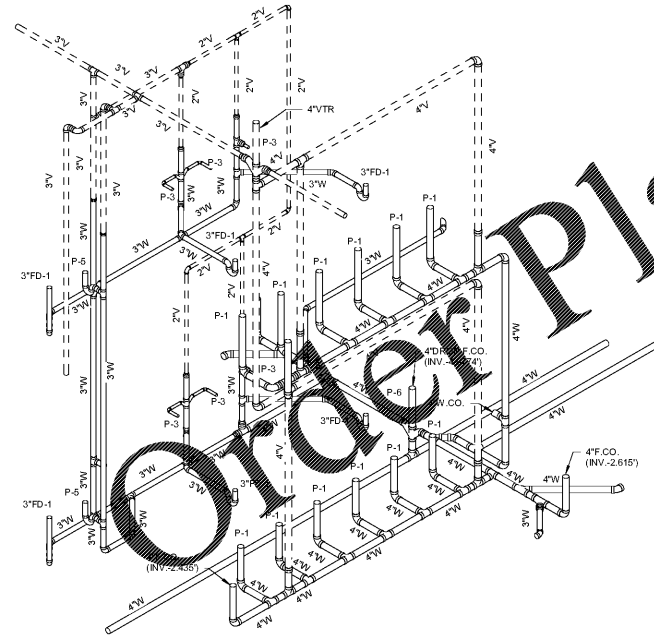


2 STAFF RESTROOM RISER LEVEL 1 PART B-S.W.&V



1 KITCHEN RISER- S.W.&V



3 GIRLS RESTROOM LEVEL 1 PART B- S.W.&V

[www.orderplans.com](http://www.orderplans.com)

REV. NO.	DATE	REMARKS
00019	08/19/19	ISSUE FOR SET
00019	08/19/19	ISSUE FOR BID PERMIT Q/C



SMALLWOOD REYNOLDS  
 STEWART & ASSOCIATES, INC.  
 ARCHITECTS  
 3100 ZINGIRA ROAD NE, CONYERS, GA 30012  
 PHONE: 770-754-1073  
 WWW.MATHESONBALL.COM

<b>RISERS</b>	
DATE	10-01-2019
JOB NO.	218036.00
SHEET NO.	P-401

**MBA**  
 CONSULTING ENGINEERS  
 MATHESON BALL & ASSOCIATES, INC.  
 11380 ELKING RD., SUITE F-3  
 ROSWELL, GEORGIA 30076  
 PHONE: 770-754-1073  
 WWW.MATHESONBALL.COM

Smallwood, Reynolds, Stewart & Associates, Inc. Architects One Piedmont Center, Suite 303 3565 Piedmont Road Atlanta, Georgia 30305

ISSUED FOR CONSTRUCTION