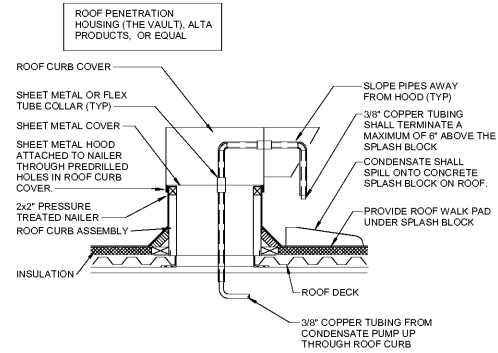
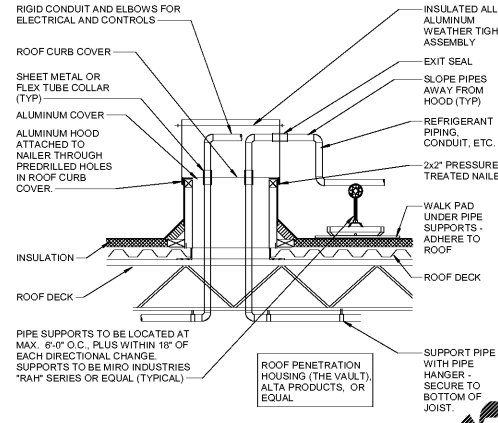


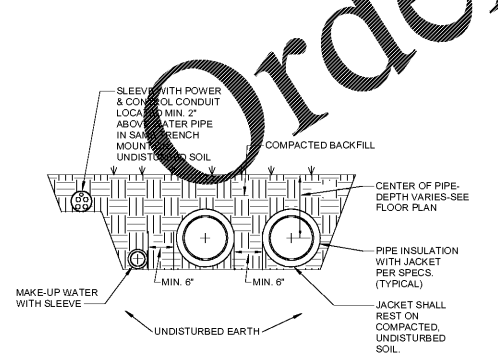
4 COOLING TOWER INSTALLATION DETAIL
1/8" = 1'-0"



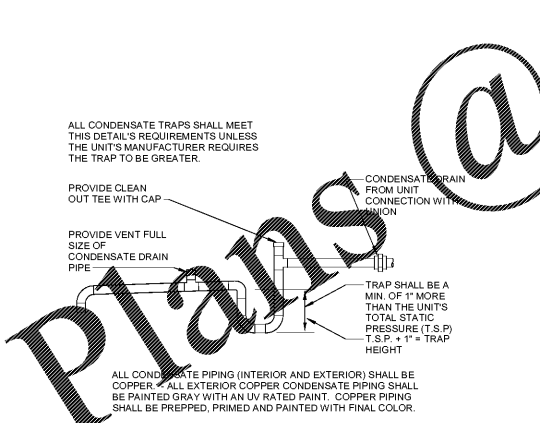
7 CONDENSATE DRAIN PIPE ROOF CURB DETAIL
1/8" = 1'-0"



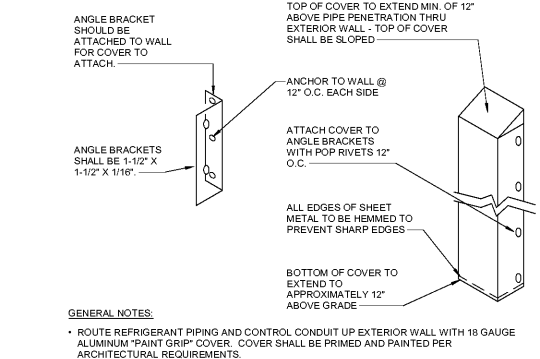
9 PIPE ROOF CURB DETAIL
1/8" = 1'-0"



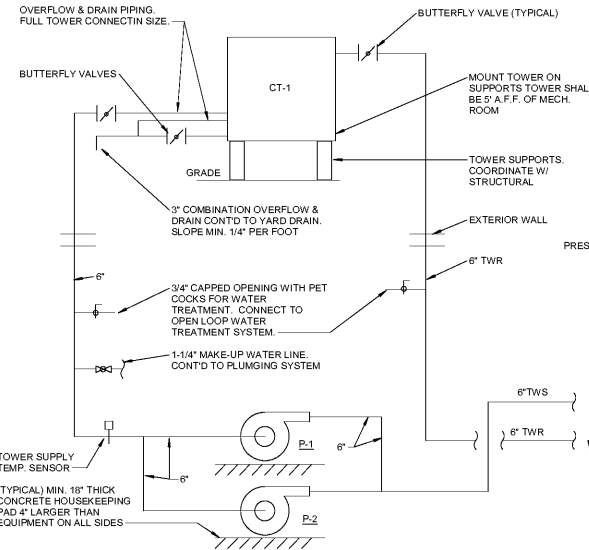
11 UNDER GROUND PIPING DETAIL
1/8" = 1'-0"



8 CONDENSATE TRAP DETAIL
1/8" = 1'-0"

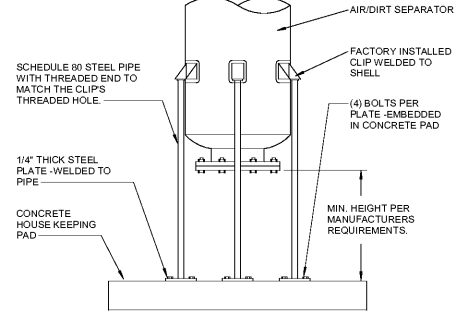


10 REFRIGERANT PIPING COVER DETAIL
1/8" = 1'-0"

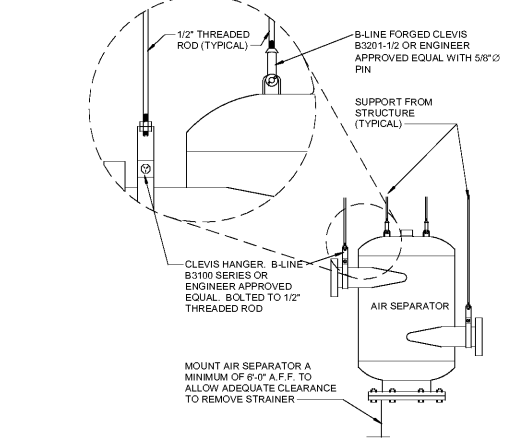


PIPING LEGEND			
	CHECK VALVE		AUTOMATIC AIR VENT
	BALL VALVE		TEMPERATURE SENSOR
	BUTTERFLY VALVE		THERMOMETER
	BALANCING VALVE		FLOW SWITCH
	PRESSURE GAUGE		SENSOR WELL
	HIGH CAPACITY AIR VENT		STRAINER
	PRESSURE REDUCING VALVE		UNION
TWS	TOWER WATER SUPPLY	CWS	CONDENSER WATER SUPPLY
TWR	TOWER WATER RETURN	CWR	CONDENSER WATER RETURN
HW	HOT WATER		

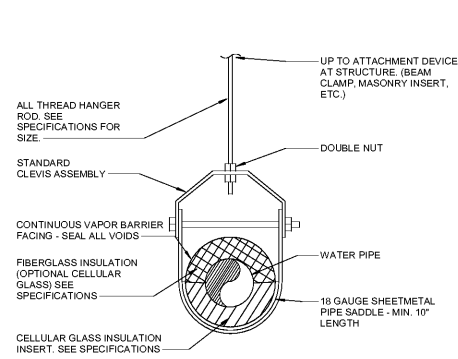
1 MECHANICAL ROOM PIPING SCHEMATIC
1/8" = 1'-0"



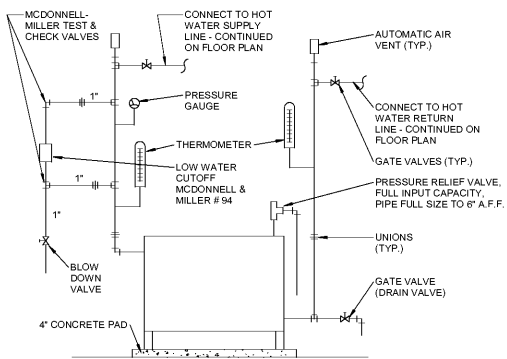
5 FLOOR MOUNTED AIR/DIRT SEPARATOR DETAIL
1/8" = 1'-0"



2 AIR SEPARATOR SUPPORT DETAIL
1/8" = 1'-0"



6 CLEVIS HANGER INSULATED PIPING PROTECTION DETAIL
1/8" = 1'-0"



3 BOILER PIPING DETAIL
1/8" = 1'-0"

NOTES:
 1. ALL FLOOR MOUNTED EQUIPMENT TO BE MOUNTED ON MINIMUM 6" THICK, 3000 PSI CONCRETE HOUSEKEEPING PADS. PADS TO BE MINIMUM 6" LARGER THAN EQUIPMENT FOOT PRINT ON ALL SIDES. COORDINATE LOCATIONS WITH FLOOR DRAINS. REINFORCE PADS WITH 6x6 W2.5x2.9 W.W.F.
 2. ALL DRAIN LINES SHALL BE PIPED, FULL SIZE, TO NEAREST FLOOR DRAIN. SLOPE AT MIN. 1/4" PER FOOT TO FLOOR DRAIN.

Order Plans @

WWW.LDIDLINE.COM

Revisions/Printed table with columns: REV. NO., DATE, REMARKS.

RCPS logo

Professional Engineer Seal for J.H. House Elementary School

Smallwood, Reynolds, Stewart, & Associates, Inc. Architects

HVAC DETAILS

J.H. HOUSE ELEMENTARY SCHOOL
3100 Zingira Road NE, Conyers, GA 30012

DATE: _____

JOB NO: **218036.00**

SHEET NO: **M6-03**

ISSUED FOR CONSTRUCTION

MBA CONSULTING ENGINEERS

MBA # 18033

MATHESON-BALL & ASSOCIATES, INC.
11285 ELKINS RD., SUITE F3
ROSWELL, GEORGIA 30074
PHONE: (770) 751-0773
WWW.MATHESONBALL.COM

One Piedmont Center, Suite 303 3565 Piedmont Road Atlanta, Georgia 30305