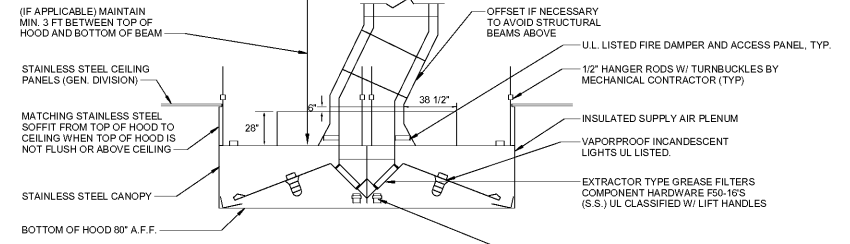


PULL STATION AND CONDUIT SHALL BE RECESSED WALL. PULL STATION SHALL BE LABELED.
MOUNT CONTROLS (115V) STAINLESS STEEL PANEL WITH SEPARATE SWITCHES AND SIGNAL LIGHTS FOR EXHAUST AND SUPPLY FANS. ONE SWITCH FOR LIGHTS. SWITCHES SHALL BE LABELED. SWITCHES SHALL BE MOUNTED ON UDS.



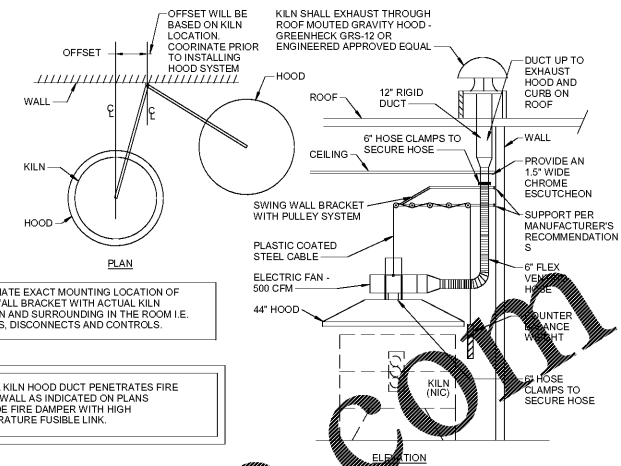
KITCHEN HOOD SECTION - SECTION A-A

KITCHEN HOOD SCHEDULE												
MARK	EXH. CFM	EXH. tsp	EXH. h.p.	MK'UP CFM	MU tsp	MU h.p.	LENGTH	WIDTH	BASIS OF DESIGN	LOCATION / SERVICE	NOTES	
KH-1	7500	1.25	w.c.	3.0	6300	1.75	w.c.	5.0	192" x 132"	DUO-AIRE CI-180x132x32-SS-III	KITCHEN	1,2,3,4,5

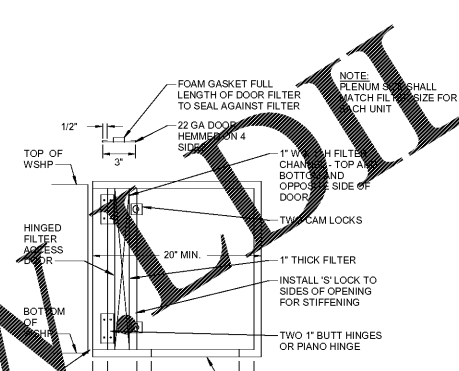
- NOTES:
 1. CAPACITIES LISTED ARE FOR EACH ROOF MOUNTED FAN PACKAGE SYSTEM. THE TOTAL HOOD DIMENSIONS ARE 16' LONG x 12' WIDE.
 2. CONTROLS SHALL BE REMOTE WALL MOUNTED APPROX. 48" A.F.F.
 3. PULL STATION SHALL BE RECESSED IN WALL. ALL CONDUIT FOR CABLING SHALL BE CONCEALED ABOVE THE CEILING AND IN THE WALL.
 4. FIRE SUPPRESSION CANISTERS SHALL BE REMOTE WALL MOUNTED. ALL PIPING FOR SYSTEM SHALL BE CONCEALED ABOVE CEILING OVER TO THE HOOD.
 5. PROVIDE WITH TEE DUCT SYSTEM.

UTILITY DISTRIBUTION SYSTEM	
DESIGNATION	UDS-1
MANUFACTURER	DUO-AIRE
MODEL	ISLAND
	ELECTRICAL
208/360 SERVICE	
CONNECTED LOAD	6.00 KW
SPARE LOAD	14.99 KW
MAIN BREAKER SIZE	60 AMPS
PLUMBING	
NATURAL GAS	
CONNECTED LOAD	685 MBH
GAS PIPE SIZE	2"
COLD WATER PIPE SIZE	3/4"
HOT WATER PIPE SIZE	3/4"

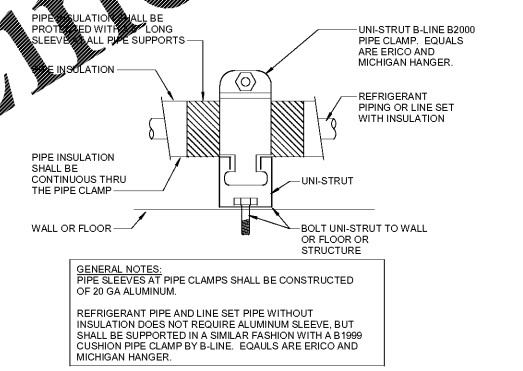
- VENT-A-KILN HOOD REQUIREMENTS (PROVIDE TWO (2) HOOD SYSTEMS):
 A. HOOD SHALL BE SEMI-PORTABLE TYPE INCLUDING SUSPENDED HOOD, TWO SPEED MOTOR, VENTING HOSE, ROOF CAP, AND OVERHEAD PULLEY BRACKET, AND SWINGING WALL BRACKET ASSEMBLY.
 B. HOOD SHALL BE CONSTRUCTED OF SPUN ALUMINUM ALLOY. HOOD SHALL BE 44" DIAMETER.
 C. VENTING HOSE SHALL INCLUDE ALUMINUM INNER AND OUTER SURFACES. UNIT SHALL INCLUDE CONTROL SWITCH AND PLUG. VENTING KIT INCLUDING ALL NECESSARY CLAMPS. OVERHEAD COUNTERWEIGHT PULLEY SYSTEM, WALL BRACKETS, 12" OF 6" FLEXIBLE HOSE, AND MOUNTING PLATES AND ACCESSORY HARDWARE.
 D. SYSTEM SHALL INCLUDE A NOMINAL 500 CFM EXHAUSTER WITH 1/2 HP MOTOR, A SPUN ALUMINUM HOOD VENT-A-KILN MODEL 1544, 2 SPEED WALL MOUNTED FAN CONTROLLER, OVERHEAD COUNTERWEIGHT PULLEY SYSTEM, WALL BRACKETS, 12" OF 6" FLEXIBLE HOSE, AND MOUNTING PLATES AND ACCESSORY HARDWARE.
 E. INSTALL AS RECOMMENDED BY THE MANUFACTURER.



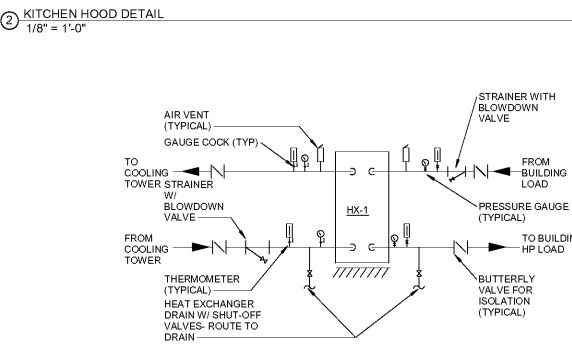
1. KILN HOOD VENT DETAIL
1/8" = 1'-0"



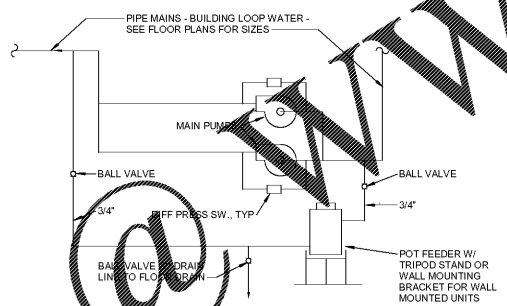
3. WSHP FILTER BOX
1/8" = 1'-0"



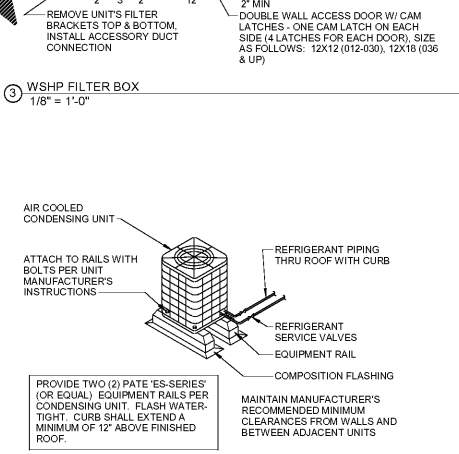
13. REFRIGERANT PIPING SUPPORT DETAIL
1/8" = 1'-0"



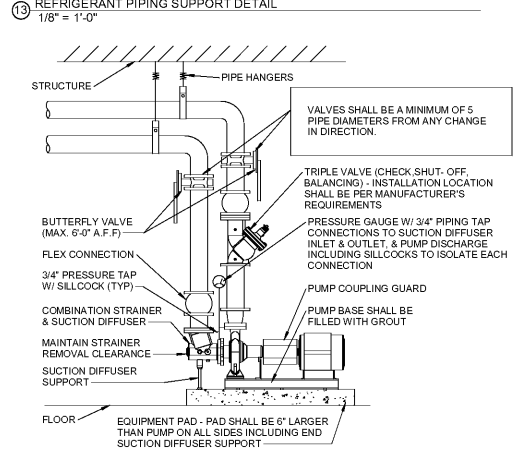
2. WATER TO WATER HEAT EXCHANGER PIPING DETAIL
1/8" = 1'-0"



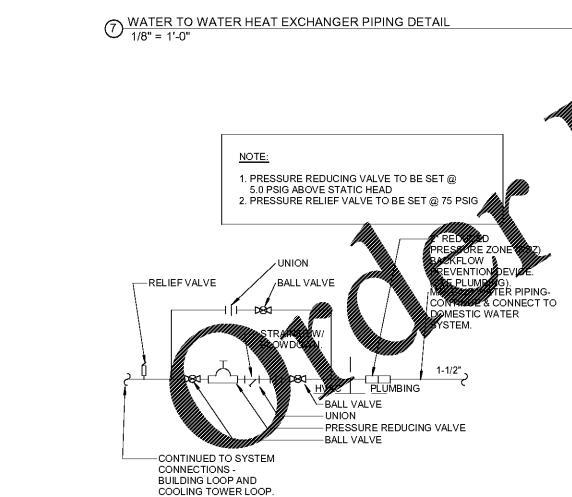
6. WATER TREATMENT PIPING SCHEMATIC - CLOSED LOOP PIPING
1/8" = 1'-0"



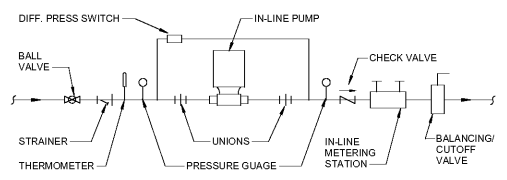
4. CONDENSING OR HEAT PUMP UNIT INSTALLATION DETAIL
1/8" = 1'-0"



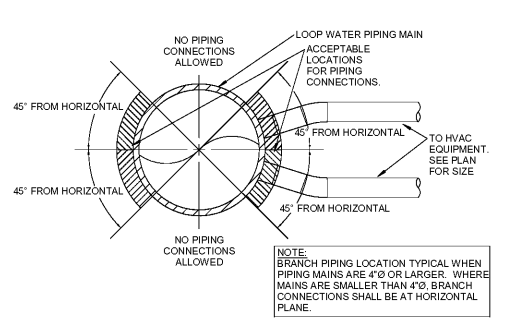
10. PUMP PIPING DETAIL
1/8" = 1'-0"



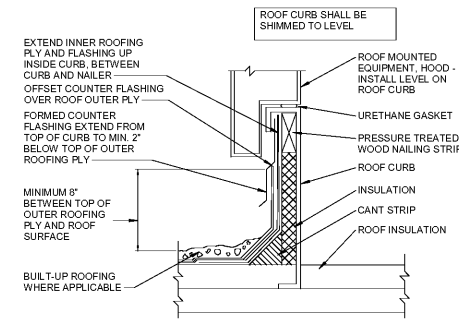
7. MAKE-UP WATER PIPING DETAIL
1/8" = 1'-0"



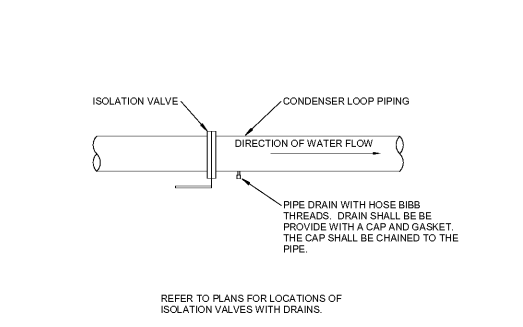
8. IN-LINE PUMP DETAIL
1/8" = 1'-0"



11. BRANCH PIPING CONNECTION TO MAIN
1/8" = 1'-0"



5. TYPICAL ROOF CURB INSTALLATION DETAIL
1/8" = 1'-0"



12. ISOLATION VALE WITH DRAIN
1/8" = 1'-0"

NOTE:
 1. PRESSURE REDUCING VALVE TO BE SET @ 5.0 PSIG ABOVE STATIC HEAD
 2. PRESSURE RELIEF VALVE TO BE SET @ 75 PSIG

MBA CONSULTING ENGINEERS
 MBE # 18033
 MATHESON-BALL & ASSOCIATES, INC.
 11285 ELKINS RD, SUITE F3
 BROWNSVILLE, TEXAS 77824
 PHONE: (770) 751-0772
 WWW.MATHESONBALL.COM

One Piedmont Center, Suite 303 3565 Piedmont Road Atlanta, Georgia 30305

Smallwood, Reynolds, Stewart, Stewart & Associates, Inc. Architects

HVAC DETAILS

J.H. HOUSE ELEMENTARY SCHOOL
 3100 Zhigara Road NE, Conyers, GA 30012

DATE: _____

JOB NO: **218036.00**

SHEET NO: **M6-02**

ISSUED FOR CONSTRUCTION