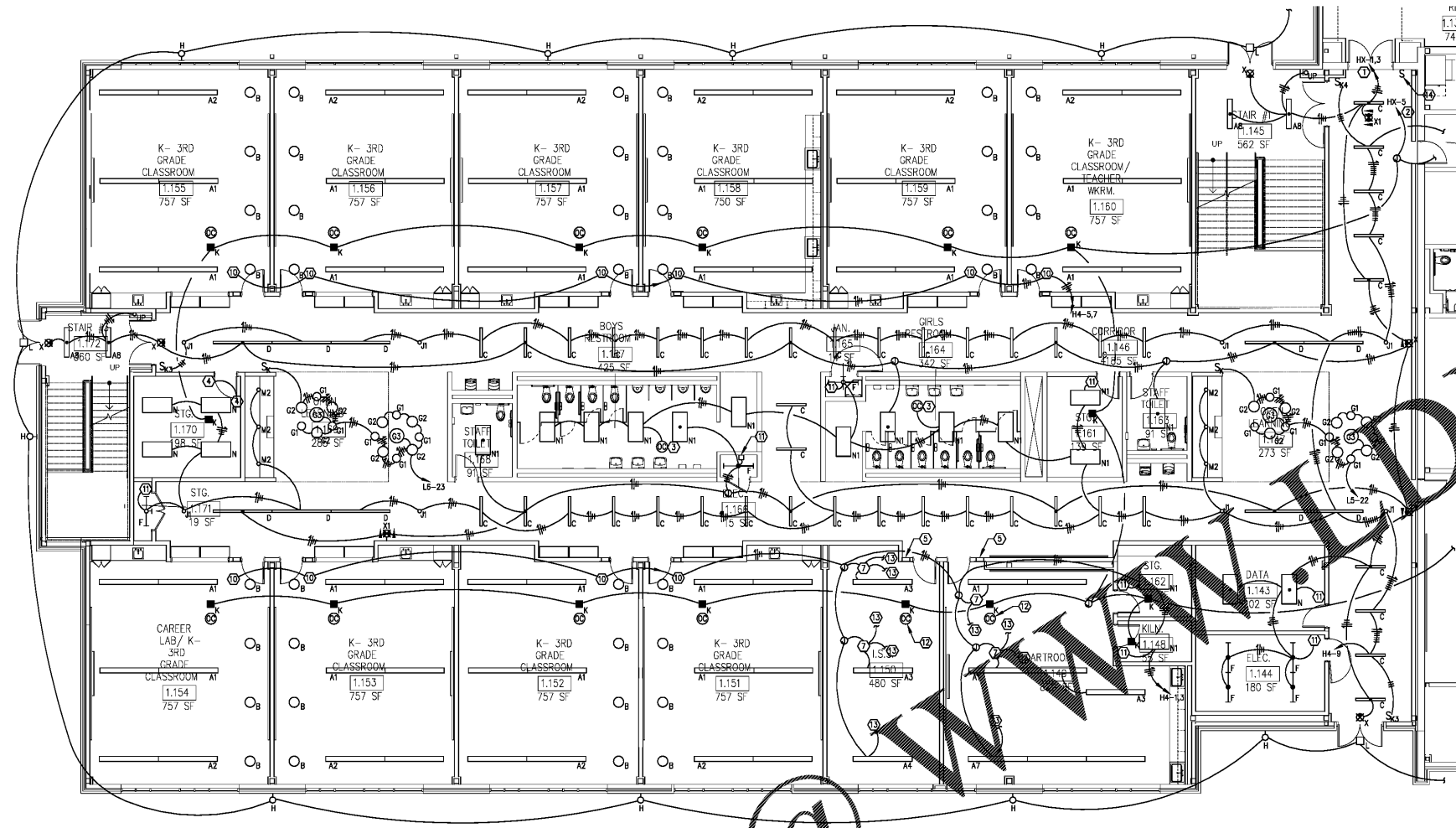
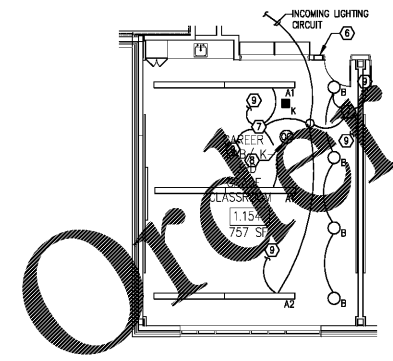


FIXTURE MOUNTING HEIGHTS (TO BOTTOM)		
FIXT. TYPE	LOCATION	MOUNTING HEIGHT
A-SERIES	CLASSROOMS	8'-6"
B	CLASSROOMS	8'-6"
D, J1	CORRIDORS	10'-0"

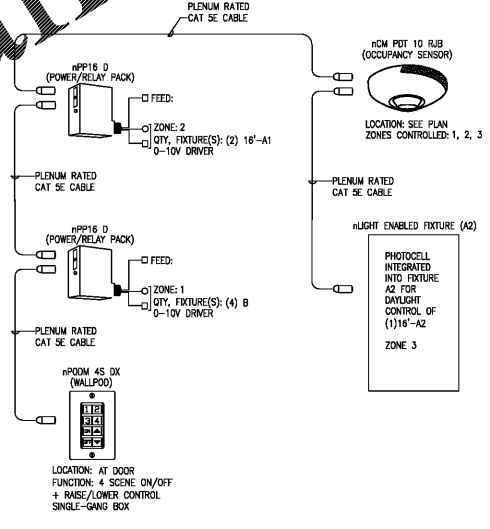
MOUNTING HEIGHTS APPLY TO THIS SHEET ONLY.



1 LEVEL 01 PART B - LIGHTING PLAN  
E2-01.B 1/8" = 1'-0"



2 TYPICAL CLASSROOM LIGHTING AND CONTROL PLAN  
E2-01.B 1/8" = 1'-0"  
(SEE NOTE 6)



3 CLASSROOM LIGHTING CONTROL WIRING DIAGRAM  
E2-01.B NOT TO SCALE

- NOTES:
- REFER TO ARCHITECTURAL REFLECTED CEILING PLAN FOR EXACT LOCATIONS OF LIGHTING FIXTURES WITHIN CEILING GRIDS AND WITHIN OPEN SPACES.
  - ALL CONDUITS ROUTED ABOVE CORRIDOR CEILINGS SHALL BE MOUNTED ABOVE MECHANICAL UNITS, AND OUT OF THE UNIT ACCESS SPACE.
  - ALTERNATE CIRCUITING OF EMERGENCY FIXTURES SO THAT EVERY OTHER FIXTURE IS ON THE SAME CIRCUIT.
  - REFER TO ARCHITECTURAL ELEVATIONS FOR EXACT LOCATIONS OF EXTERIOR BUILDING MOUNTED FIXTURES.
  - ACTUAL CEILING MOUNTED OCCUPANCY SENSOR LOCATIONS AND COVERAGE PATTERNS SHALL BE DETERMINED BY THE DEVICE MANUFACTURER. COORDINATE INSTALLATION LOCATION AND RANGE WITH THE MANUFACTURER PRIOR TO ROUGH-IN AND ORDER PLACEMENT.
  - PRIOR TO INSTALLING LIGHTING AND CONTROLS IN CLASSROOMS THROUGHOUT THE BUILDING, PROVIDE COMPLETE MOCK-UP OF A LIGHTING AND CONTROL INSTALLATION IN ONE CLASSROOM FOR REVIEW AND APPROVAL BY THE OWNER, ARCHITECT, AND ENGINEER.

- KEYNOTES:
- ROUTE POWER THROUGH THE NEAREST MECHANICAL CONTRACTOR CE-1 IN ELECTRICAL ROOM 1.222. SEE SHEET E2-04.
  - ROUTE WIRING TO EACH EMERGENCY DOWNLIGHT CONTRACTOR CE-2 IN ELECTRICAL ROOM 1.222. SEE SHEET E2-04.
  - PROVIDE INSTANTANEOUS LINE VOLTAGE OCCUPANCY SENSOR FOR CONTROL OF LIGHTS IN THE ROOM. ACTIVITY CM-100B-PRIOR APPROVED EQUAL.
  - PROVIDE DIMMING OCCUPANCY SENSOR WALL SWITCH WITH 0-10V DIMMING AND BUILT-IN DUAL TECHNOLOGY OCCUPANCY SENSOR. ACTIVITY WSX-POT-0 OR PRIOR APPROVED EQUAL. ROUTE CONTROL WIRING FROM THE SWITCH TO THE DIMMING BALLASTS IN THE FIXTURES. CONTROL WIRING SHALL BE PROVIDED WITH BODY INSULATION SO THAT IT CAN BE ROUTED IN THE SAME CONDUIT AS LINE VOLTAGE CONDUCTORS.
  - PROVIDE ACTIVITY #PDM-4S-DX WALLPOD SCENE CONTROLLER FOR ON/OFF AND DIMMING CONTROL OF LIGHTING IN THE ROOM. ROUTE CAT 5E CABLE TO THE NEAREST #LIGHT DEVICE AND DASY CHAIN. CONTROLS SHALL BE SIMILAR TO THE CLASSROOM LIGHTING CONTROL WIRING DIAGRAM, 3/E2-01.B. PROVIDE CUSTOM ENGRAVED LABELING OF THE SCENE BUTTONS AS DIRECTED BY THE OWNER.
  - PROVIDE ACTIVITY #PDM-4S-DX WALLPOD SCENE CONTROLLER FOR ON/OFF AND DIMMING CONTROL OF LIGHTING IN THE ROOM. ROUTE CAT 5E CABLE TO THE NEAREST #LIGHT DEVICE AND DASY CHAIN. REFER TO CLASSROOM LIGHTING CONTROL WIRING DIAGRAM, 3/E2-01.B. PROVIDE CUSTOM ENGRAVING OF THE SCENE BUTTONS AS DIRECTED BY THE OWNER.
  - PROVIDE ACTIVITY #PP16-D POWER/RELAY PACK MOUNTED IN A JUNCTION BOX ABOVE THE CEILING FOR ZONES 1 AND 2. ROUTE 0-10V CONTROL WIRING TO THE LIGHTING FIXTURES.
  - ACTIVITY #CM-POT-10-AR DUAL TECHNOLOGY OCCUPANCY SENSOR WITH AUXILIARY RELAY. ROUTE CAT 5E CABLE TO THE NEAREST #LIGHT DEVICE AND DASY CHAIN. REFER TO CLASSROOM LIGHTING CONTROL WIRING DIAGRAM, 3/E2-01.B. COORDINATE EXACT INSTALLATION LOCATION WITH THE MANUFACTURER TO PROVIDE OPTIMAL COVERAGE OF THE ROOM. AUXILIARY RELAY TO BE USED BY THE MECHANICAL CONTRACTOR FOR CONTROL OF THE WSP SERVING THE ROOM.
  - DASY CHAIN THE #LIGHT DEVICES TOGETHER WITH PLENUM RATED CAT 5E CABLE. REFER TO CLASSROOM LIGHTING CONTROL WIRING DIAGRAM, 3/E2-01.B.
  - INCOMING LIGHTING CIRCUIT. REFER TO TYPICAL CLASSROOM LIGHTING AND CONTROL PLAN, 2/E2-01.B, AND CLASSROOM LIGHTING CONTROL WIRING DIAGRAM, 3/E2-01.B, FOR POWER AND CONTROL WIRING OF LIGHTING IN TYPICAL CLASSROOMS AND LABS.
  - PROVIDE LINE VOLTAGE ON/OFF SWITCH WITH DUAL TECHNOLOGY OCCUPANCY SENSOR. ACTIVITY WSX-POT OR PRIOR APPROVED EQUAL.
  - ACTIVITY #CM-POT-10-AR DUAL TECHNOLOGY OCCUPANCY SENSOR WITH AUXILIARY RELAY. ROUTE CAT 5E CABLE TO THE NEAREST #LIGHT DEVICE AND DASY CHAIN. CONTROLS SHALL BE SIMILAR TO THE CLASSROOM LIGHTING CONTROL WIRING DIAGRAM, 3/E2-01.B. AUXILIARY RELAY TO BE USED BY THE MECHANICAL CONTRACTOR FOR CONTROL OF THE WSP SERVING THE ROOM.
  - DASY CHAIN THE #LIGHT DEVICES TOGETHER WITH CAT 5E CABLE, SIMILAR TO THE CLASSROOM LIGHTING CONTROL WIRING DIAGRAM, 3/E2-01.B.
  - PROVIDE MOMENTARY SWITCH FOR OVERRIDE OF THE AUTOMATIC, TIME-OF-DAY LIGHTING SHUT-OFF BY THE MECHANICAL EMS SYSTEM. ROUTE CONTROL WIRING IN 1/2" CONDUIT TO THE EMS PANEL IN MAIN MECHANICAL ROOM 1.223. PROVIDE AN ENGRAVED LABEL ON THE WALL ABOVE THE SWITCH WITH 3/8" TEXT READING "LIGHTING SHUT-OFF OVERRIDE".

REVISIONS / PRINTED	
REV. NO.	DATE
06/16/19	ISSUED FOR SET
10/01/19	ISSUED FOR PERMIT/ADDC

INSTRUCTIONAL UNITS	
REGULAR CLASSROOMS	45
PAIRED FLEX AREAS	2
MUSICAL EDUCATION	1
MEDIA CENTER	1
LAB	1
TOTAL	51

BUILDING AREA	
LEVEL 01	71,452 SF
TOTAL	1,028,337 SF

COVERED AREAS (LE CHAIRS)	
COVERED AREAS	51,180 SF
CHAIRS	17,000 SF
TOTAL	68,180 SF

PROJECT SUMMARY  
 NAME: J.H. HOUSE ELEMENTARY SCHOOL  
 GRADES: PRE-K THRU 5TH  
 G.D.C.E.# TO BE ASSIGNED

RCPS

DATE: 10-01-2019  
 JOB NO: 218036.00  
 SHEET NO: E2-01.B

Order Plans @ [www.dline.com](http://www.dline.com)

Smallwood, Reynolds, Stewart, Stewart & Associates, Inc. Architects  
 One Piedmont Center, Suite 303 3565 Piedmont Road Atlanta, Georgia 30305

ISSUED FOR CONSTRUCTION