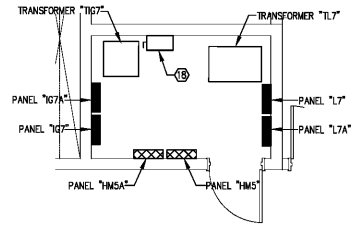
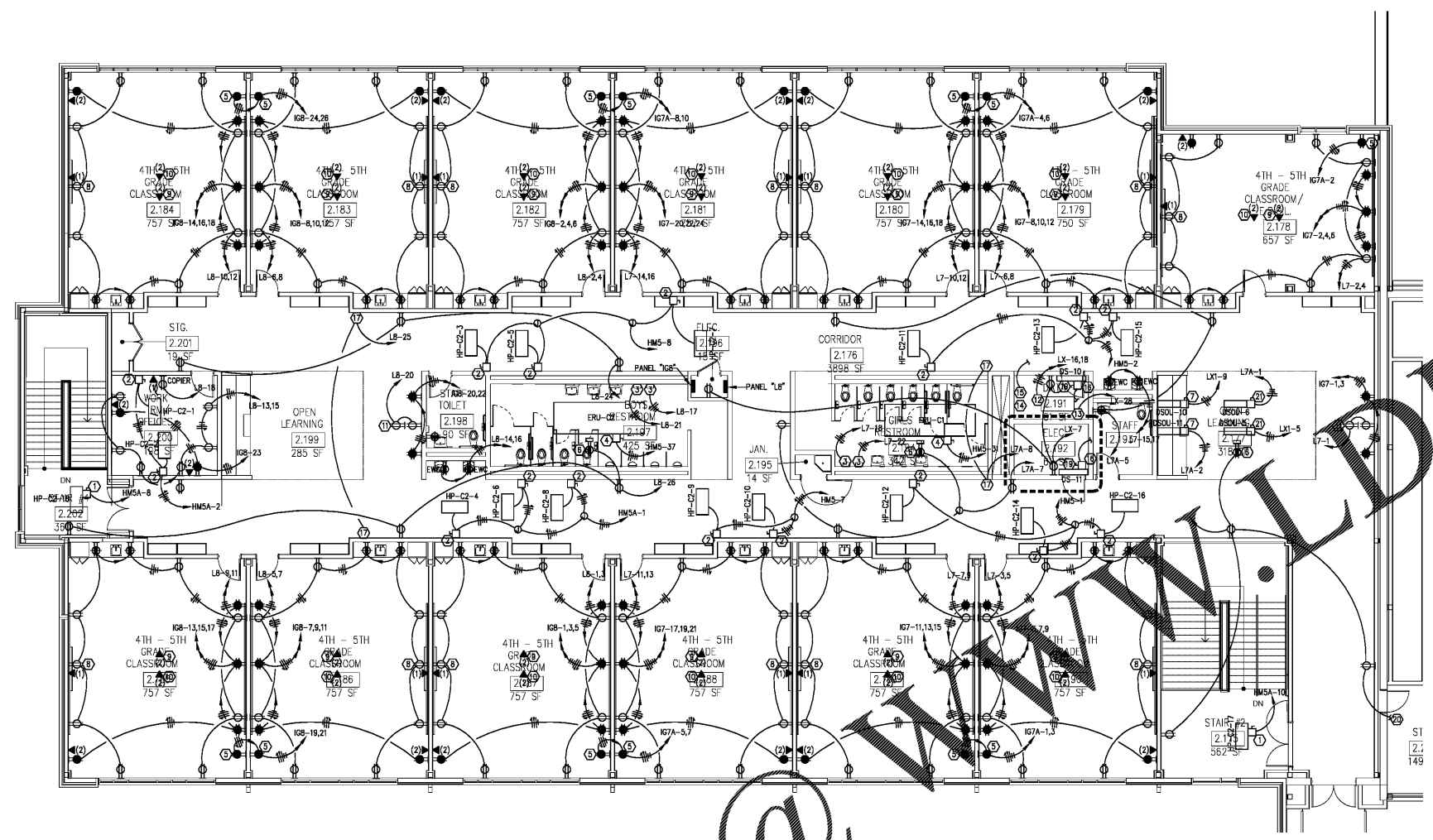


Order Plans



- NOTES:**
- PROVIDE FUSES IN ALL DISCONNECT SWITCHES SERVING MECHANICAL EQUIPMENT AND INDICATED AS "FUSE". FUSES SHALL BE SIZED PER THE MAXIMUM FUSE SIZE RATING IN THE NAMEPLATE DATA.
 - COORDINATE EXACT LOCATIONS OF MECHANICAL EQUIPMENT WITH MECHANICAL CONTRACTOR PRIOR TO ROUGH-IN.
 - ALL CONDUITS ROUTED IN CORRIDOR CEILING SPACE SHALL BE ROUTED ABOVE MECHANICAL EQUIPMENT, AND OUT OF THE UNIT ACCESS SPACES.
 - CONDUITS SERVING MECHANICAL EQUIPMENT IN THE CEILING SPACE SHALL BE ROUTED FROM THE LOAD SIDE OF THE DISCONNECT SWITCH UP TO STRUCTURE AND ACROSS TO ABOVE THE MECHANICAL EQUIPMENT WITH A FLEXIBLE CONNECTION DOWN TO THE UNIT.
 - REFER TO MECHANICAL PLANS FOR LOCATIONS OF THERMOSTATS. PROVIDE A SINGLE GANG BOX AT EACH LOCATION, EITHER HORIZONTALLY OR VERTICALLY MOUNTED AS DIRECTED BY THE MECHANICAL CONTRACTOR. ROUTE 1/2" CONDUIT WITH PULL WIRE FROM THE BOX TO THE UNIT BEING CONTROLLED BY THE THERMOSTAT (AS INDICATED ON THE MECHANICAL PLANS).
 - REFER TO KEYNOTES IN EACH OF FIVE DATA ROOMS FOR FIBER OPTIC CABLING REQUIREMENTS BETWEEN THE MDF ROOM AND EACH DATA ROOM.
 - DATA CABLING ROUTED TO THE MDF OR DATA CLOSETS SHALL BE INSTALLED AS A 30-FOOT SERVICE LOOP AT STRUCTURE. LABEL EACH END OF EACH CABLE WITH PRE-PRINTED LABELS, BRADY OR EQUAL, USING A NUMBERING OR LABELING SCHEME DETERMINED BY THE OWNER.
 - WHERE DEVICES ARE SHOWN GROUPED TOGETHER ON THIS PLAN, THEY SHALL BE INSTALLED GROUPED TOGETHER.
- KEYNOTES:**
- 30A/2P FUSE DISCONNECT SWITCH MOUNTED ABOVE CEILING.
 - 30A/3P FUSE DISCONNECT SWITCH MOUNTED ABOVE CEILING.
 - MAKE CONNECTION TO ELECTRIC HAND DRYER. COORDINATE EXACT LOCATION WITH ARCHITECT PRIOR TO ROUGH-IN.
 - 60A/3P FUSE/RT DISCONNECT SWITCH.
 - OUTLET FOR IPAD CHARGING STATION.
 - PROVIDE DUPLEX GFCI OUTLET WITH WEATHER PROOF COVER PEDESTAL MOUNTED ADJACENT TO THE ROOF TOP EQUIPMENT.
 - 30A/2P FUSE/RT DISCONNECT SWITCH.
 - DUPLEX RECEPTACLE AND DATA OUTLET AT THE FLAT PANEL DISPLAY SHALL BE MOUNTED HIGH ON THE WALL BEHIND THE DISPLAY. SEE FRONT OF CLASSROOM ELEVATION, SHEET E5-01.
 - PROVIDE TWO 12-FOOT COILS OF CAT 6E DATA CABLING IN A 6"x6" BOX AT STRUCTURE FOR OWNER'S CONNECTION TO WIRELESS ACCESS POINT. PROVIDE BOX WITH 3/4" BUSHED OPENING FOR ROUTING CABLING TO ANTENNA.
 - PROVIDE TWO 12-FOOT COILS OF CAT 6E DATA CABLING IN A 6"x6" BOX AT STRUCTURE FOR FUTURE CAMERA. PROVIDE BOX WITH 3/4" BUSHED OPENING FOR ROUTING CABLING TO CAMERA.
 - MOUNT ONE DUPLEX RECEPTACLE AT NORMAL OUTLET HEIGHT AND THE OTHER HIGH ON THE WALL BEHIND THE DISPLAY. COORDINATE MOUNTING HEIGHT OF THE DISPLAY OUTLET WITH THE OWNER PRIOR TO ROUGH-IN.
 - PROVIDE TWO CIRCUITS, EACH WITH A DEDICATED NEUTRAL CONDUCTOR, FOR USE BY THE OWNER'S DATA INSTALLERS. PROVIDE ALLOWANCE IN BID TO EXTEND AND TERMINATE THE CIRCUITS AS DIRECTED BY THE DATA INSTALLERS.
 - MAKE CONNECTION TO WALL MOUNTED INTERCOM RACK. PROVIDE RECEPTACLE AT RACK HEIGHT OR HARD-WIRED CONNECTION AS REQUIRED.
 - PROVIDE 8-FOOT COIL OF #6 COPPER GROUND WIRE AT THE FLOOR IN THE MDF AND DATA ROOMS. EXTEND CONDUCTOR IN 1/2" CONDUIT UP TO STRUCTURE AND BOND.
 - PROVIDE 6-STRAND SINGLE MODE, 10-GIG PLENUM RATED FIBER CABLE FROM THE DATA ROOM TO MDF 2.128. ROUTE CABLE IN 1" CONDUIT DOWN TO THE FIRST FLOOR SLAB, AND EXTEND IN THE SLAB TO THE MDF. PROVIDE A 30-FOOT SERVICE LOOP AT EACH END OF THE CABLE FOR USE BY THE OWNER'S DATA INSTALLER.
 - PROVIDE A 30A/2P FUSE DISCONNECT SWITCH MOUNTED HIGH ON THE WALL OR ABOVE THE CEILING. ROUTE CONDUIT DOWN IN WALL AND MAKE CONNECTION TO THE DUCTLESS SPLIT FAN COIL UNIT. FAN COIL IS POWERED FROM THE ROOF TOP HEAT PUMP (OSDU). ROUTE #2 CONDUCTORS AS DIRECTED BY THE MANUFACTURER IN 1/2" CONDUIT TO THE ASSOCIATED DUCTLESS SPLIT OUTDOOR UNIT.
 - PROVIDE JUNCTION BOX ABOVE THE CEILING FOR POWER TO PLUMBING TRAP PRIMERS. LOW VOLTAGE TRANSFORMERS AND CIRCUITING OF THE TRAP PRIMERS TO BE BY THE MECHANICAL CONTROLS CONTRACTOR. LABEL THE JUNCTION BOX COVER WITH THE CIRCUIT NUMBER AND "TRAP PRIMERS".
 - DISCONNECT SWITCH AT PRIMARY OF TRANSFORMER "TGT". SEE RISER DIAGRAM.
 - ROUTE CIRCUIT CONCEALED IN WALL FROM THE OUTLET TO A SINGLE POLE MANUAL STARTER ADJACENT TO THE DUCTLESS SPLIT FAN COIL UNIT. EXTEND CIRCUIT FROM THE LOAD SIDE OF THE MANUAL STARTER AND MAKE CONNECTION TO THE CONDENSATE PUMP.
 - SEE OUTLET IN STORAGE ROOM. SEE E1-01.A.
 - 60A/2P FUSE/RT DISCONNECT SWITCH.

Smallwood, Reynolds, Stewart, Stewart & Associates, Inc. Architects

One Piedmont Center, Suite 303 3565 Piedmont Road Atlanta, Georgia 30305

REV. NO.	DATE	REVISIONS / PRINTED
06/16/19	06/16/19	ISSUED FOR SET
10/01/19	10/01/19	ISSUED FOR PERMIT/ADDC

PROJECT SUMMARY
 NAME: J.H. HOUSE ELEMENTARY SCHOOL
 GRADES: PREK THRU 5TH
 G.D.C.E.# TO BE ASSIGNED

INSTRUCTIONAL UNITS
 REGULAR CLASSROOMS: 46
 PAIRED FLEX AREAS: 2
 MUSICAL EDUCATION: 1
 MEDIA CENTER: 1
 MEDIA CENTER: 1
 TOTAL: 51

BUILDING AREA
 LEVEL 01: 71,452 SF
 TOTAL: 108,337 SF
 COVERED AREAS (LE CHAIRS): 5,180 SF
 UNCOVERED AREAS (PERMITS): 7,255 SF
 TOTAL: 78,687 SF

DATE: 10-01-2019
 JOB NO: 218036.00
 SHEET NO: E1-02.C

J.H. HOUSE ELEMENTARY SCHOOL
 3100 Zingara Road NE, Conyers, GA 30012

ISSUED FOR CONSTRUCTION