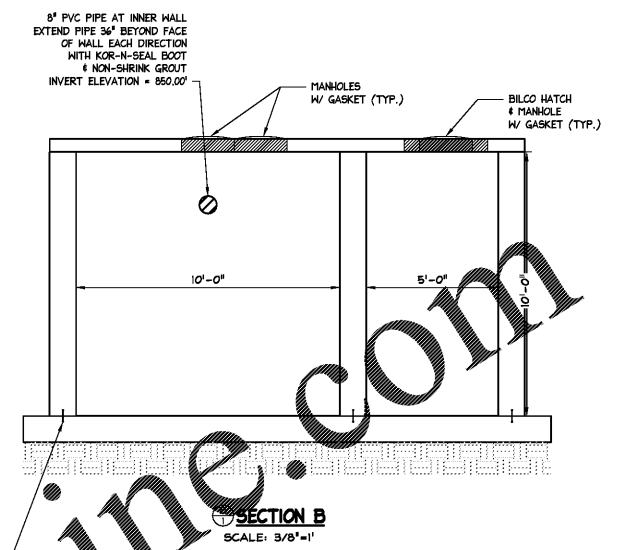
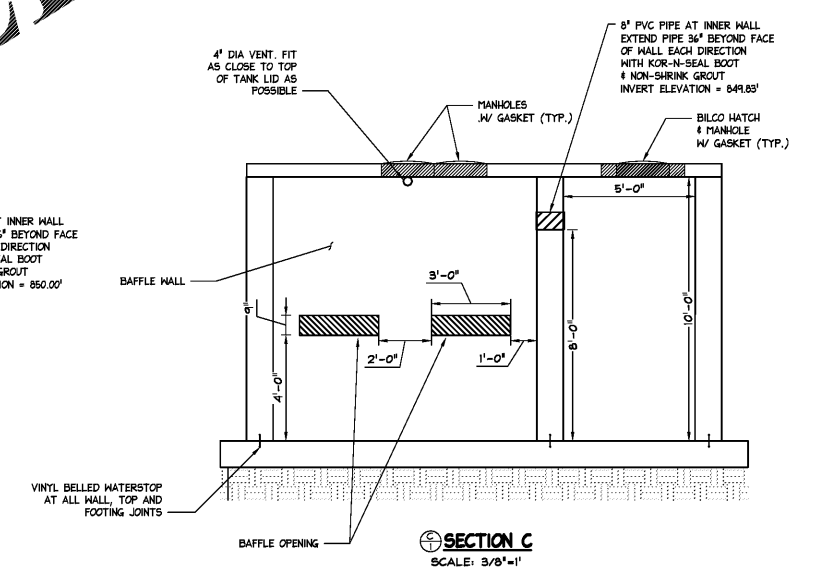


NOTE: STRUCTURAL DESIGN TO BE PROVIDED BY CONTRACTOR AND SUBMITTED TO ENGINEER FOR REVIEW

NOTE: INLET AND OUTLET BLOCKOUTS TO BE FIELD LOCATED BY CONTRACTOR. PIPING SHOWN TO BE CAST WITH CONCRETE.



VINYL BELLED WATERSTOP AT ALL WALL, TOP AND FOOTING JOINTS



SEPTIC TANK NOTES

- DRAINAGE
 - GRADES ARE TO SLOPE AWAY FROM THE TANK.
 - DO NOT GRADE SUCH THAT WATER ACCUMULATES BEHIND THE WALL.
 - BENCH CUT ALL DIGAVATIONS FOR THE SLOPE AND HALL.
- FOR THE GRADING SEE CIVIL DRAWINGS. GRADING AROUND WALL SHALL PREVENT ANY PONDING ABOVE AND NEXT TO THE WALL.
- ALL WORK IS TO COMPLY WITH OSHA, OTHER LIFE SAFETY CODES, APPLICABLE BUILDING CODES AND PRUDENT SAFETY MEASURES.
- CONTACT THE ENGINEER IF THE CONDITIONS DIFFER FROM WHAT IS SHOWN ON THE DRAWING.
- THE CONTRACTOR IS TO ADHERE TO ALL APPLICABLE LIFE SAFETY BUILDING CODES AND OTHER INDUSTRY STANDARDS.
- THE CONTRACTOR IS TO LOCATE ALL SLEEVES, PENETRATION, ETC. IF ANY OPENING EXCEEDS 12 INCHES IN ANY DIRECTION, CONTACT THE ENGINEER. PROVIDE LEAK TESTS AS REQUIRED.
- TEST CYLINDERS AND SLUMP TESTS ARE TO BE PROVIDED FOR EACH 100 YARDS OF CONCRETE.

CAST-IN-PLACE SEPTIC TANK DETAIL



Smallwood, Reynolds, Stewart & Associates, Inc. Architects

One Piedmont Center, Suite 303 3565 Piedmont Road Atlanta, Georgia 30305

Carter & Sloop
CONSULTING ENGINEERS
CANTON MOULTREE
MACON ATHENS
1031 STONEBRIDGE PARKWAY WALKERSVILLE, GA 30677 706.768.4117 TEL: 706.767.4546 FAX: GA COA LICENSE # PF0901994 EXPIRES 6/30/2020

© COPYRIGHT 2018
REYNOLDS, STEWART & ASSOCIATES, INC.
ALL RIGHTS RESERVED. NO PART OF THIS DRAWING IS TO BE REPRODUCED OR TRANSMITTED IN ANY FORM OR BY ANY MEANS WITHOUT THE WRITTEN PERMISSION.

GEORGIA REGISTERED PROFESSIONAL ENGINEER
No. 25425
MARTIN C. BOYLE
08/05/16

J.H. HOUSE ELEMENTARY SCHOOL
2971 NE HIGHWAY 20, Conyers, GA 30012

DATE: _____
JOB NO: 218036.00
CAS PROJ. NO: S4800.002
SHEET NO: _____

C9

ISSUED FOR CONSTRUCTION