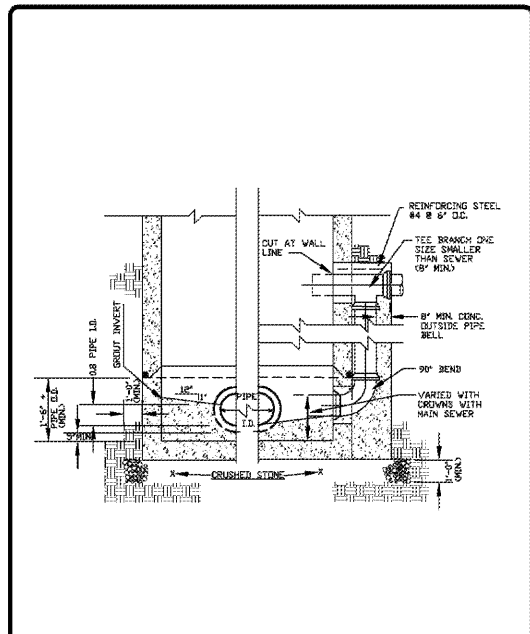
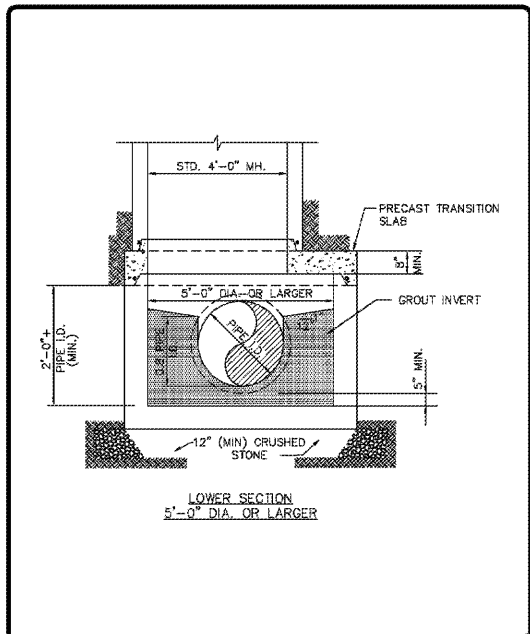


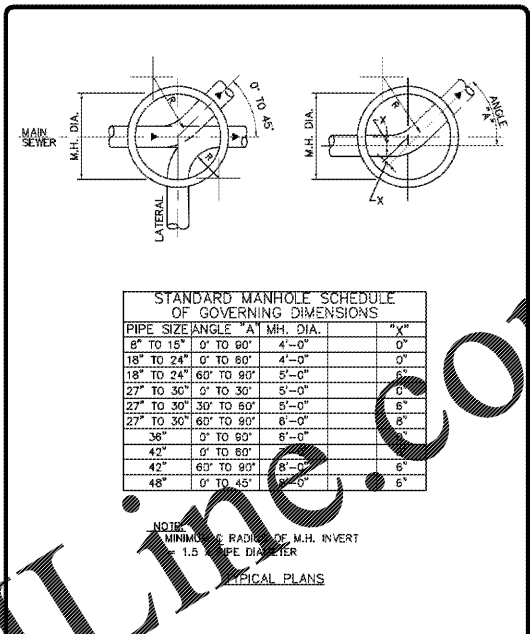
R PRECAST CONCRETE MANHOLE DETAIL NOT TO SCALE STANDARD DRAWING No. B-1
ROCKDALE WATER RESOURCES



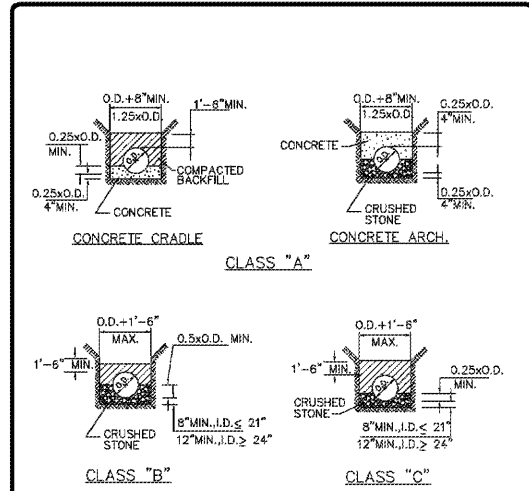
R OUTSIDE DROP DETAIL NOT TO SCALE STANDARD DRAWING No. B-2
ROCKDALE WATER RESOURCES



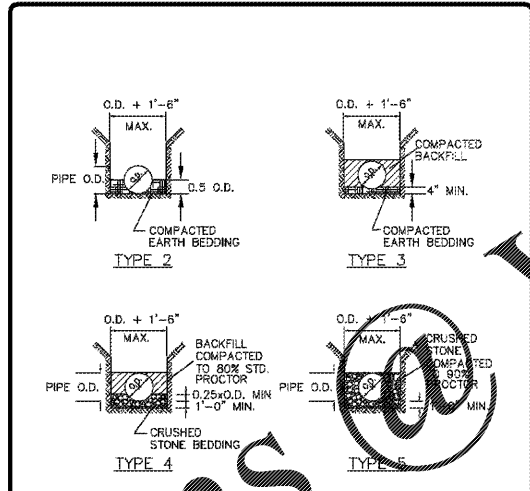
R PRECAST MANHOLE NOT TO SCALE STANDARD DRAWING No. B-3
ROCKDALE WATER RESOURCES



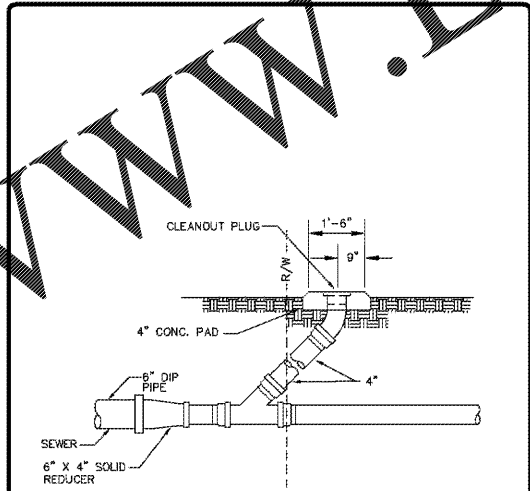
R STANDARD MANHOLE DETAIL NOT TO SCALE STANDARD DRAWING No. B-3
ROCKDALE WATER RESOURCES



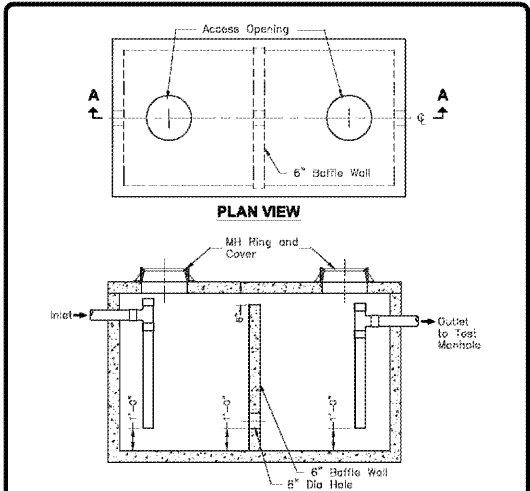
R TYPICAL PIPE BEDDING DETAILS NOT TO SCALE STANDARD DRAWING No. B-11
ROCKDALE WATER RESOURCES



R TYPICAL PIPE BEDDING DETAILS NOT TO SCALE STANDARD DRAWING No. B-12
ROCKDALE WATER RESOURCES



R CLEANOUT DETAIL NOT TO SCALE STANDARD DRAWING No. B-13
ROCKDALE WATER RESOURCES



R GREASE TRAP NOT TO SCALE STANDARD DRAWING No. B-21
ROCKDALE WATER RESOURCES

Order Plans

WWW.IDOnline.com

| REV. NO. | DATE | REVISIONS / PRINTED |
|----------|----------|---------------------|
| 1 | 04/05/19 | 0000 PRELIMINARY |
| 2 | 08/09/19 | 0010 PACKAGE |
| 3 | 08/16/19 | 0000 CHECK SET |

| INSTRUCTIONAL UNITS | REGULAR CLASSROOMS | MUSIC | PHYSICAL EDUCATION | ART | TOTAL |
|---------------------|--------------------|-------|--------------------|-----|-------|
| 45 | 4 | 1 | 1 | 1 | 51 |

| PROJECT SUMMARY | LEVEL OF | COVERED AREAS (SQ. FT.) | COVERED AREAS (SQ. FT.) | TOTAL |
|-----------------|-----------|-------------------------|-------------------------|-----------|
| 71,159 SF | 71,159 SF | 5,186 SF | 2,263 SF | 78,608 SF |



Smallwood, Reynolds, Stewart & Associates, Inc. Architects
 ROCKDALE COUNTY STANDARD DETAILS
 J.H. HOUSE ELEMENTARY SCHOOL
 3100 Zingira Road NE, Conyers, GA 30012

BREEDLOVE LAND PLANNING
 Landscape Architects • Civil Engineers
 www.landplanning.net
 BLP JOB # 18151
24-HR CONTACT INFORMATION
 BRUCE STUART
 OWNER/PRIMARY PERMITTEE
 ROCKDALE CO. PUBLIC SCHOOLS
 678-873-7942

ISSUED FOR CONSTRUCTION
 DATE
 JOB NO. **218036.00**
 SHEET NO.
C710

One Piedmont Center, Suite 303 3565 Piedmont Road Atlanta, Georgia 30305