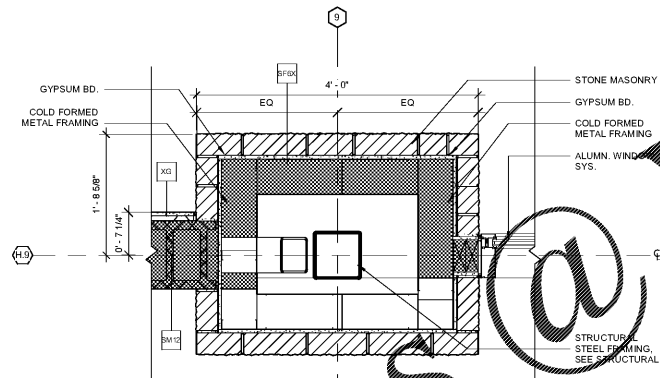
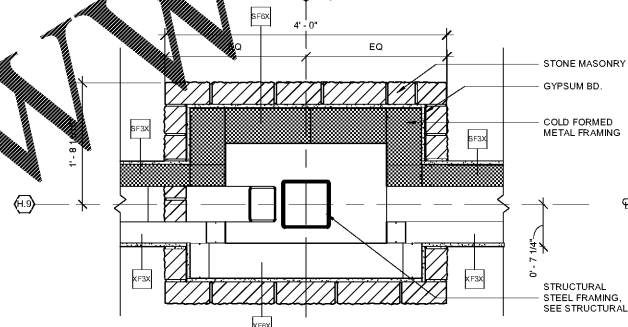


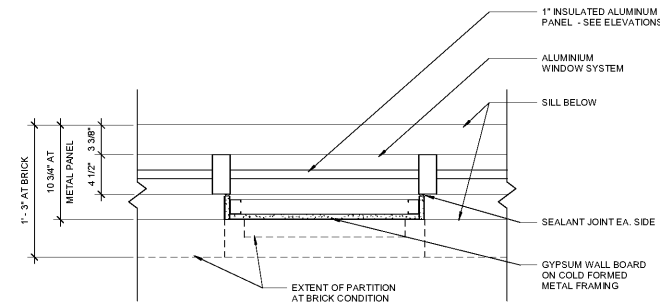
Order Plans @ WWW.LDILine.com



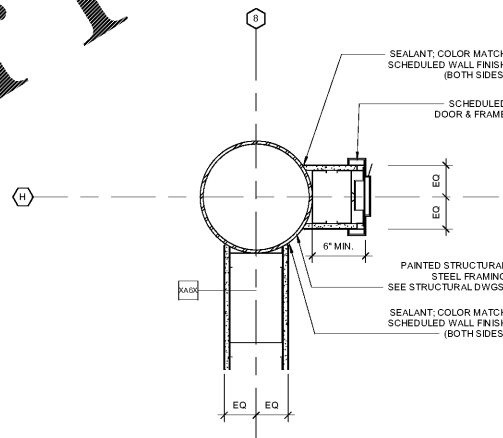
6 PLAN DETAIL AT GYM PILASTER  
A11-02 1 1/2" = 1'-0"



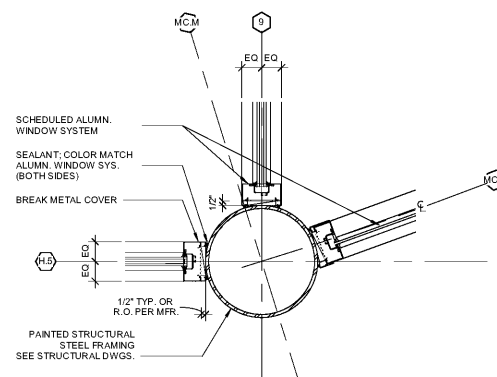
5 PLAN DETAIL AT GYM PILASTER - 1  
A11-02 1" = 1'-0"



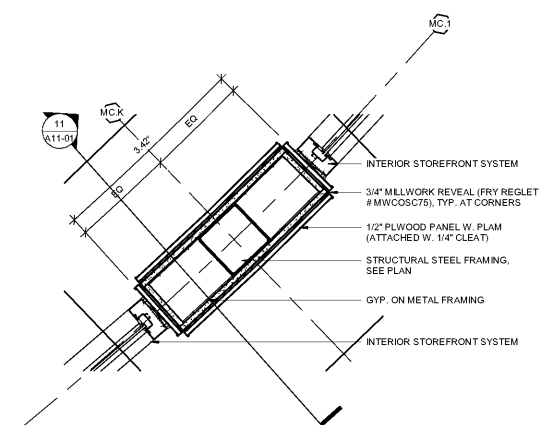
4 FURRING DETAIL AT EXT. WINDOW  
A11-02 1 1/2" = 1'-0"



3 PLAN DETAIL AT MEDIA CENTER  
A11-02 1 1/2" = 1'-0"



2 PLAN DETAIL AT MEDIA CENTER  
A11-02 1 1/2" = 1'-0"



1 PLAN DETAIL MEDIA CENTER CURVED WALL  
A11-02 1 1/2" = 1'-0"

Smallwood, Reynolds, Stewart & Associates, Inc. Architects

One Piedmont Center, Suite 303 3565 Piedmont Road Atlanta, Georgia 30305

**INTERIOR PLAN DETAILS**

**J.H. HOUSE ELEMENTARY SCHOOL**  
3100 Zingira Road NE, Conyers, GA 30012

DATE: 10-01-2019  
JOB NO: 218036.00  
SHEET NO: A11-02

ISSUED FOR CONSTRUCTION

REV. NO.	DATE	REMARKS
1	10/01/19	ISSUE FOR PERMIT
2		
3		
4		
5		
6		
7		
8		
9		
10		
11		
12		
13		
14		
15		
16		
17		
18		
19		
20		
21		
22		
23		
24		
25		
26		
27		
28		
29		
30		
31		
32		
33		
34		
35		
36		
37		
38		
39		
40		
41		
42		
43		
44		
45		
46		
47		
48		
49		
50		
51		
52		
53		
54		
55		
56		
57		
58		
59		
60		
61		
62		
63		
64		
65		
66		
67		
68		
69		
70		
71		
72		
73		
74		
75		
76		
77		
78		
79		
80		
81		
82		
83		
84		
85		
86		
87		
88		
89		
90		
91		
92		
93		
94		
95		
96		
97		
98		
99		
100		

PROJECT SUMMARY: J.H. HOUSE ELEMENTARY SCHOOL, GRADES PRE-K THROUGH 5TH, P.T.E. 800, C.D.O. # 10 TO BE ASSIGNED

REVISIONS / PRINTED: 45

REVISIONS / PRINTED	DATE	REMARKS
45		
46		
47		
48		
49		
50		
51		
52		
53		
54		
55		
56		
57		
58		
59		
60		
61		
62		
63		
64		
65		
66		
67		
68		
69		
70		
71		
72		
73		
74		
75		
76		
77		
78		
79		
80		
81		
82		
83		
84		
85		
86		
87		
88		
89		
90		
91		
92		
93		
94		
95		
96		
97		
98		
99		
100		

INSTRUCTIONAL UNITS: 45

INSTRUCTIONAL UNITS	REGULAR CLASSROOMS	REGULAR FLEX-AREAS	MUSIC	PHYSICAL EDUCATION	ART CENTER	ART	TOTAL
REGULAR CLASSROOMS	71,152 SF	3,238 SF	10,637 SF	5,198 SF	2,258 SF		92,483 SF
REGULAR FLEX-AREAS							
MUSIC							
PHYSICAL EDUCATION							
ART CENTER							
ART							
TOTAL							

COVERED AREAS (I.E. CANOPIES): 5,198 SF

COVERED AREAS (I.E. BY 2): 2,258 SF

TOTAL: 92,483 SF

RCPS

STATE OF GEORGIA

REGISTERED PROFESSIONAL ARCHITECT

SMALLWOOD, REYNOLDS, STEWART & ASSOCIATES, INC.

REGISTERED PROFESSIONAL ARCHITECTS

3100 ZINGIRA ROAD NE, CONYERS, GA 30012

PHYSICAL ADDRESS: 3100 ZINGIRA ROAD NE, CONYERS, GA 30012

PHONE: (770) 932-1111

FAX: (770) 932-1112

WWW.SRA-ARCHITECTS.COM