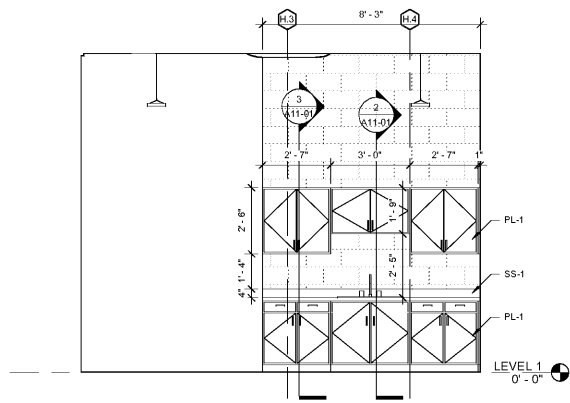
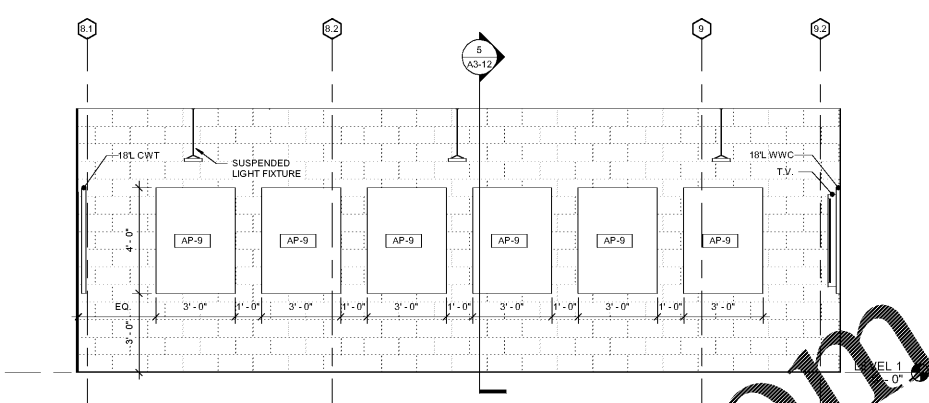


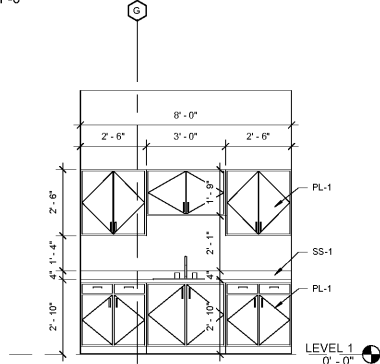
12 INTERIOR ELEVATION AT MAILROOM  
A10-07 1/2" = 1'-0"



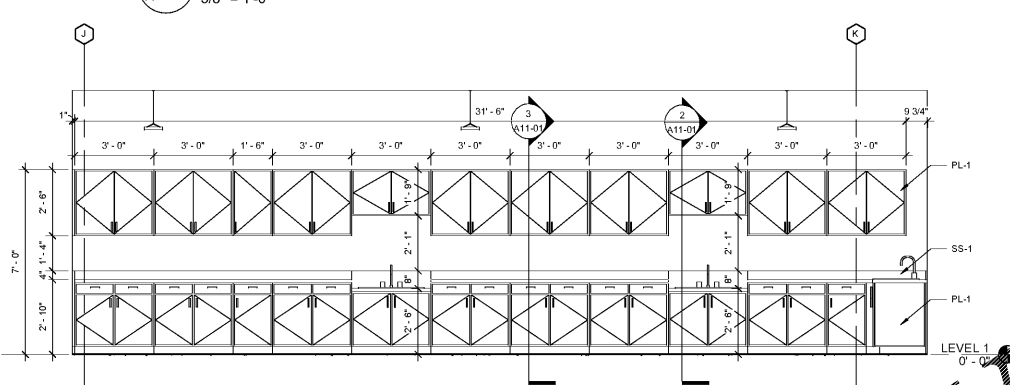
8 INTERIOR ELEVATION AT WORKROOM  
A10-07 3/8" = 1'-0"



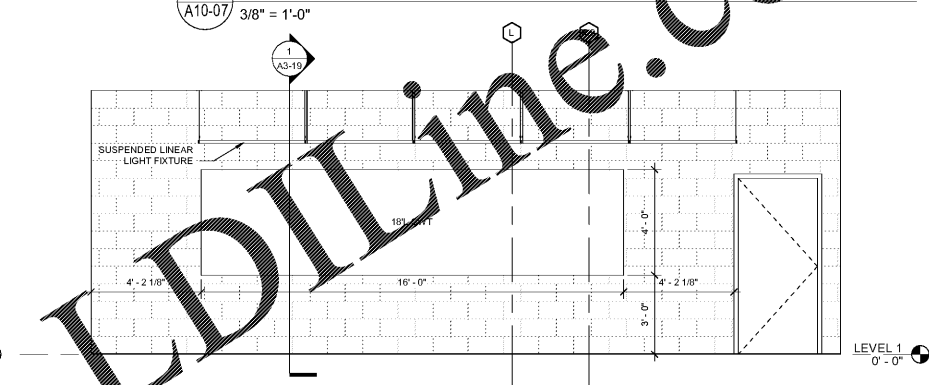
4 MUSIC ROOM ELEV - 4  
A10-07 3/8" = 1'-0"



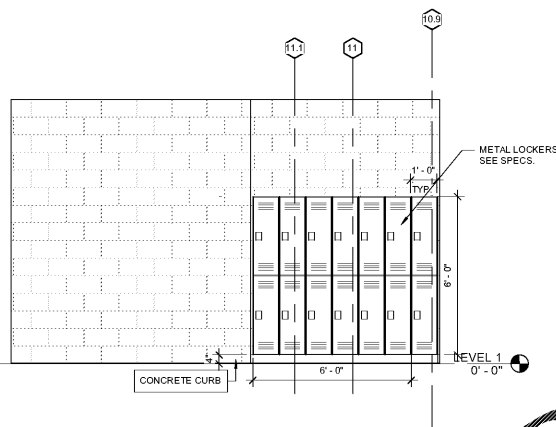
11 INTERIOR ELEVATION AT CLINIC  
A10-07 3/8" = 1'-0"



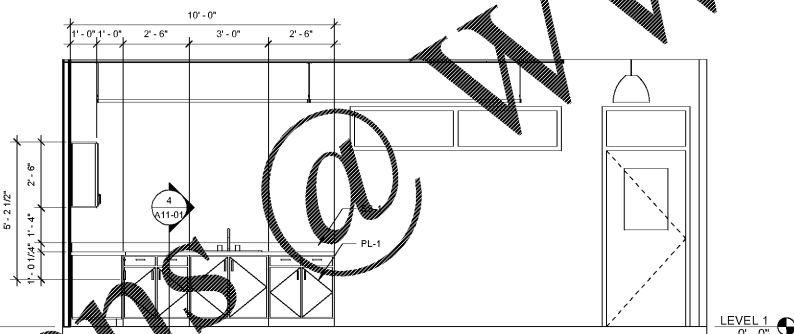
7 SCIENCE CLASSROOM MILLWORK - 1  
A10-07 3/8" = 1'-0"



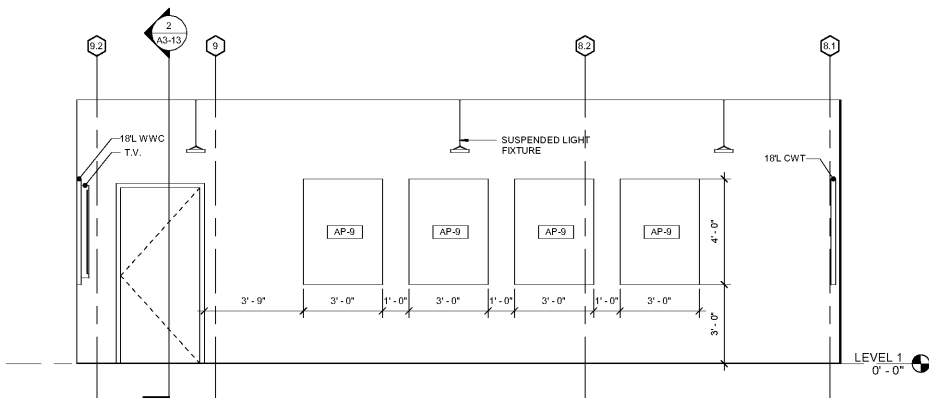
3 MUSIC ROOM ELEV - 3  
A10-07 3/8" = 1'-0"



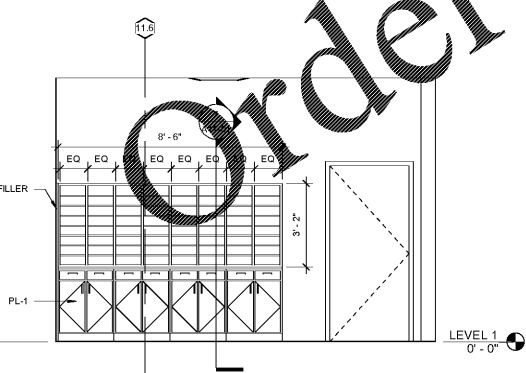
10 INTERIOR ELEVATION AT VESTIBULE  
A10-07 3/8" = 1'-0"



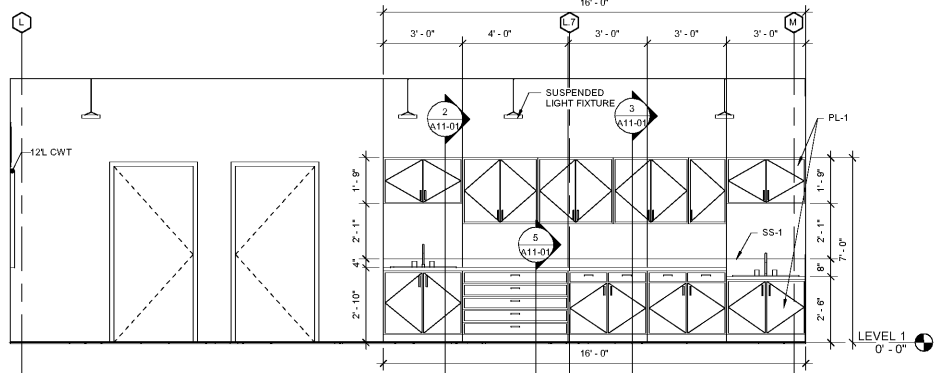
6 SCIENCE CLASSROOM MILLWORK  
A10-07 3/8" = 1'-0"



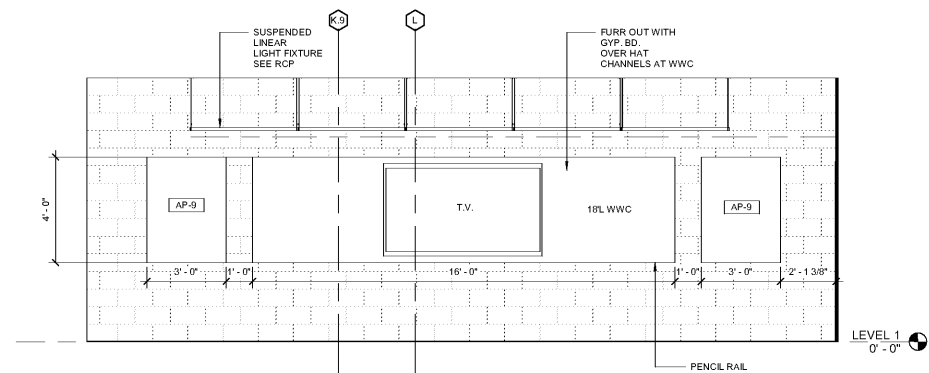
2 MUSIC ROOM ELEV - 2  
A10-07 3/8" = 1'-0"



9 INTERIOR ELEVATION MAIL BIN  
A10-07 3/8" = 1'-0"



5 ART ROOM MILLWORK  
A10-07 3/8" = 1'-0"



1 MUSIC ROOM ELEV - 1  
A10-07 3/8" = 1'-0"

Order Plans @ WWW.LDILine.com

One Piedmont Center, Suite 303 3565 Piedmont Road Atlanta, Georgia 30305

Smallwood, Reynolds, Stewart & Associates, Inc. Architects

Table with 3 columns: REV. NO., DATE, REMARKS. Contains revision history for the drawing.

Table with 2 columns: PROJECT SUMMARY, INSTRUMENTAL UNITS. Lists project details and unit counts.



MUSIC ROOM AND MILLWORK ELEVATIONS  
J.H. HOUSE ELEMENTARY SCHOOL  
3100 Zingira Road NE, Conyers, GA 30012  
DATE: 10-01-2019  
JOB NO.: 218036.00  
SHEET NO.: A10-07  
ISSUED FOR CONSTRUCTION