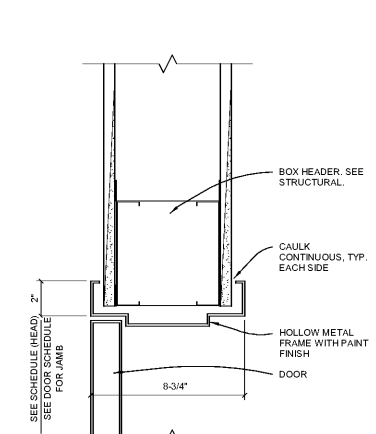
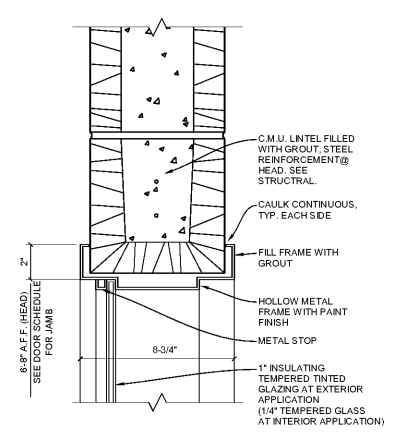


**H6 HEAD DETAIL**  
3" = 1'-0"



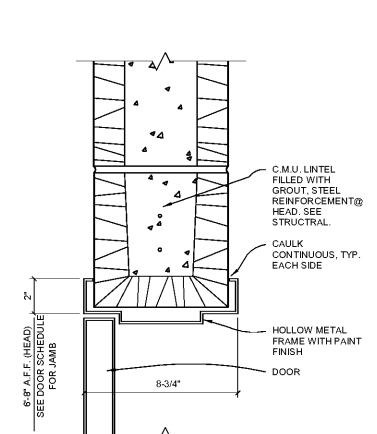
**H5 HEAD DETAIL**  
3" = 1'-0"



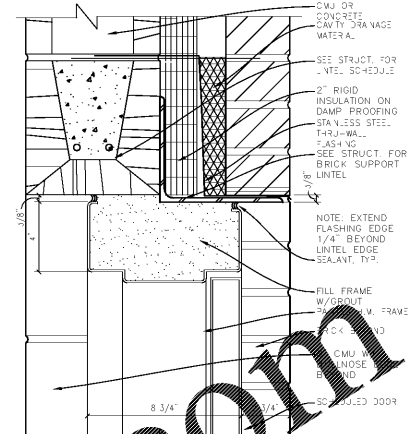
**H4 HEAD DETAIL**  
3" = 1'-0"



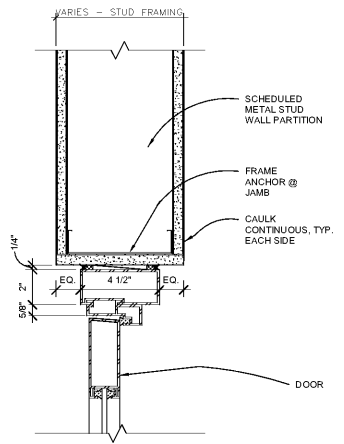
**H3 NOT USED**  
3" = 1'-0"



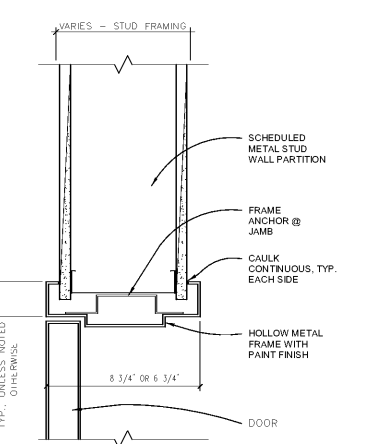
**H2 HEAD DETAIL**  
3" = 1'-0"



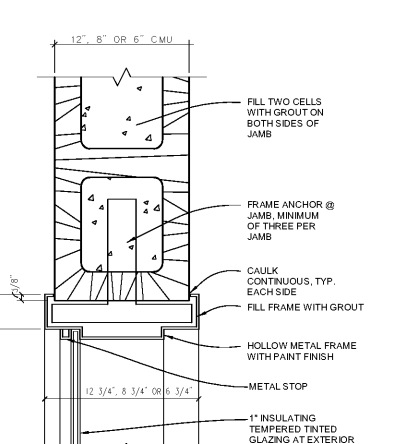
**H1 HEAD DETAIL**  
3" = 1'-0" EXTERIOR DOOR



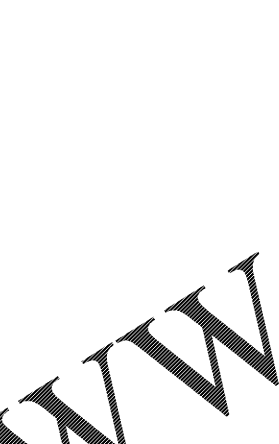
**J6 JAMB DETAIL**  
3" = 1'-0"



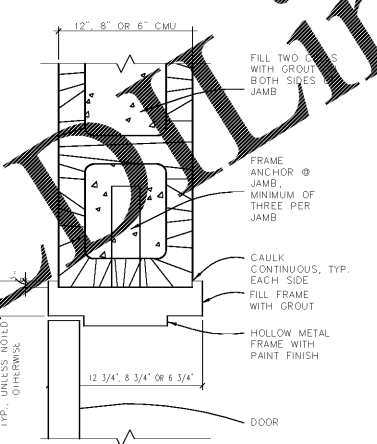
**J5 JAMB DETAIL**  
3" = 1'-0"



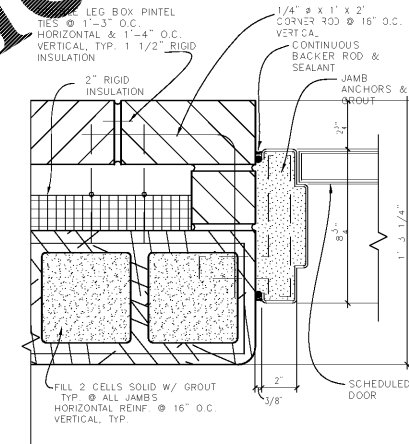
**J4 JAMB DETAIL**  
3" = 1'-0"



**J3 NOT USED**  
3" = 1'-0"



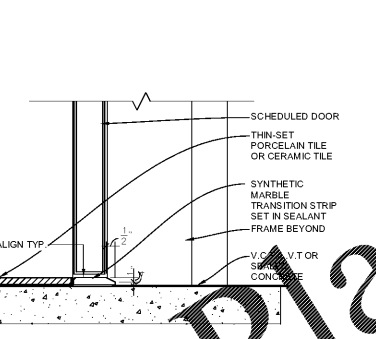
**J2 JAMB DETAIL**  
3" = 1'-0"



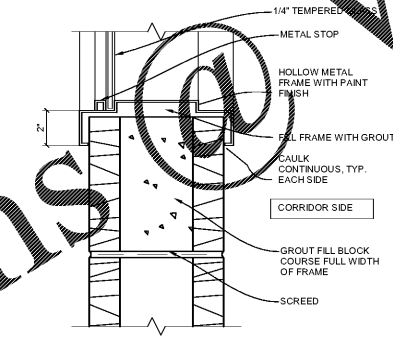
**J1 JAMB DETAIL**  
3" = 1'-0" EXTERIOR DOOR



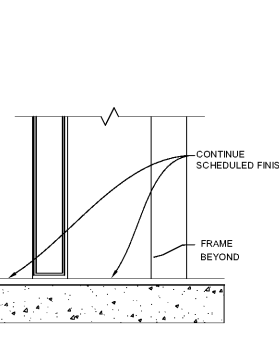
**S6 NOT USED**  
3" = 1'-0"



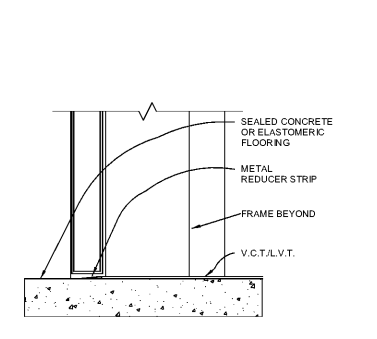
**S5 SILL DETAIL**  
3" = 1'-0"



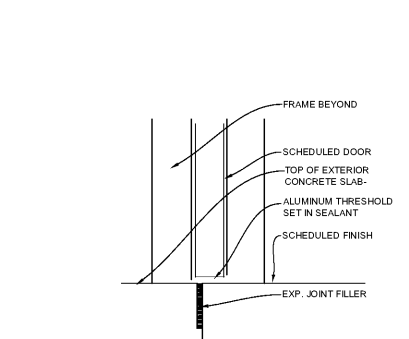
**S4 SILL DETAIL**  
3" = 1'-0"



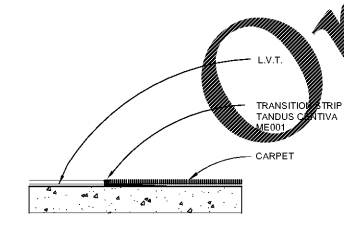
**S3 SILL DETAIL**  
3" = 1'-0"



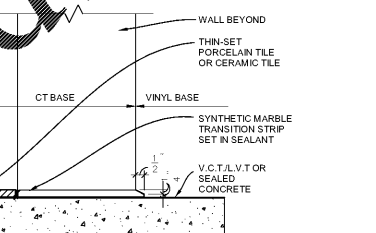
**S2 SILL DETAIL**  
3" = 1'-0"



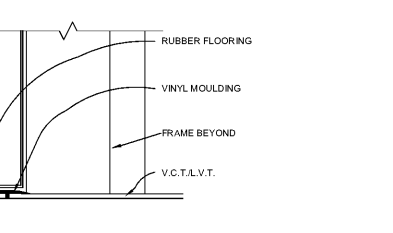
**S1 SILL DETAIL**  
3" = 1'-0"



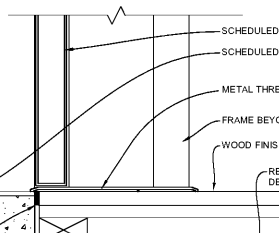
**S12 TRANSITION DETAIL**  
3" = 1'-0"



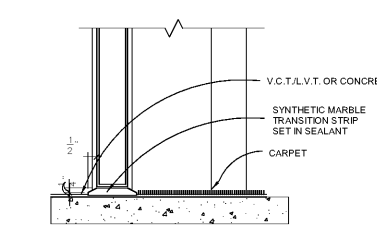
**S11 TRANSITION DETAIL**  
3" = 1'-0"



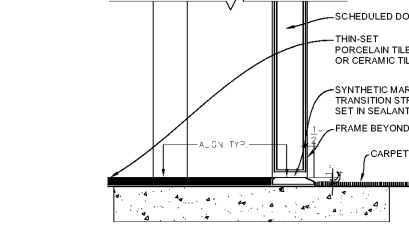
**S10 SILL DETAIL**  
3" = 1'-0"



**S9 SILL DETAIL**  
3" = 1'-0"



**S8 SILL DETAIL**  
3" = 1'-0"



**S7 SILL DETAIL**  
3" = 1'-0"

TYPICAL NOTE: WHERE A DOOR IS AT OPPOSITE SIDE FROM THE DOOR LOCATION SHOWN ON SILL DETAILS, TRANSITION OF FLOOR FINISHES SHALL HAPPEN AT THE DOOR SIDE.

Order Plans @ WWW.JDLLine.com