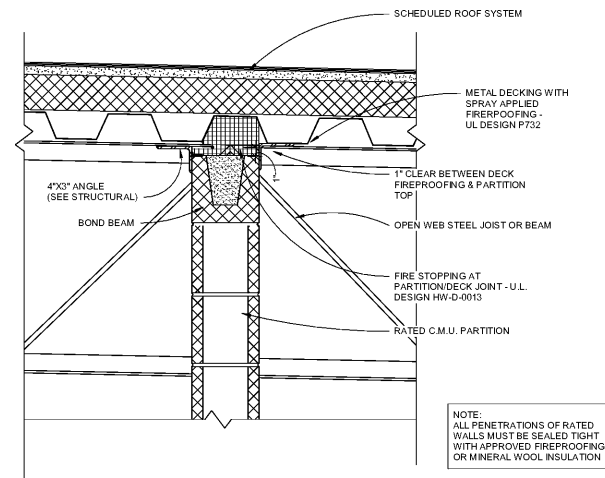
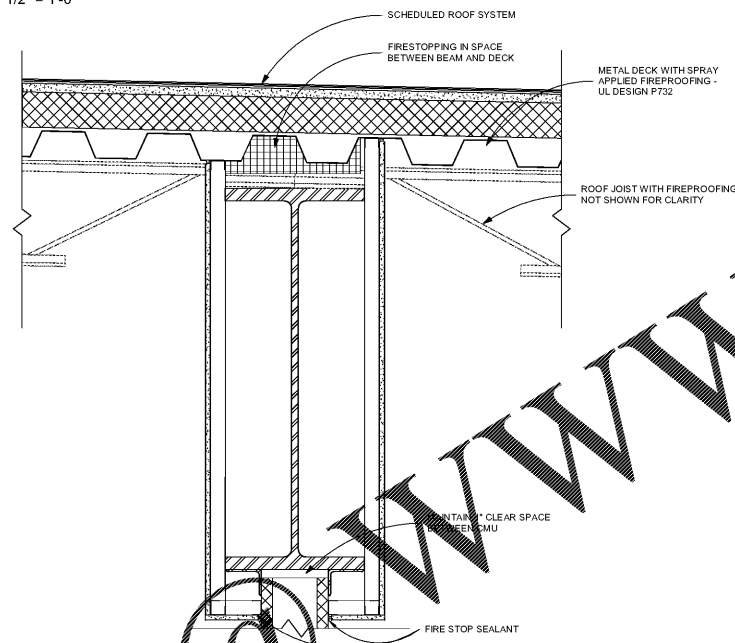


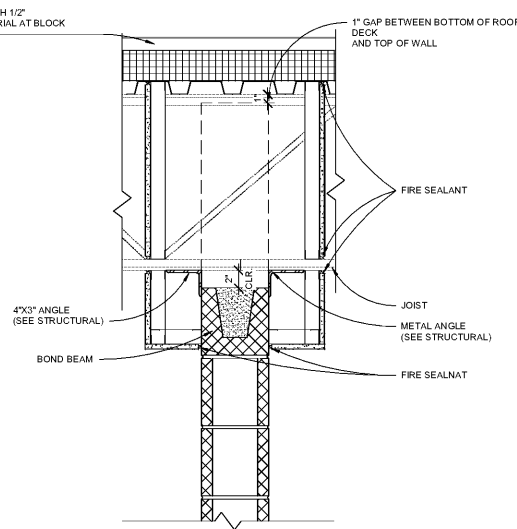
1 FIRE RATED CMU PARTITION
A6-06 1 1/2" = 1'-0"



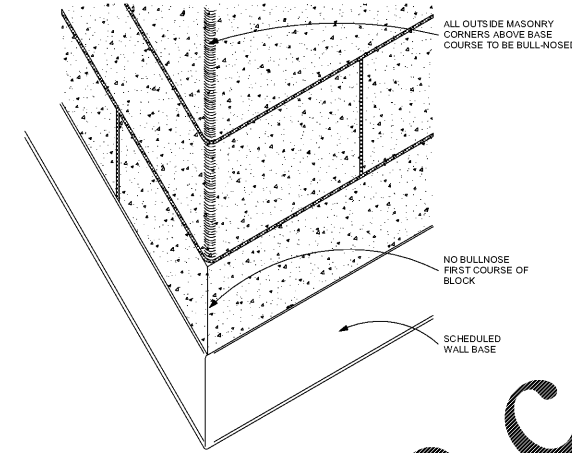
6 SMOKE/FIRE RATED PARTITION TYPICAL HEAD DETAIL
A6-06 1 1/2" = 1'-0"



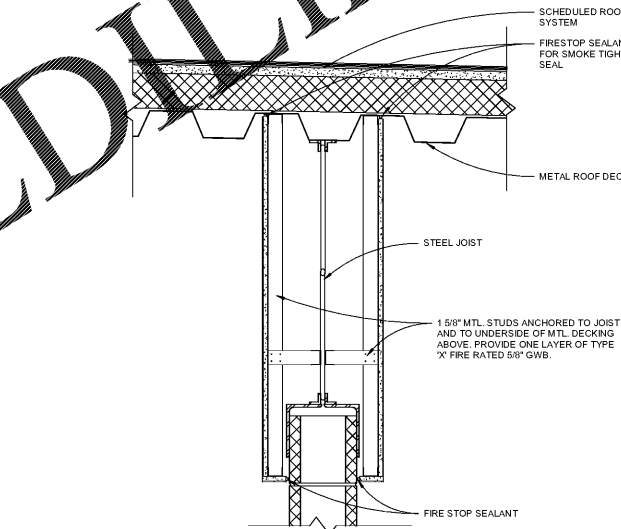
5 SMOKE/FIRE RATED PARTITION TO BEAM
A6-06 1 1/2" = 1'-0"



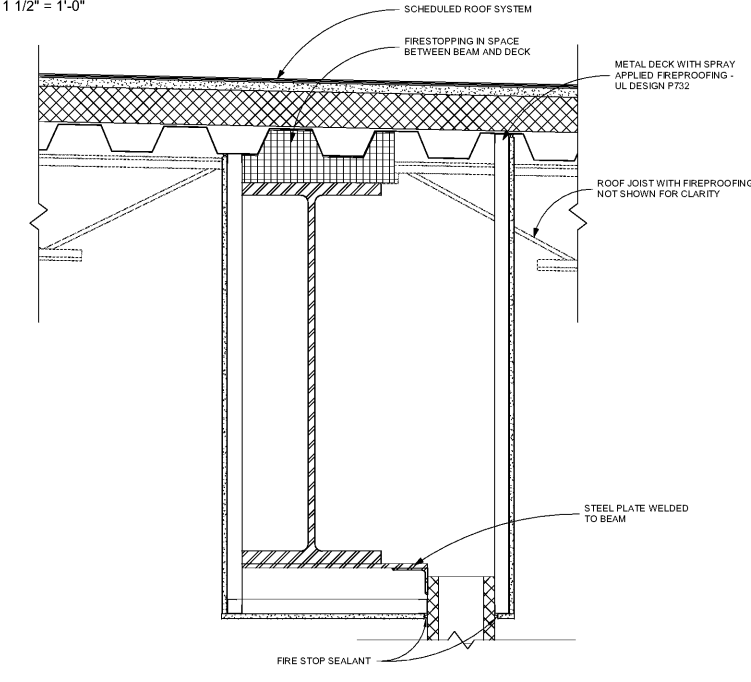
2 SMOKE/FIRE RATED PARTITION AT JOIST
A6-06 1 1/2" = 1'-0"



7 TYPICAL MASONRY CORNERS
A6-06 1 1/2" = 1'-0"



4 SMOKE/FIRE RATED PARTITION PARALLEL TO JOIST
A6-06 1 1/2" = 1'-0"



3 SMOKE/FIRE RATED PARTITION TO BEAM (OFFSET WALL)
A6-06 1 1/2" = 1'-0"

CEILING HEIGHT AS INDICATED ON REFLECTED CEILING PLANS

FIRE RATED PARTITION CONSTRUCTION:
1 HOUR IBC TABLE 721.3.2
2 HOUR IBC TABLE 721.3.2 OR U.L. U905
NOTE: ALL PENETRATION OF RATED WALL MUST BE SEALED TIGHT WITH APPROVED FIREPROOFING

SEE FINISH SCHEDULE FOR WALL FINISH, BOTH SIDES

SEE STRUCTURAL DRAWINGS FOR REINFORCEMENT REQUIREMENTS

WALL BASE - SEE FINISH SCHEDULE, BOTH SIDES

NOTE: ALL PENETRATIONS OF RATED WALLS MUST BE SEALED TIGHT WITH APPROVED FIREPROOFING OR MINERAL WOOL INSULATION

ALL OUTSIDE MASONRY CORNERS ABOVE BASE COURSE TO BE BULL-NOSED

NO BULLNOSE FIRST COURSE OF BLOCK

SCHEDULED ROOF SYSTEM

FIRE STOP SEALANT FOR SMOKE TIGHT SEAL

METAL ROOF DECK

STEEL JOIST

1 5/8" MTL STUDS ANCHORED TO JOIST AND TO UNDERSIDE OF MTL DECKING ABOVE. PROVIDE ONE LAYER OF TYPE 'X' FIRE RATED 5/8" GWB.

FIRE STOP SEALANT

REV. NO.	DATE	REVISIONS / PRINTED
1	10/01/19	ISSUE FOR PERMIT
2		
3		
4		
5		
6		
7		
8		
9		
10		
11		
12		
13		
14		
15		
16		
17		
18		
19		
20		
21		
22		
23		
24		
25		
26		
27		
28		
29		
30		
31		
32		
33		
34		
35		
36		
37		
38		
39		
40		
41		
42		
43		
44		
45		
46		
47		
48		
49		
50		
51		
52		
53		
54		
55		
56		
57		
58		
59		
60		
61		
62		
63		
64		
65		
66		
67		
68		
69		
70		
71		
72		
73		
74		
75		
76		
77		
78		
79		
80		
81		
82		
83		
84		
85		
86		
87		
88		
89		
90		
91		
92		
93		
94		
95		
96		
97		
98		
99		
100		

INSTRUCTIONAL UNIT	NO. OF STUDENTS	TOTAL
REGULAR CLASSROOMS	71,153 SF	
REGULAR CLASSROOMS	32,238 SF	
MUSIC	106,531 SF	
PHYSICAL EDUCATION	5,188 SF	
PHYSICAL EDUCATION CENTER	5,188 SF	
ART	5,188 SF	
TOTAL	155,486 SF	

PROJECT SUMMARY	NO. OF STUDENTS	TOTAL
REGULAR CLASSROOMS	71,153 SF	
REGULAR CLASSROOMS	32,238 SF	
MUSIC	106,531 SF	
PHYSICAL EDUCATION	5,188 SF	
PHYSICAL EDUCATION CENTER	5,188 SF	
ART	5,188 SF	
TOTAL	155,486 SF	



SMALLWOOD, REYNOLDS, STEWART & ASSOCIATES, INC. ARCHITECTS
1000 W. BROAD ST., SUITE 1000
ATLANTA, GA 30334
PHONE: 404.525.1234
FAX: 404.525.1235
WWW.SMALLWOOD-REYNOLDS.COM

MASONRY DETAILS
J.H. HOUSE ELEMENTARY SCHOOL
3100 Zingira Road NE, Conyers, GA 30012

DATE: 10-01-2019
JOB NO: 218036.00
SHEET NO: A6-06

Smallwood, Reynolds, Stewart & Associates, Inc. Architects One Piedmont Center, Suite 303 3565 Piedmont Road Atlanta, Georgia 30305

ISSUED FOR CONSTRUCTION