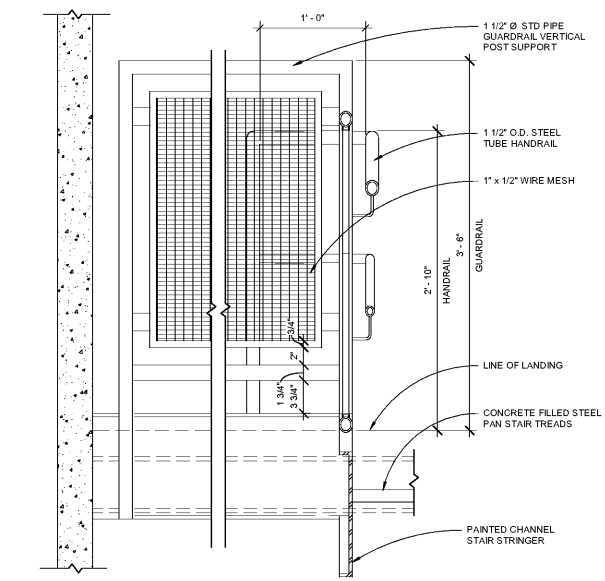
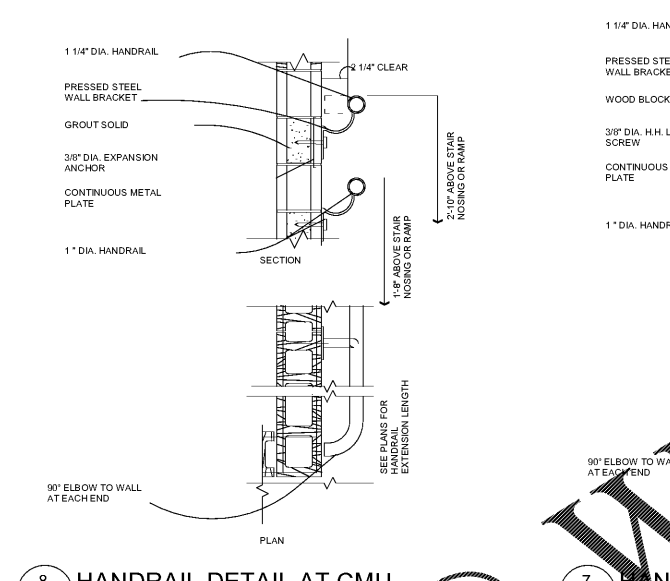


10 STAIR DETAIL
A5-00 1 1/2" = 1'-0"

11 CENTER RAIL ELEVATION
A5-00 3/4" = 1'-0"



9 GUARDRAIL DETAIL
A5-00 1 1/2" = 1'-0"

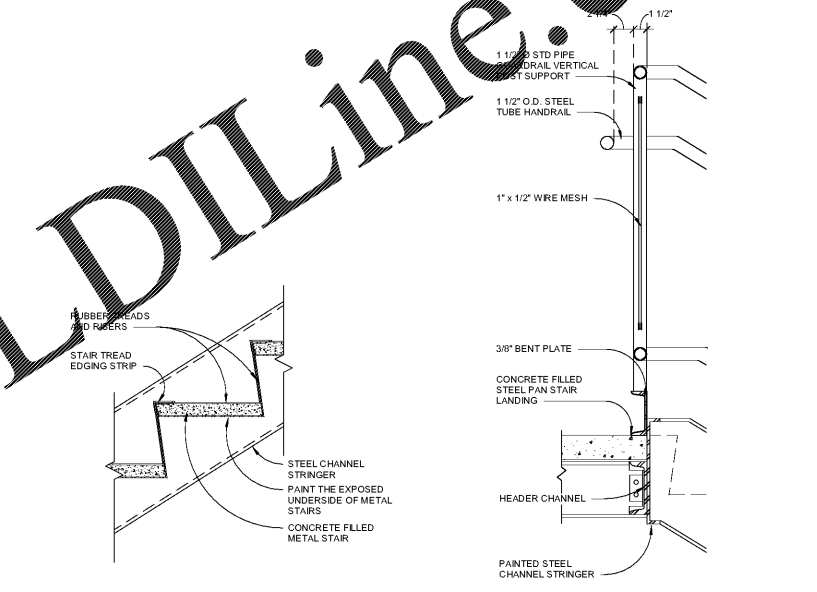


8 HANDRAIL DETAIL AT CMU
A5-00 1 1/2" = 1'-0"

7 HANDRAIL DETAIL AT GYP. BD.
A5-00 1 1/2" = 1'-0"

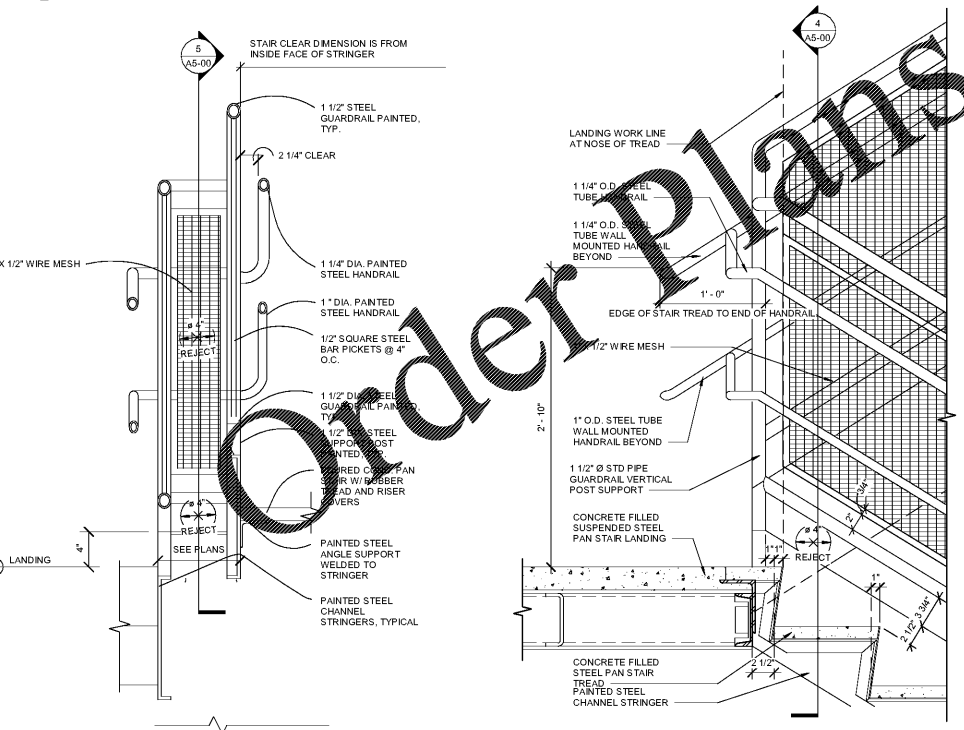
PIPE SCHEDULE	
1 1/2" Ø STD. PPE	= 1.900" ACTUAL O.D.
1 1/4" Ø STD. PPE	= 1.660" ACTUAL O.D.
1" Ø STD. PPE	= 1.315" ACTUAL O.D.
3/4" Ø STD. PIPE	= 1.060" ACTUAL O.D.

WWW.LDILine.com



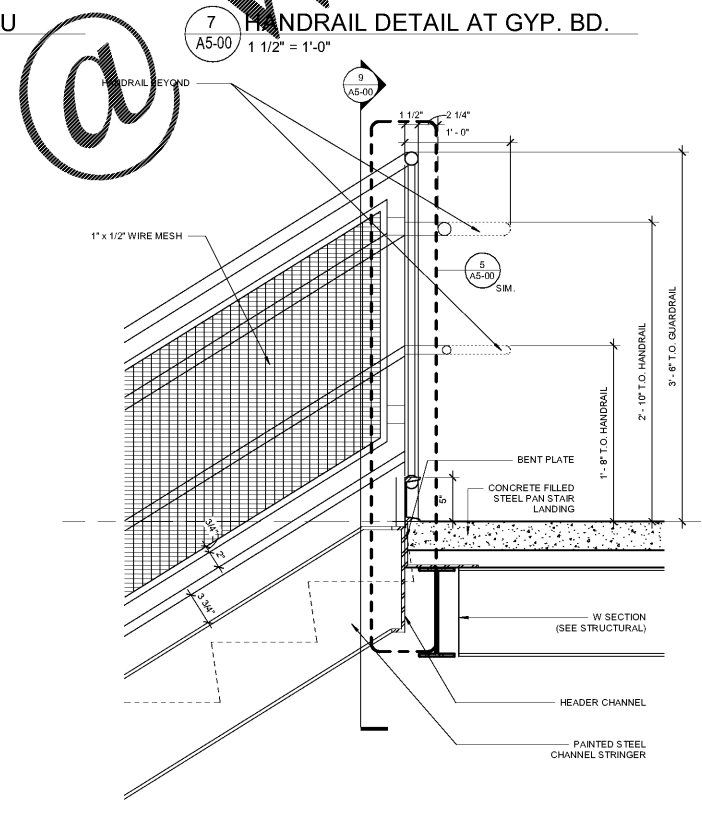
6 STAIR NOSING DETAIL
A5-00 1 1/2" = 1'-0"

5 LANDING DETAIL
A5-00 1 1/2" = 1'-0"

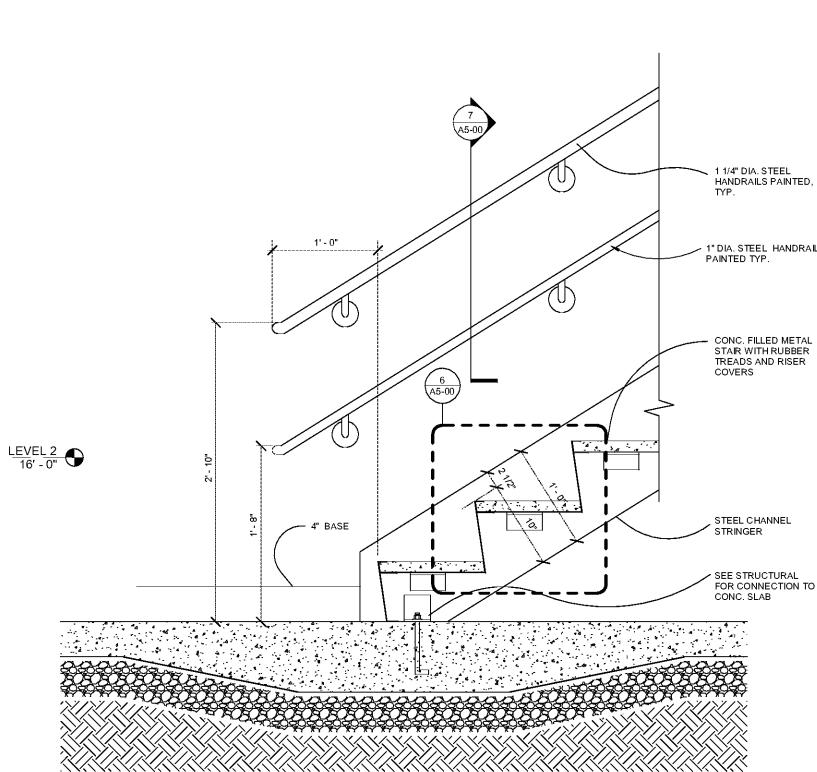


4 SECTION AT STAIR #2
A5-00 1 1/2" = 1'-0"

3 STAIR AT MID-LANDING
A5-00 1 1/2" = 1'-0"



2 STAIR AT FLOOR LANDING
A5-00 1 1/2" = 1'-0"



1 STAIR LANDING DETAIL
A5-00 1 1/2" = 1'-0"

Smallwood, Reynolds, Stewart & Associates, Inc. Architects

One Piedmont Center, Suite 303 3565 Piedmont Road Atlanta, Georgia 30305

REV. NO.	DATE	REMARKS
1	10/01/19	ISSUED FOR PERMIT
2	10/01/19	ISSUED FOR PERMIT

REVISIONS / PRINTED	REVISIONS / PRINTED
46	81
REGULAR CLASSROOMS	REGULAR CLASSROOMS
PHYSICAL EDUCATION	PHYSICAL EDUCATION
MUSIC CENTER	MUSIC CENTER
ART CENTER	ART CENTER
TOTAL	TOTAL

RCPS

J.H. HOUSE ELEMENTARY SCHOOL
3100 Zingira Road NE, Conyers, GA 30012

DATE: 10-01-2019
JOB NO: 218036.00
SHEET NO: A5-00

ISSUED FOR CONSTRUCTION