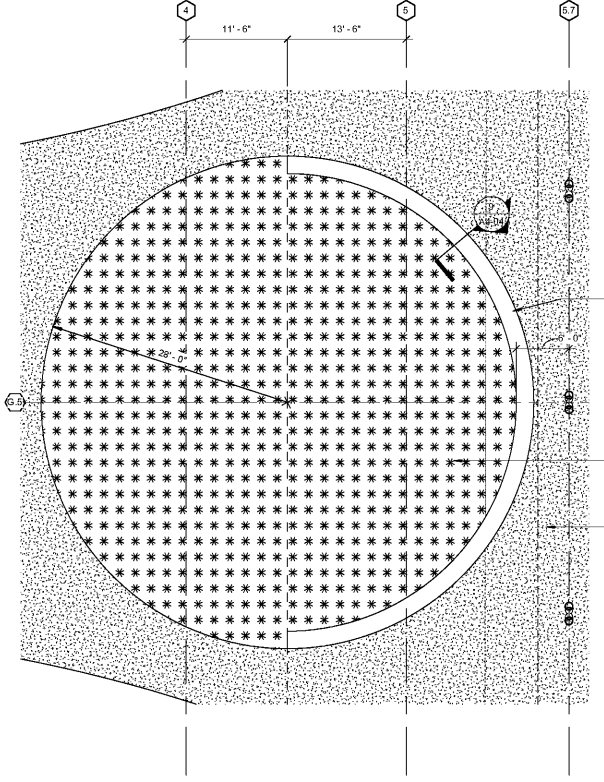


GENERAL NOTE: SEE STRUCTURAL DETAIL 13-S3-03 FOR ADDITIONAL INFORMATION

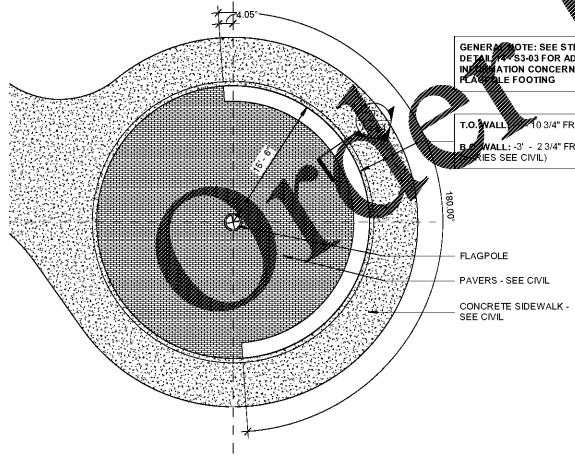
9 DETAIL AT SEAT WALL  
A4-04 1 1/2" = 1'-0"



T.O. WALL: 0' - 5 3/4" FROM LEVEL 01  
B.O. WALL: -0' - 10 1/4" FROM LEVEL 01  
(VARIES SEE CIVIL)

GRASS - SEE CIVIL  
CONCRETE SIDEWALK - SEE CIVIL

8 SITE WALL PLAN AT COURTYARD  
A4-04 1/8" = 1'-0"

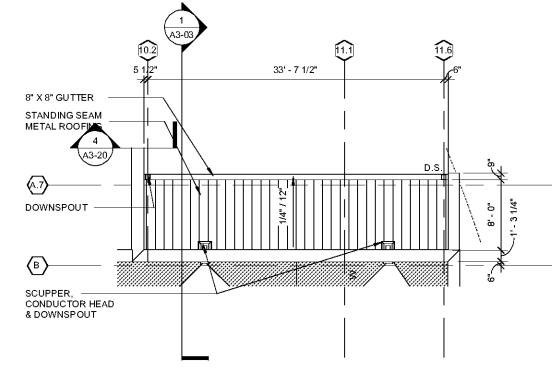


GENERAL NOTE: SEE STRUCTURAL DETAIL 13-S3-03 FOR ADDITIONAL INFORMATION CONCERNING FLAGPOLE FOOTING

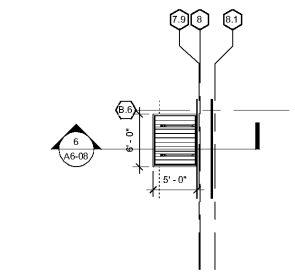
T.O. WALL: 0' - 10 3/4" FROM LEVEL 01  
B.O. WALL: -0' - 2 3/4" FROM LEVEL 01  
(VARIES SEE CIVIL)

FLAGPOLE  
PAVERS - SEE CIVIL  
CONCRETE SIDEWALK - SEE CIVIL

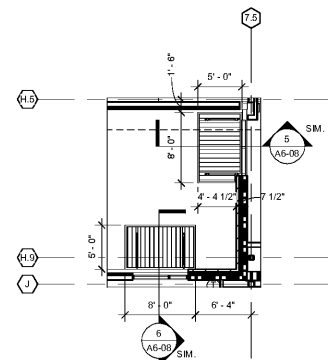
7 SITE WALL PLAN AT FLAGPOLE  
A4-04 1/8" = 1'-0"



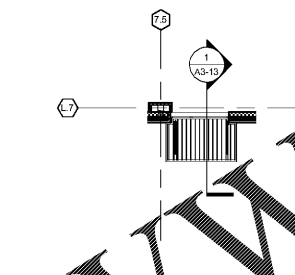
6 ENLARGED CANOPY PLAN  
A4-04 1/8" = 1'-0"



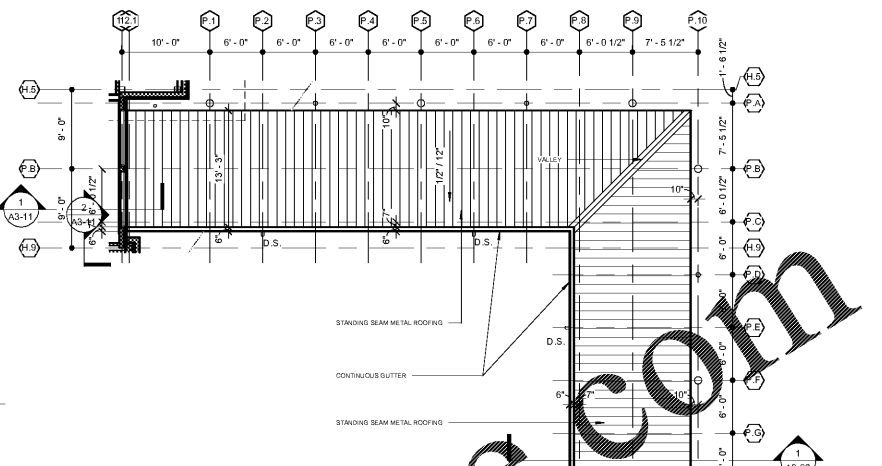
5 ENLARGED CANOPY PLAN  
A4-04 1/8" = 1'-0"



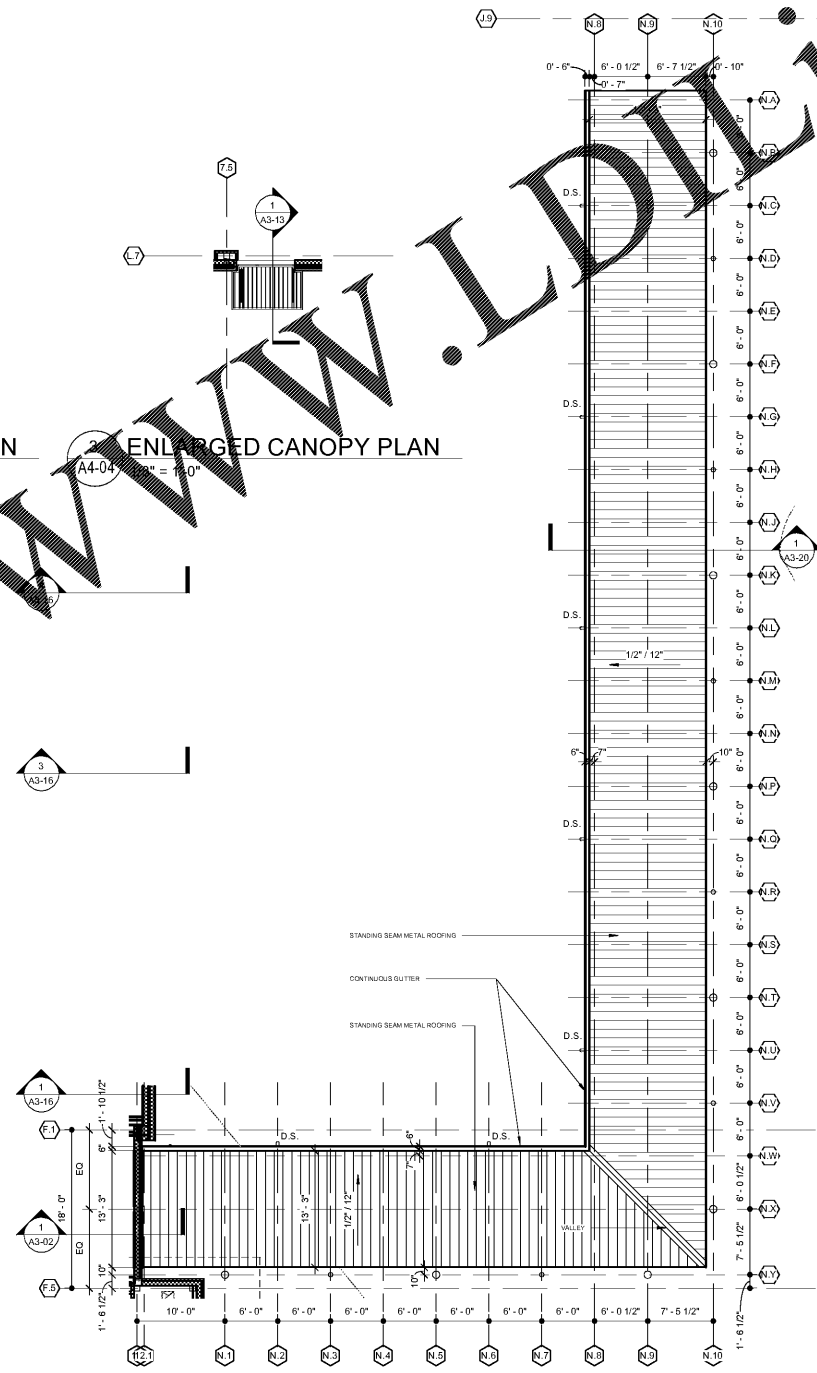
4 ENLARGED CANOPY PLAN  
A4-04 1/8" = 1'-0"



3 ENLARGED CANOPY PLAN  
A4-04 1/8" = 1'-0"



1 ENLARGED BUS CANOPY PLAN  
A4-04 1/8" = 1'-0"

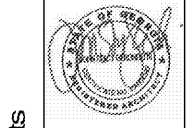


2 ENLARGED CANOPY PLAN  
A4-04 1/8" = 1'-0"

REV. NO.	DATE	REMARKS
00015		ISSUE FOR PERMIT

INSTRUCTIONAL UNIT	46	47	48	49	50	51	TOTAL
REGULAR CLASSROOMS							
MUSIC							
PHYSICAL EDUCATION							
ART CENTER							
ART							
TOTAL							

BUILDING AREA	71,153 SF	32,239 SF	108,631 SF	TOTAL
REGULAR CLASSROOMS				
MUSIC				
PHYSICAL EDUCATION				
ART CENTER				
ART				
TOTAL				



PROJECT SUMMARY  
J.H. HOUSE ELEMENTARY SCHOOL  
GRADE PRE-K THROUGH 5TH  
P.T.E. #00  
C.O.D.E.# TO BE ASSIGNED

ENLARGED CANOPY & SITE WALL PLANS  
J.H. HOUSE ELEMENTARY SCHOOL  
3100 Zingira Road NE, Conyers, GA 30012

DATE	10-01-2019
JOB NO.	218036.00
SHEET NO.	A4-04

Smallwood, Reynolds, Stewart & Associates, Inc. Architects

One Piedmont Center, Suite 303 3565 Piedmont Road Atlanta, Georgia 30305

ISSUED FOR CONSTRUCTION