

GENERAL NOTES:

1. PROVIDE FIRE RETARDANT BLOCKING FOR WALL REINFORCEMENT NECESSARY TO ACCOMMODATE ALL INTERIOR FINISHES, FIXTURES, AND EQUIPMENT INCLUDING BUT NOT LIMITED TO OWNER INSTALLED ITEMS.
2. REFER TO TD-02 FOR TYPICAL RESTROOM AND ACCESSORY MOUNTING HEIGHTS LEGEND.
3. PROVIDE T-14 ABOVE MOP SINK IN ALL JANITOR'S CLOSETS.

| TOILET ACCESSORY SCHEDULE | | | | |
|---------------------------|------------------------------------|---------------------------------|---------------------------------------|---|
| ITEM | DESCRIPTION | ADULT STANDARD MOUNTING HEIGHTS | ADULT ACCESSIBLE MOUNTING HEIGHTS (A) | STUDENTS STANDARD AND ACCESSIBLE MOUNTING HEIGHTS (B) |
| T1W | SOAP DISPENSER (O.F.C.I.) | 4'-0" A.F.F. TO 4' OF NOZZLE | 4'-0" A.F.F. TO 4' OF NOZZLE | 3'-4" A.F.F. TO 4' OF NOZZLE |
| T2W | PAPER TOWEL DISPENSER (O.F.C.I.) | N/A | 4'-0" A.F.F. TO B/O OF DISPENSER | 4'-0" A.F.F. TO B/O OF DISPENSER |
| T5D | TOILET TISSUE DISPENSER (O.F.C.I.) | 1'-7" A.F.F. TO 4' OF DISPENSER | 1'-7" A.F.F. TO 4' OF DISPENSER | 1'-5" A.F.F. TO 4' OF DISPENSER |
| T5S | SANITARY NAPKIN DISPOSAL | 2'-10" A.F.F. TO TOP OF UNIT | 2'-8" A.F.F. TO TOP OF UNIT | N/A |
| T8 | HANDICAPPED GRAB BAR | N/A | 2'-10" A.F.F. TO 4' OF BAR | 2'-4" A.F.F. TO 4' OF BAR |
| T9 | ELECTRIC HAND DRYER | 3'-4" A.F.F. TO B/O OF CONTROL | 3'-0" A.F.F. TO B/O OF CONTROL | 2'-8" A.F.F. TO B/O OF CONTROL |
| T10 | MIRROR 1'-6" x 2'-0" | N/A | 3'-4" A.F.F. TO B/O OF MIRROR | N/A |
| T10A | MIRROR 1'-6" x 4'-0" | 2'-4" A.F.F. TO B/O OF MIRROR | 2'-4" A.F.F. TO B/O OF MIRROR | 2'-4" A.F.F. TO B/O OF MIRROR |
| T11 | HANDICAP WRAP | N/A | N/A | N/A |
| T14 | MOP & BROOM HOLDER | N/A | N/A | N/A |
| T17 | SHOWER SEAT | N/A | N/A | N/A |
| T18 | SHOWER CURTAIN AND ROD | N/A | N/A | N/A |

| REV. NO. | DATE | REVISIONS / PRINTED |
|----------|------|--------------------------|
| 00015 | | ISSUE FOR PERMIT / ISSUE |

| BUILDING AREA | | INSTRUCTIONAL UNITS | |
|---------------|------------|---------------------------|----|
| LEVEL 02 | 71,152 SF | REGULAR CLASSROOMS | 45 |
| LEVEL 03 | 32,238 SF | REGULAR CLASSROOMS | 1 |
| TOTAL | 103,390 SF | MUSIC | 1 |
| | | PHYSICAL EDUCATION | 1 |
| | | PHYSICAL EDUCATION CENTER | 1 |
| | | ART | 1 |
| | | TOTAL | 51 |

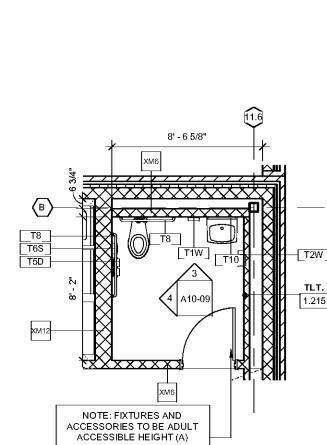
| PROJECT SUMMARY | |
|-----------------|---|
| PROJECT NAME | J.H. HOUSE ELEMENTARY SCHOOL |
| OWNER | DEKALB COUNTY SCHOOLS |
| DESIGNER | SMALLWOOD, REYNOLDS, STEWART & ASSOCIATES, INC. |
| DATE | 10-01-2019 |



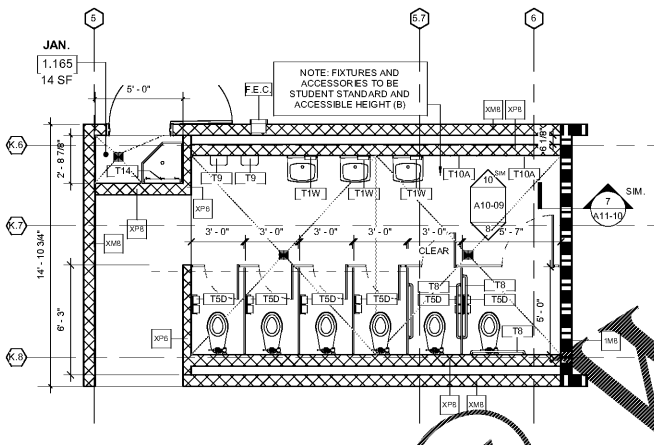
SMALLWOOD, REYNOLDS, STEWART & ASSOCIATES, INC.
 ARCHITECTS
 3100 ZINGIRA ROAD NE, CONYERS, GA 30012
 TEL: 770-932-1111
 WWW.SRSANDASSOCIATES.COM

ENLARGED RESTROOM PLANS
J.H. HOUSE ELEMENTARY SCHOOL
 3100 Zingira Road NE, Conyers, GA 30012

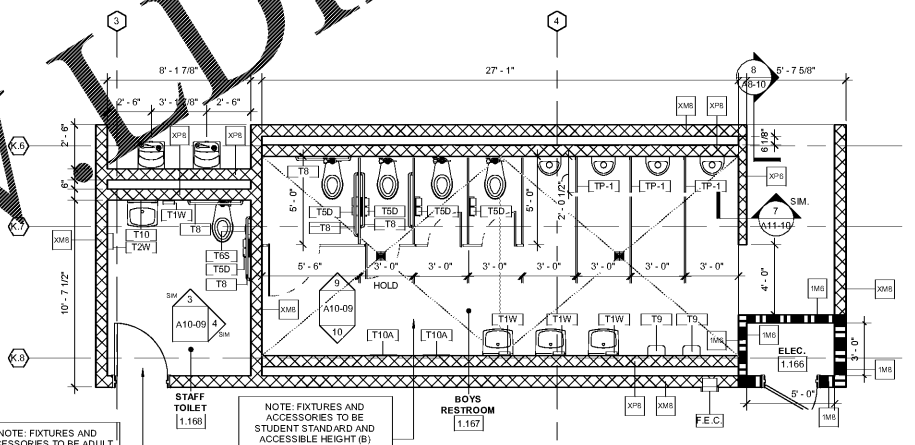
| DATE | 10-01-2019 |
|-----------|------------|
| JOB NO. | 218036.00 |
| SHEET NO. | A4-02 |



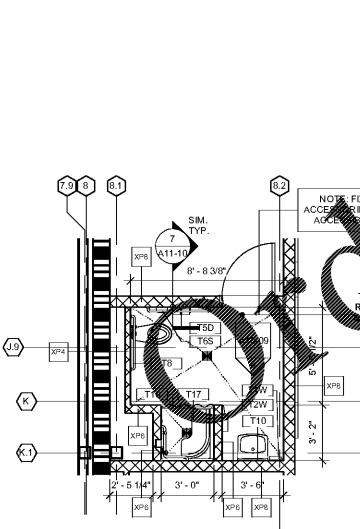
7 STAFF RESTROOM
 A4-02 1/4" = 1'-0"



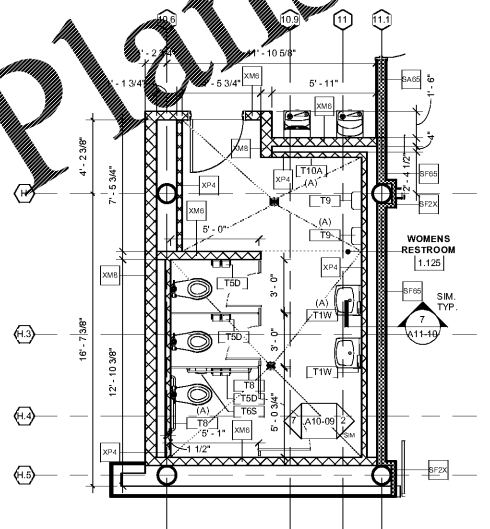
6 GIRL'S RESTROOM TYP.
 A4-02 1/4" = 1'-0"



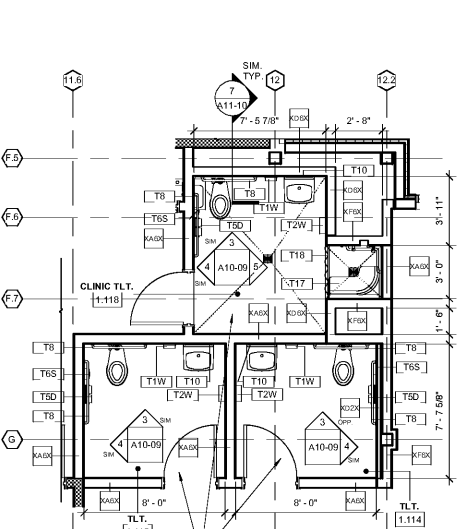
5 BOY'S RESTROOM TYP.
 A4-02 1/4" = 1'-0"



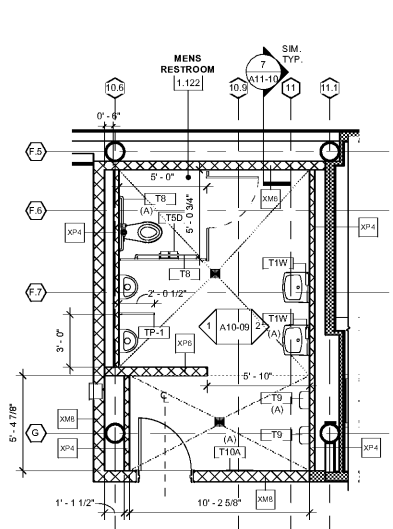
4 RESTROOM WITH SHOWER
 A4-02 1/4" = 1'-0"



3 WOMENS RESTROOM
 A4-02 1/4" = 1'-0"



2 STAFF RESTROOMS
 A4-02 1/4" = 1'-0"



1 MENS RESTROOM
 A4-02 1/4" = 1'-0"

Older Plans @ WWW.DIline.com

WWW.DIline.com

Smallwood, Reynolds, Stewart & Associates, Inc. Architects

ISSUED FOR CONSTRUCTION