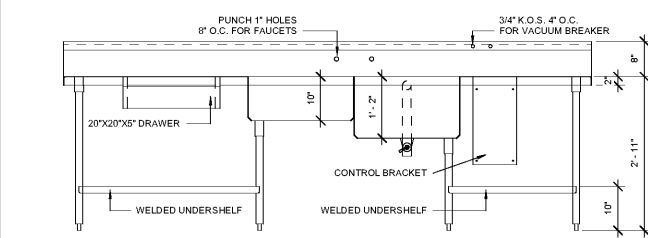
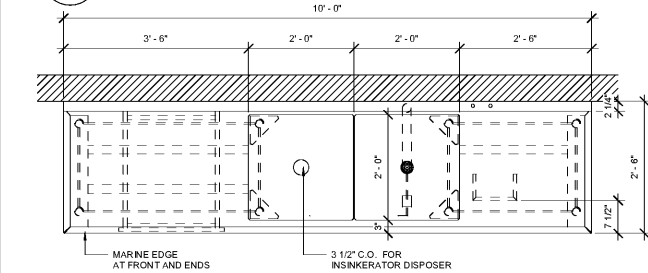
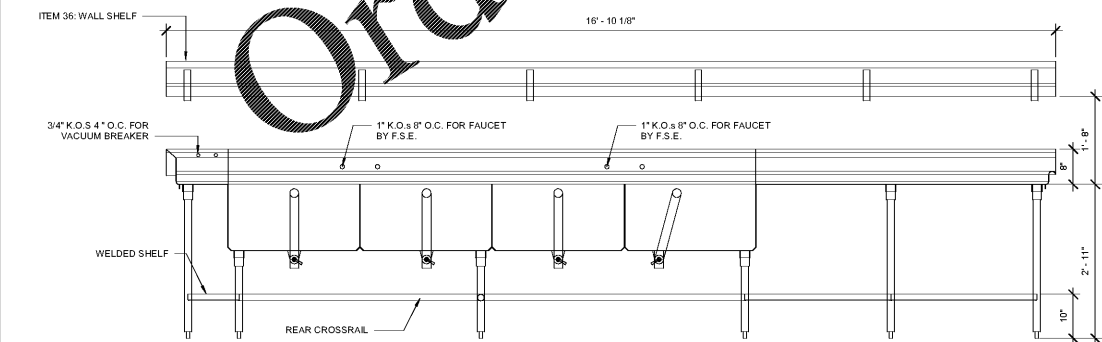
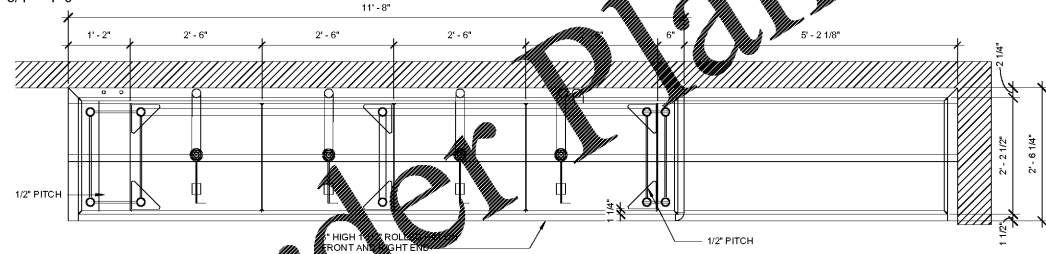


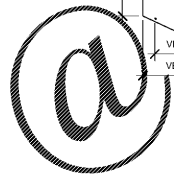
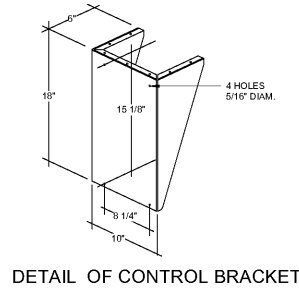
11 ENLARGED PLAN AT DISHWASH
A4-01.A 3/4" = 1'-0"



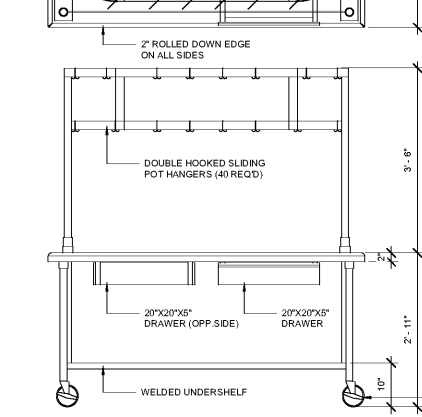
6 FS ITEM #9 : VEG. PREP TABLE W/ SINK
A4-01.A 3/4" = 1'-0"



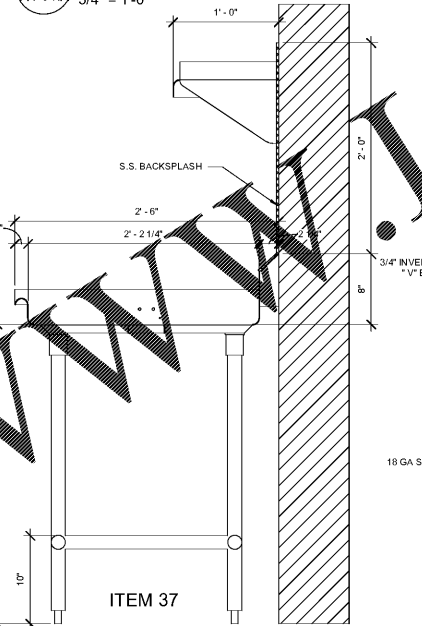
3 FS ITEM #29 : POT & PAN SINK W/ POT SHELF
A4-01.A 3/4" = 1'-0"



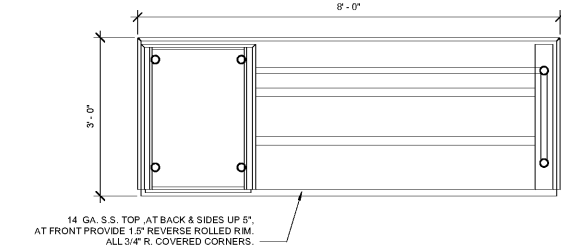
Order Plans



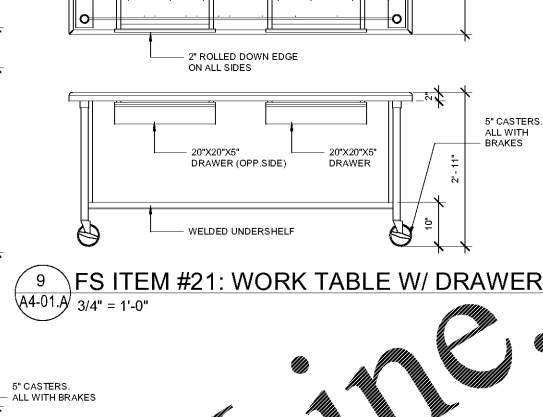
10 FS ITEM #22: WORK TABLE W/ POT RACK
A4-01.A 3/4" = 1'-0"



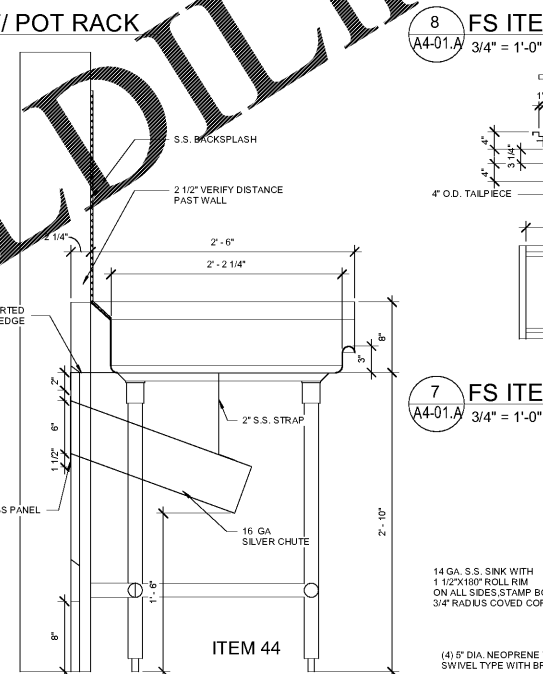
5 FS ITEM #36, 37, & 44 @ DISHWASH
A4-01.A 1 1/2" = 1'-0"



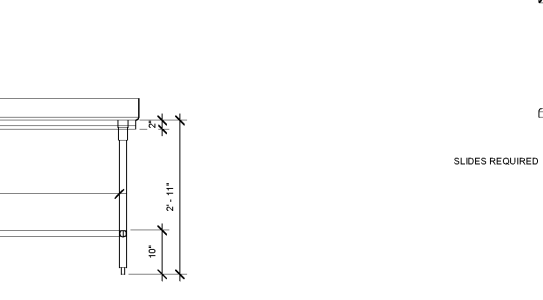
2 FS ITEM #27 : BAKER'S TABLE W/ OVERSHELF
A4-01.A 3/4" = 1'-0"



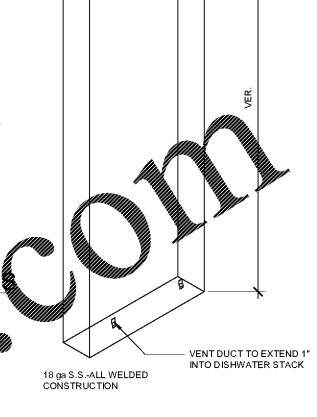
9 FS ITEM #21: WORK TABLE W/ DRAWER
A4-01.A 3/4" = 1'-0"



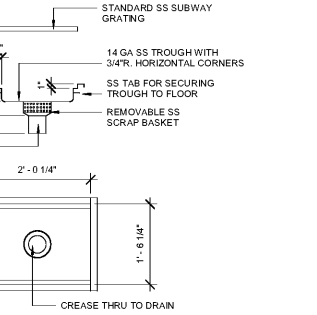
5 FS ITEM #36, 37, & 44 @ DISHWASH
A4-01.A 1 1/2" = 1'-0"



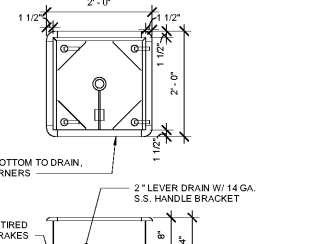
4 FS ITEM #43 : SILVER SOAK SINK
A4-01.A 3/4" = 1'-0"



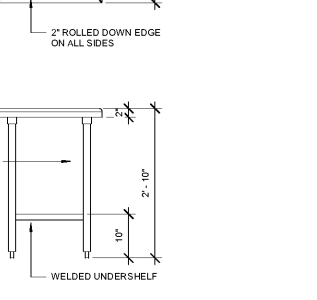
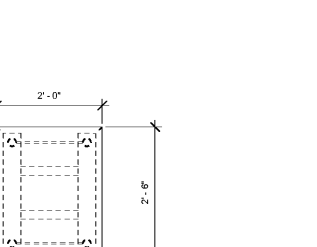
8 FS ITEM #38: EXHAUST DUCT
A4-01.A 3/4" = 1'-0"



7 FS ITEM #6 : FLOOR TROUGH
A4-01.A 3/4" = 1'-0"



4 FS ITEM #43 : SILVER SOAK SINK
A4-01.A 3/4" = 1'-0"



1 FS ITEM #1 : EQUIPMENT STAND
A4-01.A 3/4" = 1'-0"

REV. NO.	DATE	REVISIONS / PRINTED
		ISSUED FOR BIDDING
		PERMIT / CLOSE
46		
1		
1		
1		
1		
81		

INSTRUCTIONAL UNIT	REGULAR CLASSROOMS	PHYSICAL EDUCATION	MUSIC CENTER	ART	TOTAL
	46				46
	1				1
	1				1
	1				1
	1				1
	81				81



Smallwood, Reynolds, Stewart, & Associates, Inc. Architects
FOOD SERVICE EQUIPMENT DETAILS
J.H. HOUSE ELEMENTARY SCHOOL
 3100 Zingira Road NE, Conyers, GA 30012
A4-01.A
 DATE: 10-01-2019
 JOB NO: 218036.00
 SHEET NO: _____

One Piedmont Center, Suite 303 3565 Piedmont Road Atlanta, Georgia 30305

QTY: 5 - ITEMS 2, 15, 20, 57, 60
 PROVIDE 2 WITH LOCKING CASTERS

ISSUED FOR CONSTRUCTION