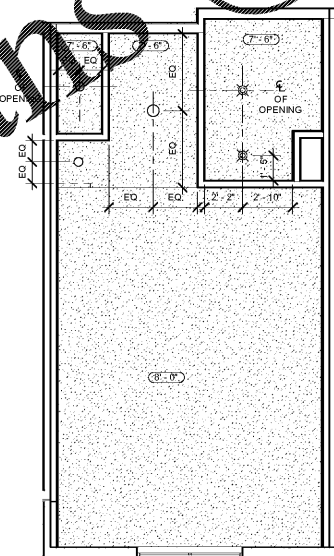
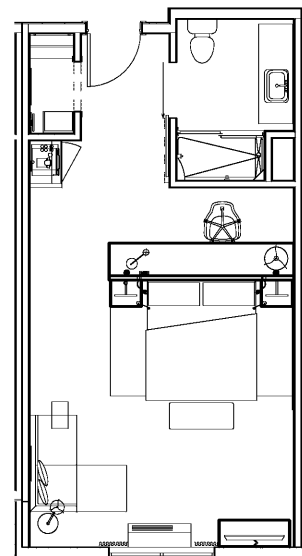


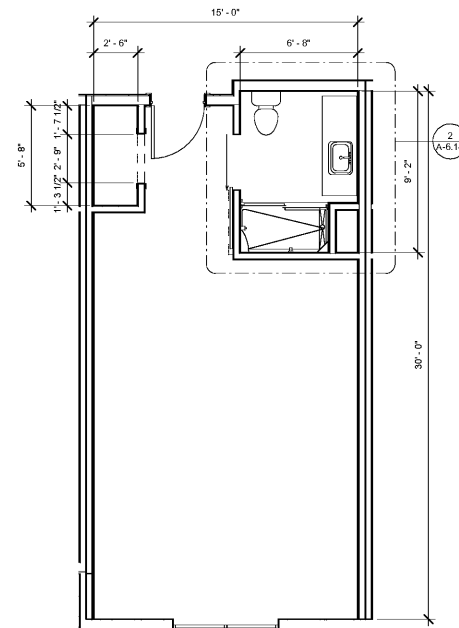
Order Plans @ www.LDILine.com



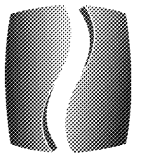
2 GUESTROOM "A" KING STUDIO PREMIUM - RCP
A-6.9 SCALE: 1/4" = 1'-0"



3 GUESTROOM "A" KING STUDIO PREMIUM - FURN. PLAN
A-6.9 SCALE: 1/4" = 1'-0"



1 GUESTROOM "A" KING STUDIO PREMIUM
A-6.9 SCALE: 1/4" = 1'-0"



PHILLIPS

CONSULTANT _____

SEAL _____

ISSUE & REVISION RECORD _____

This document is © Phillips Partnership, P.C. and is considered an instrument of Service and is solely for use with regard to the project as indicated below. All rights reserved. This document may not be reproduced without the prior written consent of Phillips Partnership, P.C.

PROJECT _____



CURRENT VERSION

MALL OF GEORGIA

NEW CONSTRUCTION
4 STORIES-116 GUESTROOMS

CURRENT CODE

CONSTRUCTION TYPE 1

CONSTRUCTION TYPE 2

**Hilton Garden Inn Ariston,
Mall of Georgia, Buford,
GA**

CLIENT _____



PHILLIPS JOB NUMBER 1963613

ISSUE DATE 08-07-19

DRAWN BY/CHECKED BY _____
Author / Checker

DRAWING TITLE

**GUESTUNIT PLANS "A"
KING STUDIO PREMIUM**

SHEET NUMBER _____

A-6.9

5901 PEACHTREE DUNWOODY RD.
BUILDING A, SUITE 450
ATLANTA, GEORGIA 30328

PHILLIPSPART.COM 770-394-1616