



ingenium
PLANNING & ENGINEERING

4491 N DALE MERRY HWY
SUITE 250
TAMPA, FL 33634
813.977.0884



HILTON GARDEN INN
BUFORD, GEORGIA
MALL OF GEORGIA BLVD &
WOODWARD CROSSING BLVD



CLIENT:

PHG BUFORD, LLC
3500 LENOX ROAD, SUITE 625
ATLANTA, GEORGIA 30326
PHONE: (404) 497-4111

REVISION HISTORY

Table with 3 columns: No., Description, Date. Contains 5 revision entries.

THE CIVIL ENGINEER REGULARLY UPDATES ELECTRONIC FILES DURING THE DEVELOPMENT OF A PROJECT AS A RESULT, THE DATA INCLUDED IN ANY CAD FILE OR DRAWING PRIOR TO ITS FINAL RELEASE DOES NOT NECESSARILY REFLECT THE COMPLETE SCOPE OR CONTENT AS REVISED IN THE CONTRACT. THE CONTENTS IN THESE FILES MAY THEREFORE BE PRELIMINARY, INCOMPLETE, MORE IN PROCESS, AND SUBJECT TO CHANGE. FURTHERMORE, THE INFORMATION CONTAINED HEREIN IS THE SOLE PROPERTY OF THE CIVIL ENGINEER. THE ORIGINAL DESIGN REPRESENTED HEREIN BY THIS INFORMATION SHALL NOT BE LOANED, ALTERED, OR REPRODUCED IN ANY FORMER WITHOUT THE EXPRESS WRITTEN CONSENT OF THE CIVIL ENGINEER. THESE PLANS ARE SUBJECT TO FEDERAL COPYRIGHT LAWS ANY USE OF THESE MATERIALS EXCEPTED WITHIN PERMISSION OF THE CIVIL ENGINEER IS PROHIBITED.

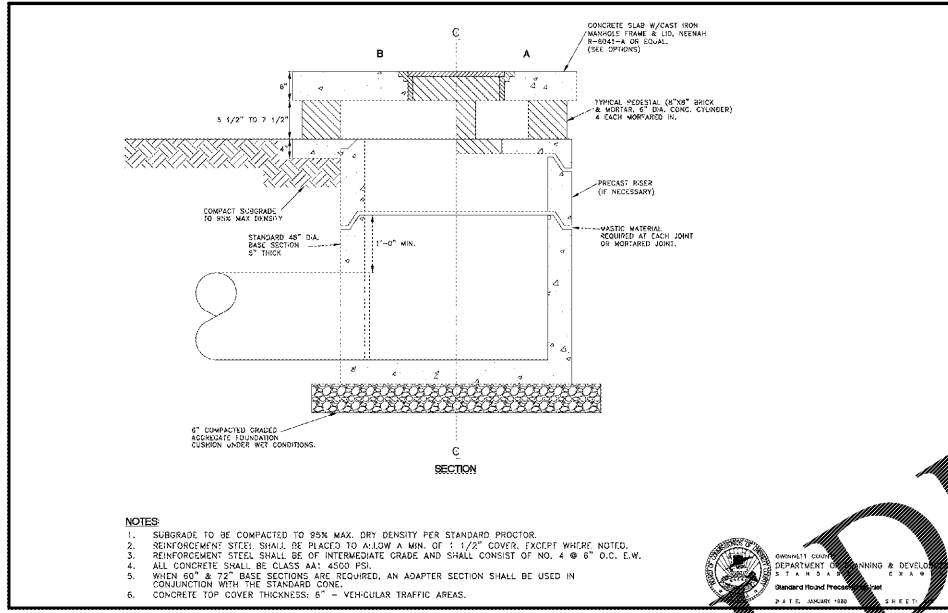
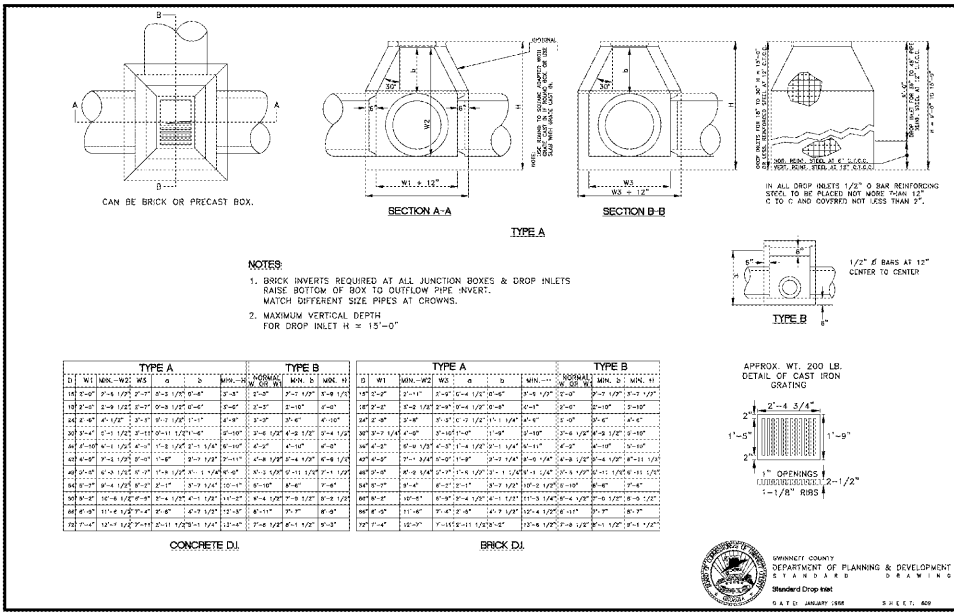
PROJ # 18060
DWG NAME 18060 CO4.DWG
ISSUE DATE 11/06/2019
PROJ MGR LF

UTILITY DETAILS IV

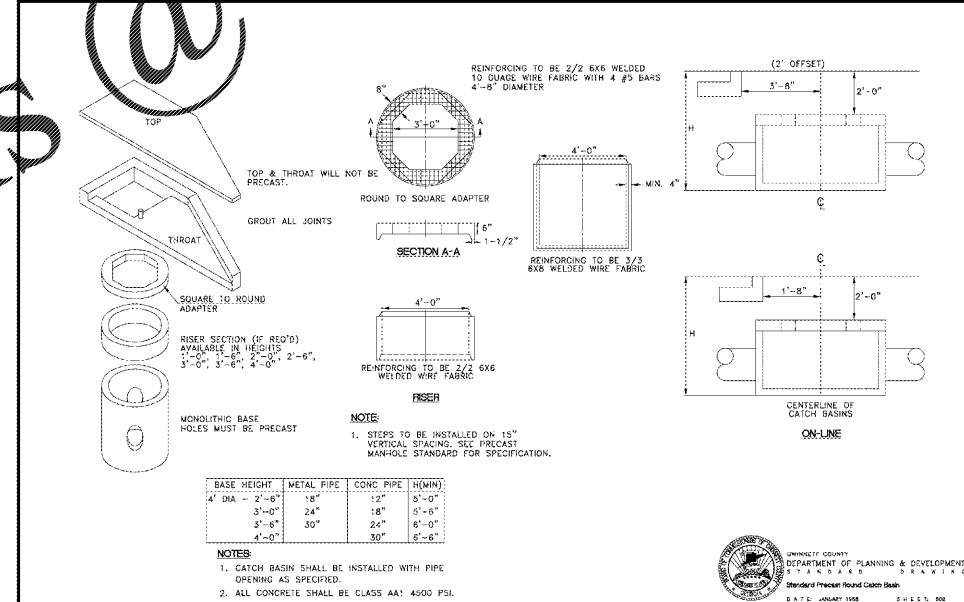
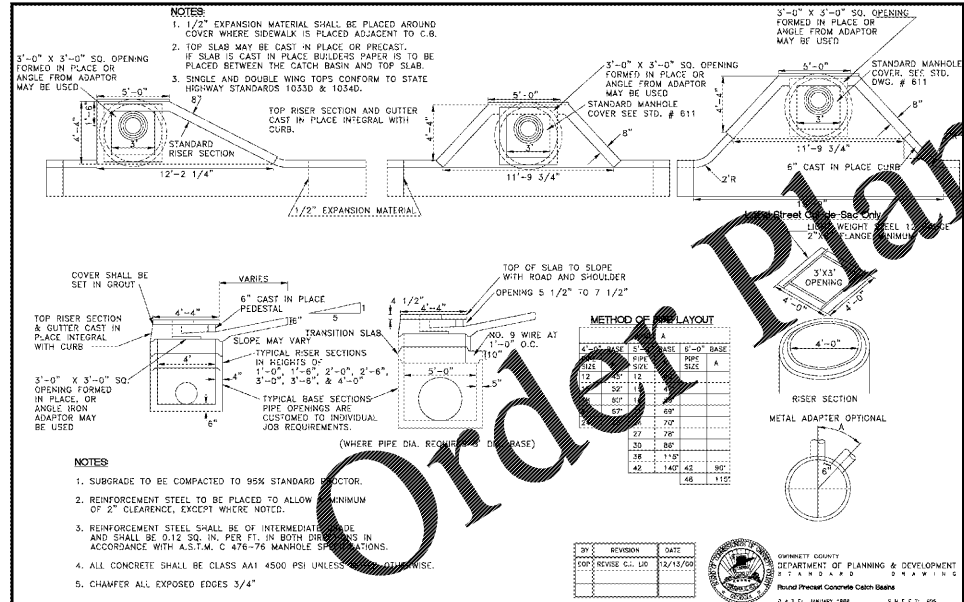
CO4.5
SHEET NUMBER

ISSUE FOR PERMIT

WWW.LDILine.com



1 COUNTY STANDARD DROP INLET NTS



2 STANDARD ROUND CATCH BASIN NTS