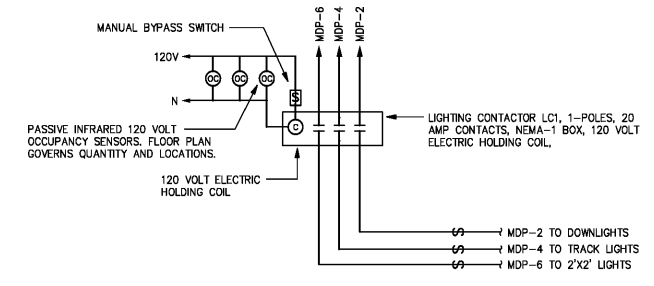
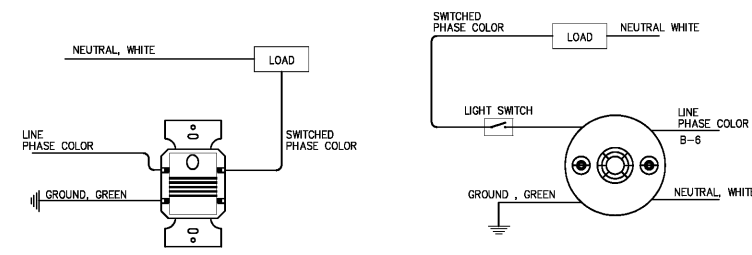


D

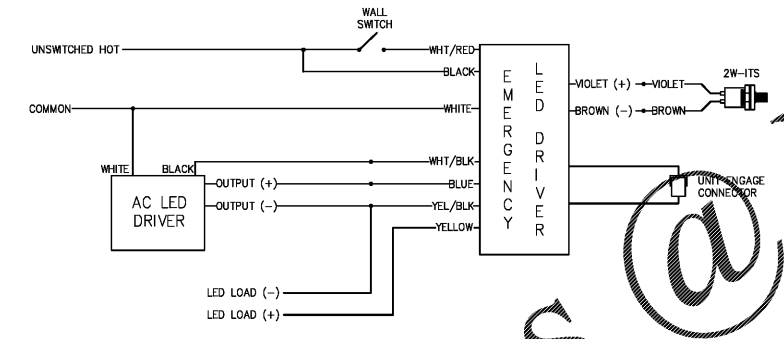


2 SALES AREA LIGHTING CONTROLS  
 DIAGRAMMATIC



3 OCCUPANCY SENSOR LIGHTING CONTROLS  
 DIAGRAMMATIC

3 OCCUPANCY SENSOR LIGHTING CONTROLS  
 DIAGRAMMATIC

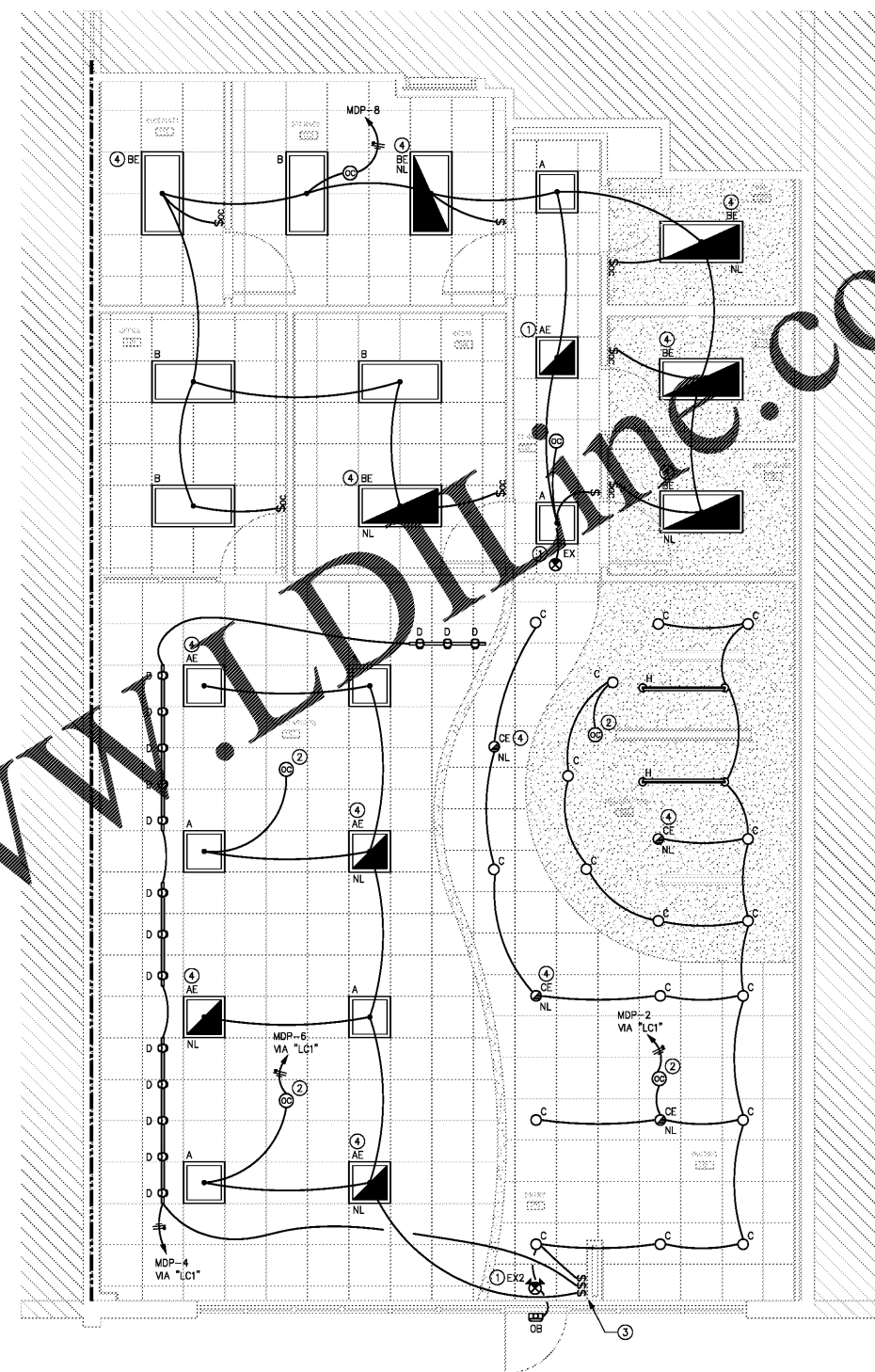


4 EMERGENCY LED DRIVER  
 DIAGRAMMATIC

C

B

A



1 FLOOR PLAN - LIGHTING  
 SCALE: 1/4" = 1'-0"

| GENERAL NOTES |   |
|---------------|---|
| 1.            | ELECTRICAL CONTRACTOR SHALL COORDINATE INSTALLATION OF ALL LIGHT FIXTURES WITH MECHANICAL DUCT PRIOR TO ROUGH-IN. |

| NOTES THIS SHEET |   |
|------------------|---|
| ①                | CONNECT EXIT AND NIGHT/EMERGENCY LIGHT FOR UNSWITCHED OPERATION.  |
| ②                | CONNECT FIXTURES SUCH THAT ACTIVATION OF ANY OCCUPANCY SENSOR SHALL ILLUMINATE ALL FIXTURES CONTROLLED BY LIGHTING CONTACTOR "LCl". SEE DETAIL #2 THIS DRAWING. |
| ③                | MANUAL SWITCH FOR SALES AREA LIGHTING. COORDINATE EXACT LOCATION WITH OWNER/ARCHITECT PRIOR TO ROUGH-IN. SEE DETAIL #2 THIS DRAWING.                            |
| ④                | SEE SWITCHED EMERGENCY LIGHTING DETAIL #4 THIS DRAWING.   |

If this document is sealed and signed in a digital or electronic format and is received from someone other than the sealing professional identified in the document, you must contact the sealing professional in writing to validate the authority of the document. The sealing professional declares the seal and signature and shall not be liable for any liability associated with it where the authority of any digital or electronic seal or signature has not been validated in this manner.

| ISSUANCE                |             |
|-------------------------|-------------|
| ISSUED FOR CONSTRUCTION |             |
| 2019/11/13              |             |
| REVISIONS               |             |
| NO. DATE                | DESCRIPTION |
| FILE NUMBER             | 19199       |
| PROJECT MANAGER         | CAD         |
| PROFESSIONAL            | CAD         |
| DRAWN BY                | CLE         |
| CHECKED BY              | BOW         |

Order Plans @ WWW.DIYLINE.COM