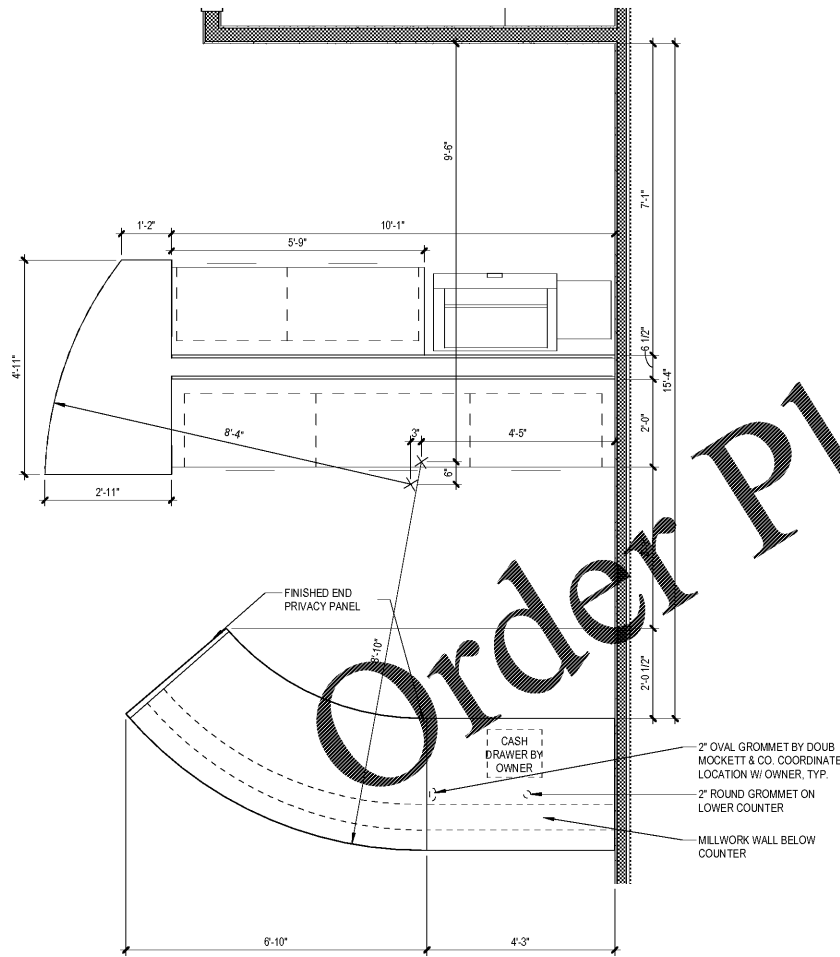
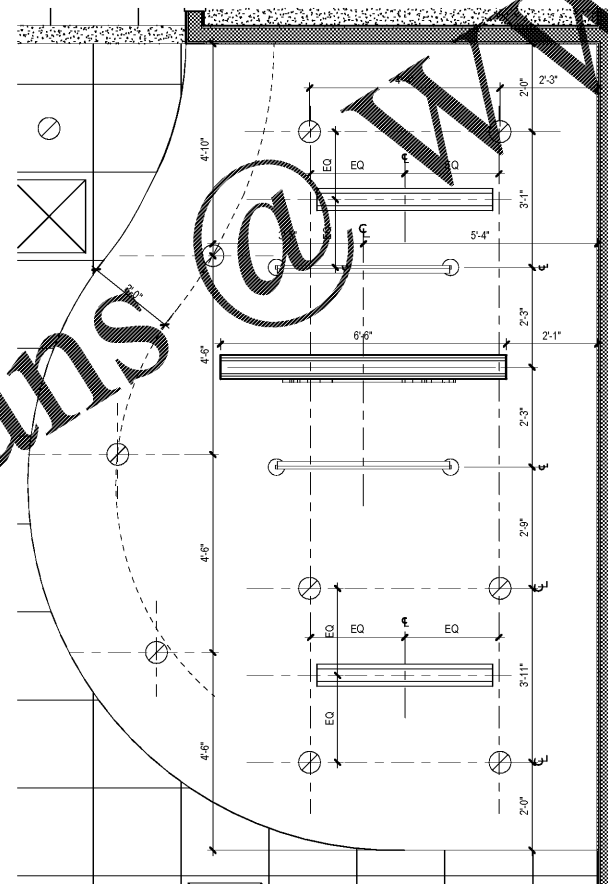


TOILET ACCESSORY SCHEDULE	
NO.	
TA-1	- NOT USED -
TA-2	24" X 36" MIRROR WITH STAINLESS STEEL ANGLE FRAME - BOBRICK B-290
TA-3	SURFACE MOUNTED SOAP DISPENSER - GOJO TFX FOAM SOAP DISPENSER, 10 1/2"H X 6"W X 4"D 1253683 (OWNER PROVIDED, G.C. INSTALLED) BLACK GOJ2730-12
TA-4	RECESSED SANITARY NAPKIN DISPOSAL - ROCHESTER MIDLAND SANITARY NAPKIN DISPOSAL UNIT (OWNER PROVIDED, G.C. INSTALLED)
TA-5	- NOT USED -
TA-6	SURFACE MOUNT - TOILET TISSUE DISPENSER - KIMBERLY-CLARK PROFESSIONAL CORELESS JRT BATH TISSUE DISPENSER KCC 09002 - 14 1/8"W X 6D X 9 3/4"H, SMOKE/GRAY (OWNER PROVIDED, G.C. INSTALLED)
TA-7	AMERICAN SPECIALTIES HORIZONTAL BABY CHANGING STATION - MODEL NO. 9012
TA-8	SURFACE MOUNTED PAPER TOWEL DISPENSER - KIMBERLY-CLARK SANITOUCH HARD ROLL PAPER TOWEL DISPENSER KIM9990 (OWNER PROVIDED, G.C. INSTALLED)
TA-9	SURFACE MOUNTED SEAT COVER DISPENSER - KIMBERLY-CLARK PROFESSIONAL WINDOWS WALL TOILET SEAT COVER DISPENSER, 13 1/4"H X 17 1/2"W X 3 1/4"D, WHITE PEARL (OWNER PROVIDED, G.C. INSTALLED)
TA-10	- NOT USED -
TA-11	42" GRAB BAR - BOBRICK B-5806-42
TA-12	36" GRAB BAR - BOBRICK B-5806-36
TA-13	18" GRAB BAR - BOBRICK B-5806-18
TA-14	FLOOR STANDING, DOME - TOP WASTE RECEPTACLE - BOBRICK B-2300

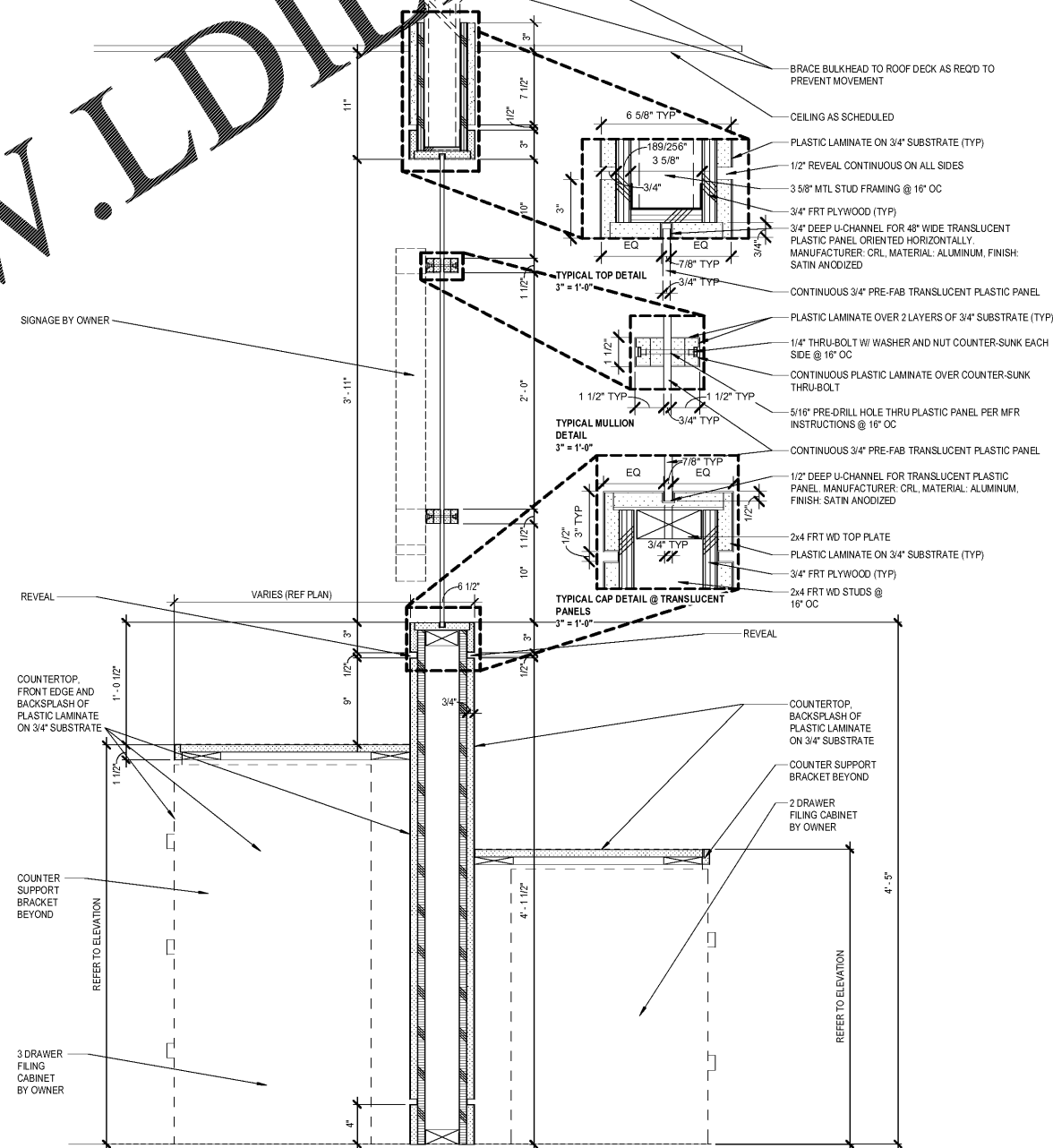
B6 ENLARGED PLAN AT RESTROOMS
1/2" = 1'-0"
D6 / A-111



D6 ENLARGED PLAN AT RECEPTION DESK
1/2" = 1'-0"
D6 / A-111



D4 ENLARGED REFLECTED CEILING PLAN
1/2" = 1'-0"
D6 / A-121



D3 SECTION AT FEATURE WALL, TYP
1/2" = 1'-0"
C5 / A-211

progressive | ae
 COLUMBUS, GA
AAA AUTO CLUB GROUP
 6201 Veterans Pkwy., Suite C, Columbus, GA 31909
 PREPARED BY ARCHITECTURE ENGINEERS, PC
 330 South Tryon St., Suite 504 - Charlotte, NC 28202 - TEL: 704.751.8500 - FAX: 704.751.8501 - www.progressiveae.com

ISSUANCE
 ISSUED FOR CONSTRUCTION
 2019/11/13
REVISIONS
 NO. DATE DESCRIPTION
 FILE NUMBER 79890016
 PROJECT MANAGER JIE
 PROFESSIONAL GWJ
 DRAWN BY ME
 CHECKED BY MB

ENLARGED PLANS AND SECTION
A-401