

REFLECTED CEILING PLAN NOTES

- G1. REFERENCE LEGEND SHEET G-002 AND / OR PROJECT MANUAL FOR GENERAL NOTES, RESPONSIBILITIES, AND PROCEDURES. EXECUTION OF CONSTRUCTION CONTRACT OR PERFORMING WORK ACCEPTS THE CONDITIONS AND PROVISIONS DOCUMENTED WITHIN SHEET G-002 AND CONSIDERS THE FOLLOWING NOTATION SUPPLEMENTAL TO THOSE CONDITIONS.
- G2. BUILDING MATERIALS / ELEMENTS TO BE NEW CONSTRUCTION U.N.O.
- G3. CEILING HEIGHT IS 10' - 0" AFF. U.N.O.
- G4. ALL ANGLES ARE TO BE 0, 45 OR 90 DEGREES U.N.O.
- G5. CENTER TILE / GRID OR LIGHT IN ROOM OR SPACE, UNLESS NOTED OR DIMENSIONED OTHERWISE.
- G6. PROVIDE LEVEL 5 FINISH AND PAINT AT GYP. BOARD CEILING, SOFFIT & BULKHEAD CONDITIONS.
- G7. GYPSUM BOARD SURFACE PREPARATION IN CONCEALED AREAS ABOVE PLENUM SHALL BE LEVEL 2 U.N.O.
- G8. EGRESS ILLUMINATION SHALL COMPLY WITH GSBC 1006 & EXIT SIGNS SHALL COMPLY WITH GSBC 1011. COORD. W/ ELEC. DWGS. (PROVIDE MINIMUM 90 MINUTE EMERGENCY POWER BATTERY BACKUP FOR ILLUMINATION & EXIT SIGNAGE)
- G9. GC TO COORDINATE DUCTWORK, STRUCTURAL MEMBERS, BRACES, CEILING HEIGHTS AND CEILING MOUNTED COMPONENTS PRIOR TO CONSTRUCTION.
- G10. LIGHTING AND MECHANICAL EQUIPMENT SHALL BE REFERENCED TO MECHANICAL & ELECTRICAL DRAWINGS FOR SOCIAL, FUNCTIONAL AND EQUIPMENT LOCATIONS AND SPECS.
- G11. PENETRATIONS THROUGH CEILING FOR FIXTURES OR MECHANICAL SYSTEM PATHS AND REGISTERS SHALL BE PRECISELY CUT FOR ALL LED ITEMS WITH EDGES TO BE CONCEALED BY MOUNTING TRIM OR COVER. INSTALLATION TRIM AND COVER SHALL BE FLUSH TO SURFACE.
- G12. PROVIDE REFERENCED ACCESS PANELS IN CEILING FOR MECHANICAL, ELECTRICAL AND PLUMBING SYSTEMS. LOCATION AND TYPE OF ACCESS PANEL SHALL BE VERIFIED WITH ARCHITECT PRIOR TO CONSTRUCTION.
- G13. ALL TRACK LIGHT FIXTURES TO BE DIRECTED TO HIGHLIGHT GRAPHICS AND/OR RETAIL SHELVING BELOW. TRACK LIGHT FIXTURES SHALL BE SPACED AT 3'-0" O.C. U.N.O. (COORDINATE WITH OWNER)

REFLECTED CEILING PLAN LEGEND

CEILING MATERIALS:
REFER TO FINISH SHEET FOR ADDITIONAL FINISH INFORMATION.

CEILING FINISH TAG:

## - ##	CEILING HEIGHT
FINISH	APC-1, APC-2, P1...

ACOUSTIC CEILING TILE & GRID 1
USG - (800-950-3838)
MAKES CLIMA FLUX
FINELINE 1/8 DFFX, 24" X 24", 9/16" METAL GRID

P1 - PAINT
SHERWIN WILLIAMS
DIVINE WHITE, SW 6105
CEILINGS: FLAT FINISH
WALLS: EGGSHELL FINISH

P2 - PAINT
SHERWIN WILLIAMS
FIREWORKS, SW 6867
CEILINGS: FLAT FINISH
WALLS: EGGSHELL FINISH

CEILING COMPONENTS:
GRAPHIC SYMBOLS ARE FOR ILLUSTRATIVE PURPOSES ONLY. REFER TO ENGINEERING DRAWINGS FOR FIXTURE SPECIFICATION.

- 24" X 48" LED LIGHT FIXTURE
- 24" X 24" LED LIGHT FIXTURE
- HVAC DIFFUSER REGISTER
- HVAC RETURN REGISTER
- HVAC SLOT DIFFUSER
- EXHAUST FAN
- DOWNLIGHT FIXTURE (MULTIPLE TYPES ARE SUBSCRIBED)
- TRACK LIGHTING FIXTURE (LENGTHS ARE DENOTED)
- EXIT LIGHT

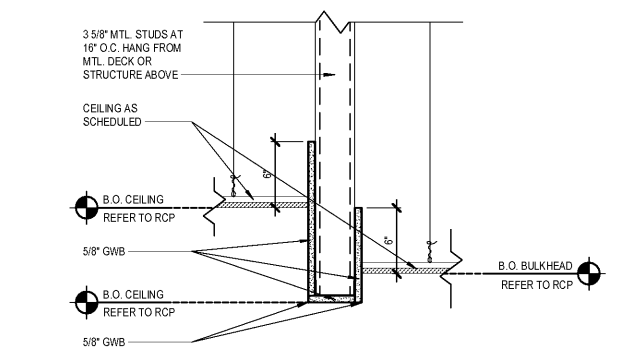
KEYNOTES

NUMBER	NOTE
1201	TRACK FIXTURES ABOVE DISPLAYS/MAPS/TOUR BOOKS. LENGTHS ARE DENOTED AT EACH FIXTURE. MOUNT 36" AWAY FROM WALL, TYP.
1202	CENTER LIGHT FIXTURE IN ROOM.
1204	GWB HEADER. PAINT P1 FACE AND UNDER OF BULKHEAD.
1210	TRANSITION OR TERMINATION POINT BETWEEN CURVED AND RADIAL BUILDING ELEMENTS. VERIFY COORDINATE ADJUST RADIAL ANGLES IN FIELD AS REQUIRED TO ENSURE PROPER TRANSITIONS BETWEEN CURVED BUILDING ELEMENTS AND INTERSECTING RADIAL BUILDING ELEMENTS.
1213	CEILING MOUNTED WALL WASHER. REFER TO ELECTRICAL DRAWINGS.
1218	GWB BULKHEAD. PAINT P2 FACE AND UNDER SIDE OF SOFFIT.
1219	MECHANICAL SLOT DIFFUSER TO BE PAINTED P2.

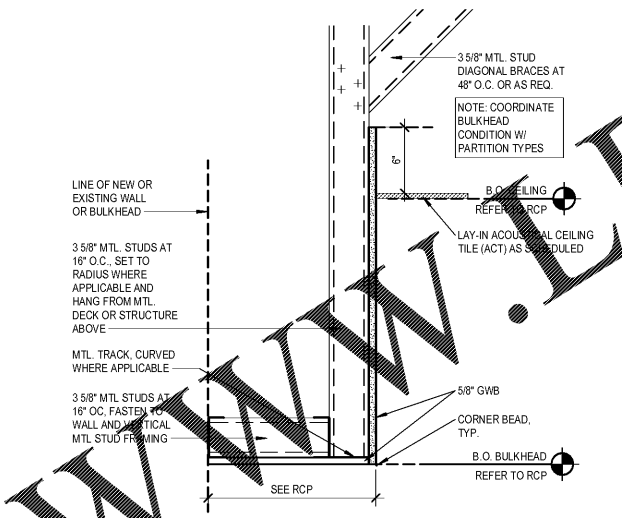
ISSUANCE
ISSUED FOR CONSTRUCTION
2019/11/13

REVISIONS
NO. DATE DESCRIPTION

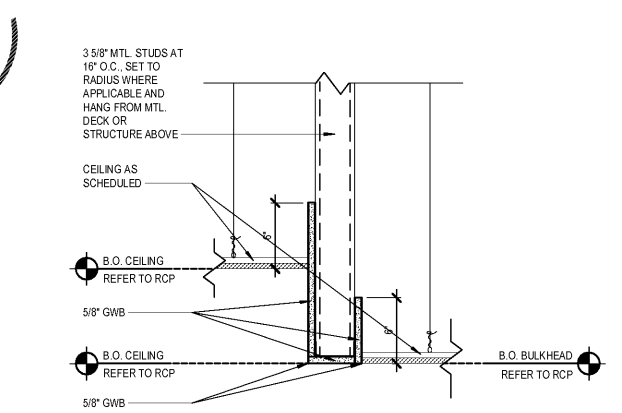
FILE NUMBER 79890016
PROJECT MANAGER JE
PROFESSIONAL GWJ
DRAWN BY ME
CHECKED BY MB



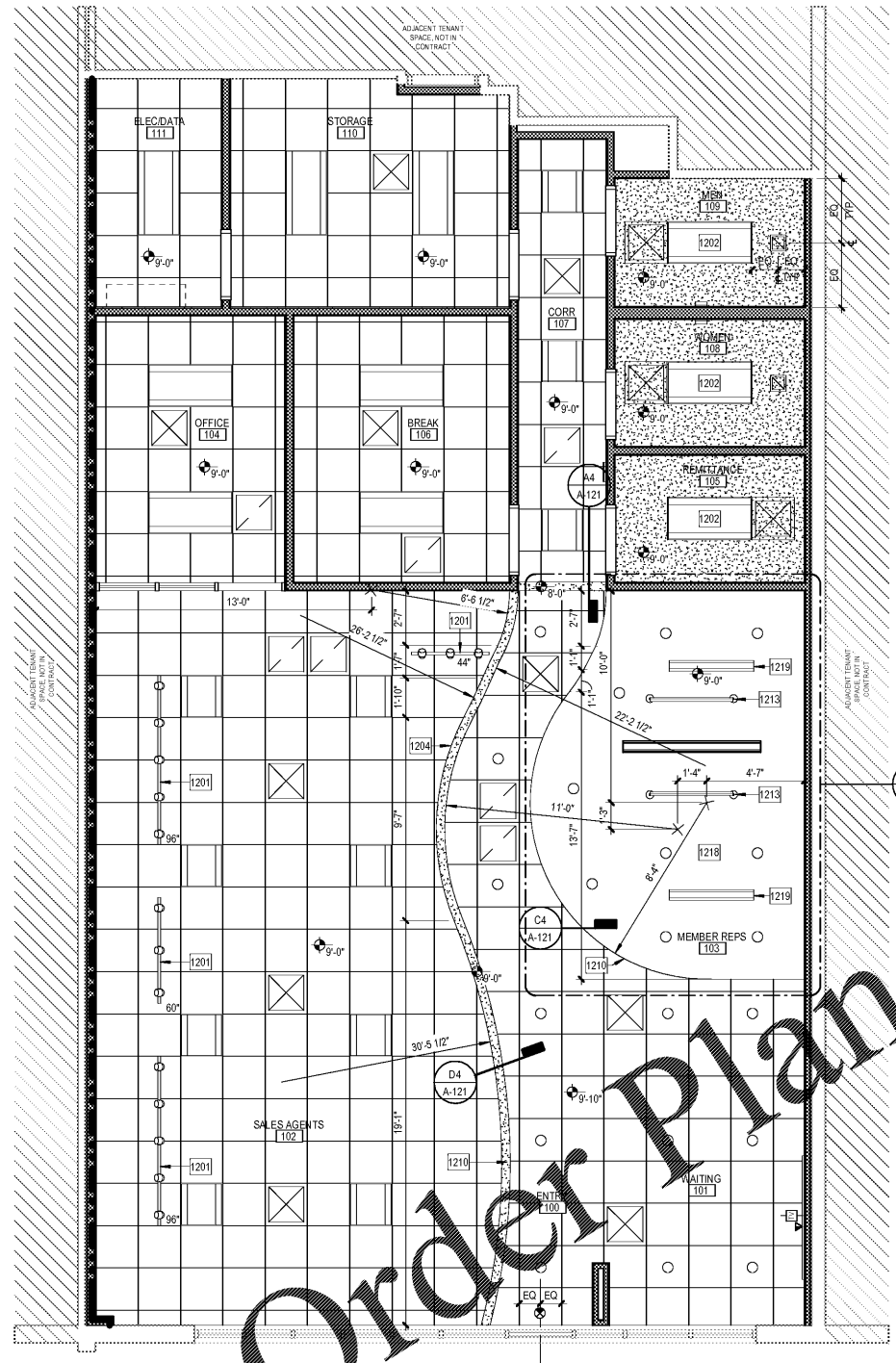
A4 BULKHEAD SECTION DETAIL
1 1/2" = 1'-0"
D6 / A-121



C4 BULKHEAD SECTION DETAIL
1 1/2" = 1'-0"
D6 / A-121



D4 BULKHEAD SECTION DETAIL
1 1/2" = 1'-0"
D6 / A-121



REFLECTED CEILING PLAN
1/4" = 1'-0"

COLUMBUS, GA
AAA AUTO CLUB GROUP
progressive | ae
PROGRESSIVE ARCHITECTURE ENGINEERS, P.C.
330 South Tryon St., Suite 500 - Charlotte, NC 28202 - Tel: 704.751.8500 | www.progressiveae.com

REFLECTED CEILING PLAN
A-121