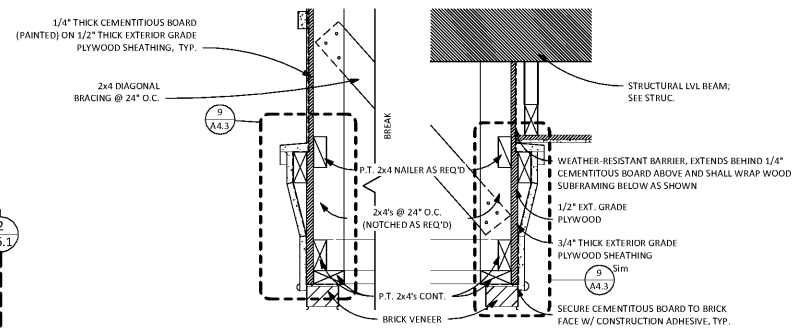
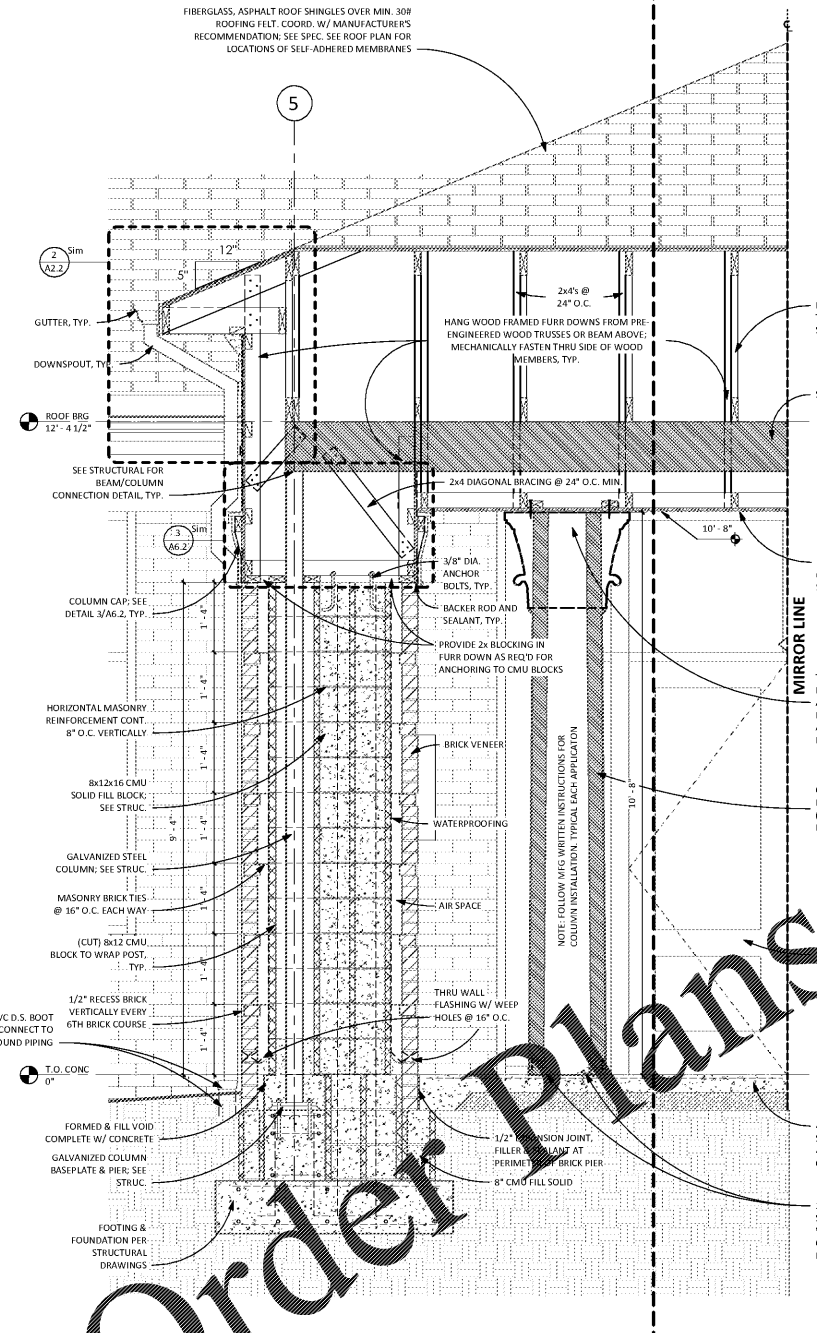


JOB No.	18004
DOCUMENT	DATE
BID SET:	09/06/2019

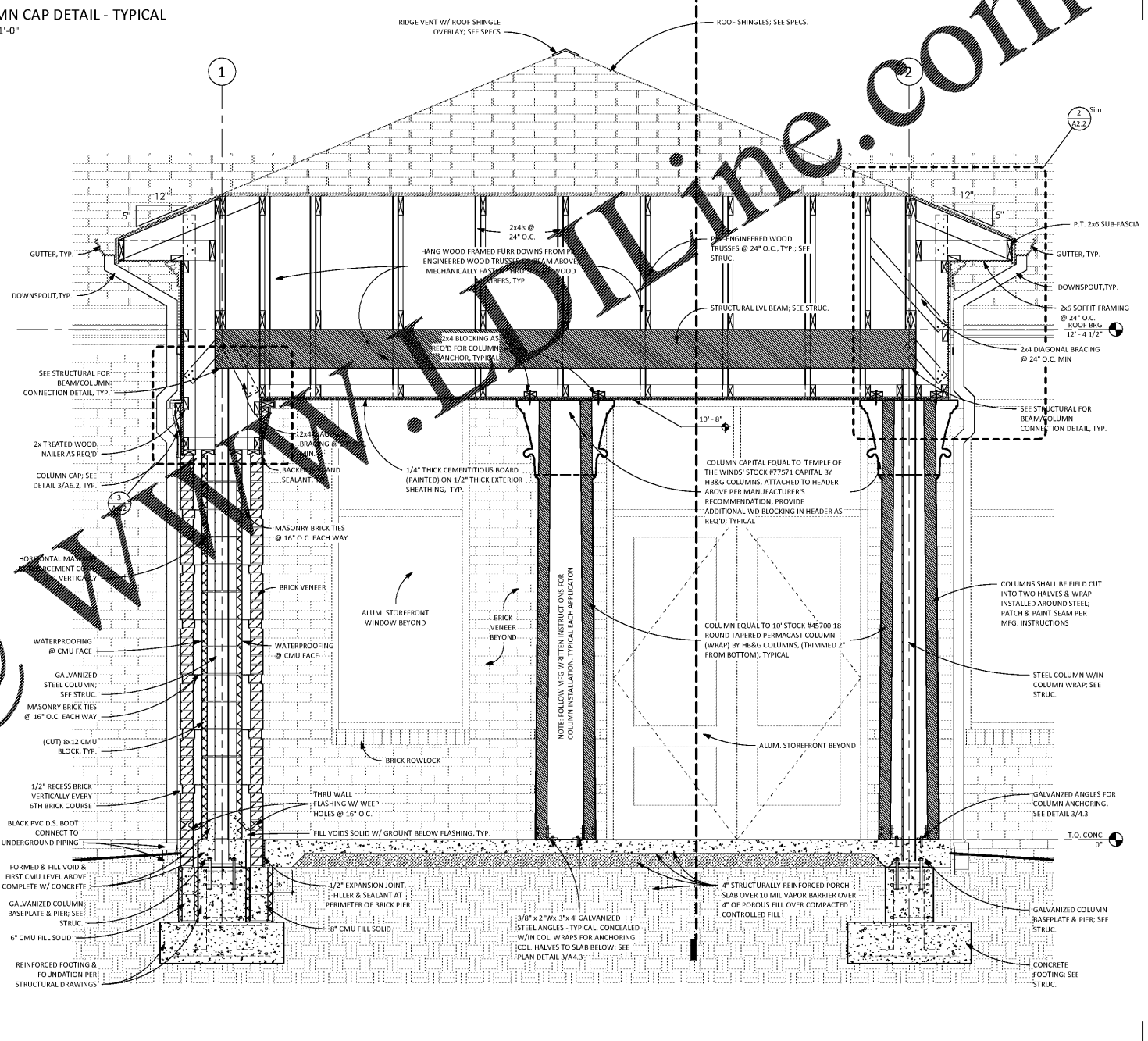
DRAWN BY: Author
BUILDING SECTIONS
A6.2



3 COLUMN CAP DETAIL - TYPICAL
 1 1/2" = 1'-0"



1 SECTION - NORTH ENTRY PORTICO
 3/4" = 1'-0"



2 SECTION - SOUTH ENTRY PORTICO
 3/4" = 1'-0"

Order Plans @

WWW.DIYline.com