



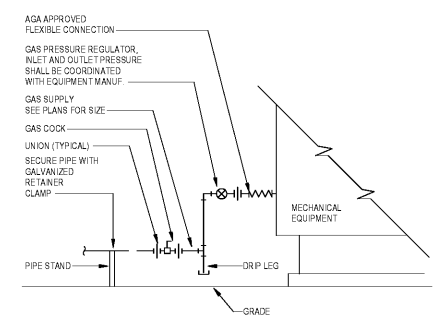
COOPER CARRY
THE CENTER FOR CONNECTIVE ARCHITECTURE

191 Peachtree Street NE
Suite 2400
Atlanta, GA 30303-1770
(404) 237-2000
coopercarry.com

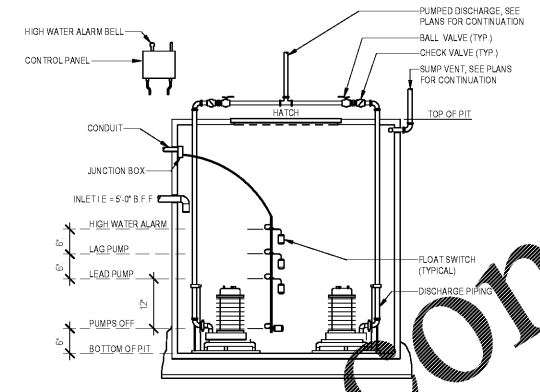
00219 COOPER CARRY



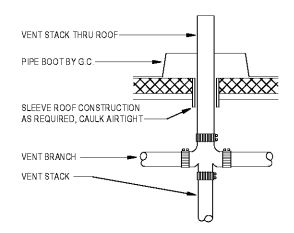
ISSUANCES		
No.	Drawing Issue Description	Date
1	ISSUED FOR BID	11/04/19



3 MECHANICAL EQUIPMENT GAS CONNECTION DETAIL
Scale: N.T.S.



1 SANITARY DUPLEX SEWAGE EJECTOR (SEP-1) DETAIL
Scale: N.T.S.



2 VENT THRU ROOF (VTR) DETAIL
Scale: N.T.S.

- NOTES:
- COORDINATE WITH ARCHITECTURAL AND STRUCTURAL PLANS AND DETAILS
 - SIZE OF OPENING IN ROOF DECK TO BE AS SMALL AS POSSIBLE COORDINATE WITH STRUCTURAL DRAWINGS
 - REFER TO ARCHITECTURAL DRAWINGS FOR ROOF CONSTRUCTION TYPE

Order Plans @ www.LDILine.com

PROJECT NUMBER: 20190224.01 PROJECT NAME: PEBBLEBROOK HS B007 - FIELDHOUSE
SHEET NUMBER: PF0.02 - PLUMBING DETAILS
D:\Revit\Projects\1810370_Pebblebrook B007_Fieldhouse_MEP_19_Central_EsterA.rvt
10/31/2019 10:22:56 AM

JSE Jordan & Skala Engineers
4275 Shadelford Road, Suite 200 • Norcross, GA 30093
p 770 447 5547 • f 770 448 0262
Project Number: 1810370 Drawn By: EIA Checked By: JMW

PEBBLEBROOK HS B007 - FIELDHOUSE
DOE Facility Code 4066
FTE = 2787
IU = 143
991 OLD ALABAMA ROAD
MABLETON, GA 30126
COBB COUNTY SCHOOL DISTRICT
PLUMBING DETAILS

DHS	20190224.01
Principal Charge	Project No.
DWG	11/04/19
Project Manager	Date
JMW	
Project Architect	
EIA	
Staff Architect	
	PF0.02

ISSUED FOR CONSTRUCTION