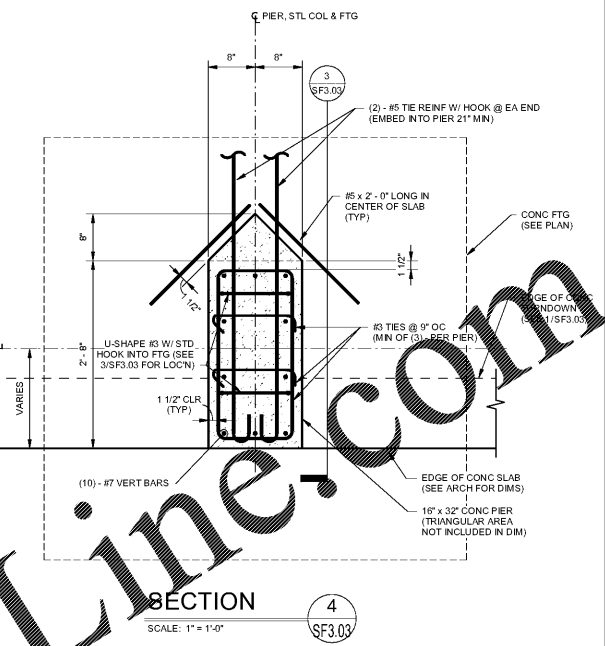
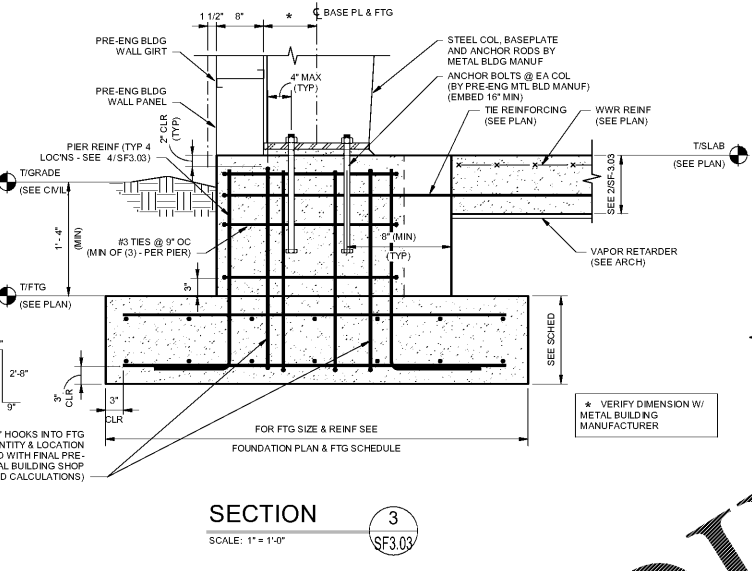
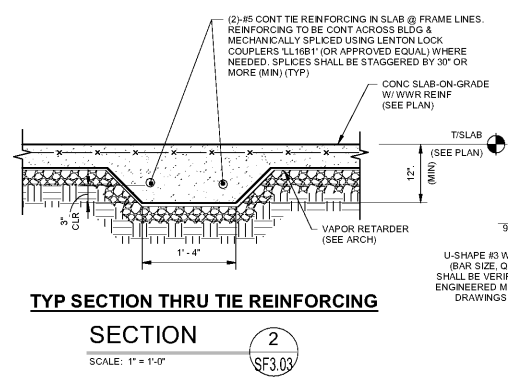
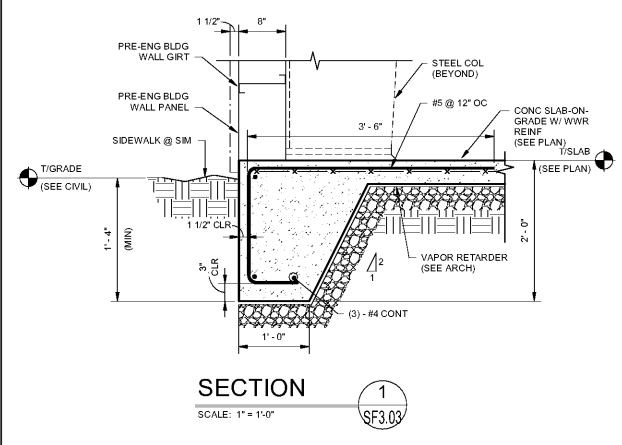




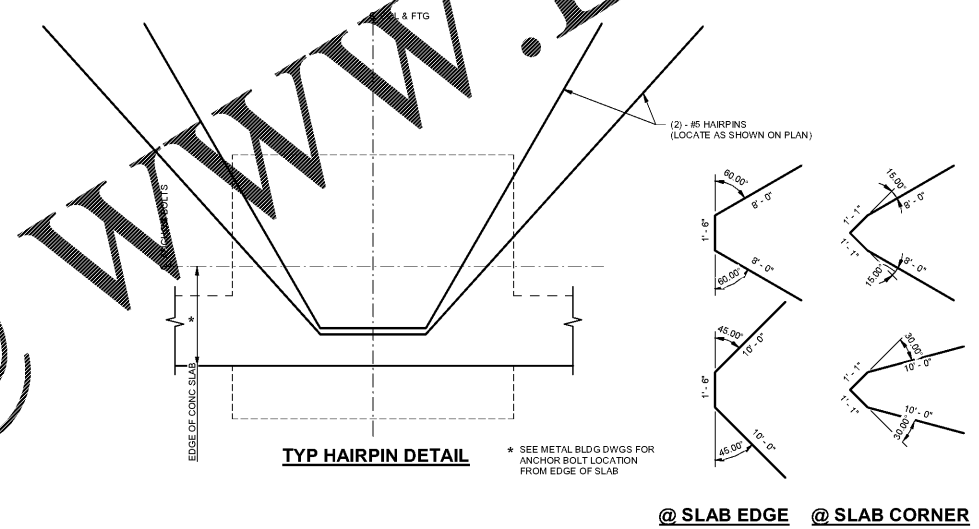
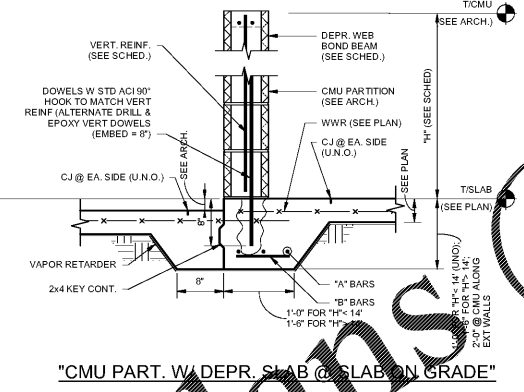
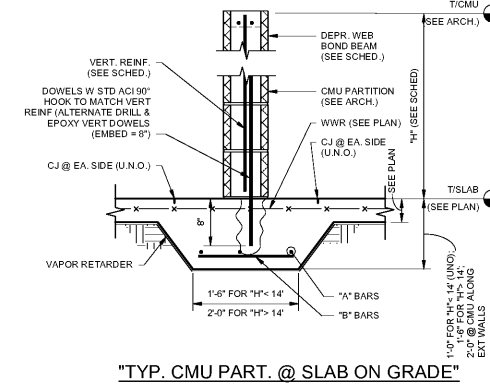
ISSUANCES		
No.	Drawing Issue Description	Date
1	ISSUED FOR 3D	11/04/19



**CANTILEVER CMU SCHEDULE
(INT. NON-LOAD BEARING) (5/SF3.03)**

CMU SIZE	"H"	VERT. REINF	DEPR. WEB BOND BEAM	"A" BARS	"B" BARS
6" (TYP INT)	≤ 10'-0"	#5 @ 40" O.C.	(1)-#4	(3)-#4	#4 @ 12" O.C.
8" (ALONG EXT WALLS)	≤ 10'-0"	#5 @ 24" O.C.	(1)-#4	(3)-#4	#5 @ 12" O.C.
8"	≤ 14'-0"	#5 @ 40" O.C.	(2)-#4	(3)-#4	#4 @ 12" O.C.
8"	16'-0"	#5 @ 32" O.C.	(2)-#4	(3)-#5	#5 @ 12" O.C.
8"	18'-0"	#5 @ 24" O.C.	(2)-#4	(3)-#5	#5 @ 12" O.C.

NOTES:
1. GC SHALL PROVIDE 1" (MIN) GAP BETWEEN FACE CMU AND FACE OF PRE-ENGINEERED METAL BUILDING COLUMNS, RAFTERS & PURLINS (TYP).



Order Plans @

PROJECT NUMBER: 20190224.01 PROJECT NAME: PEBBLEBROOK HS S5B007 - FIELDHOUSE
SHEETS: 15/19 SHEET NO: 15/19 SHEET TITLE: FOUNDATION SECTION & DETAILS
Location: Fieldhouse-R19-STRUCT_asellers.nt
10/31/2019 12:17:59 PM