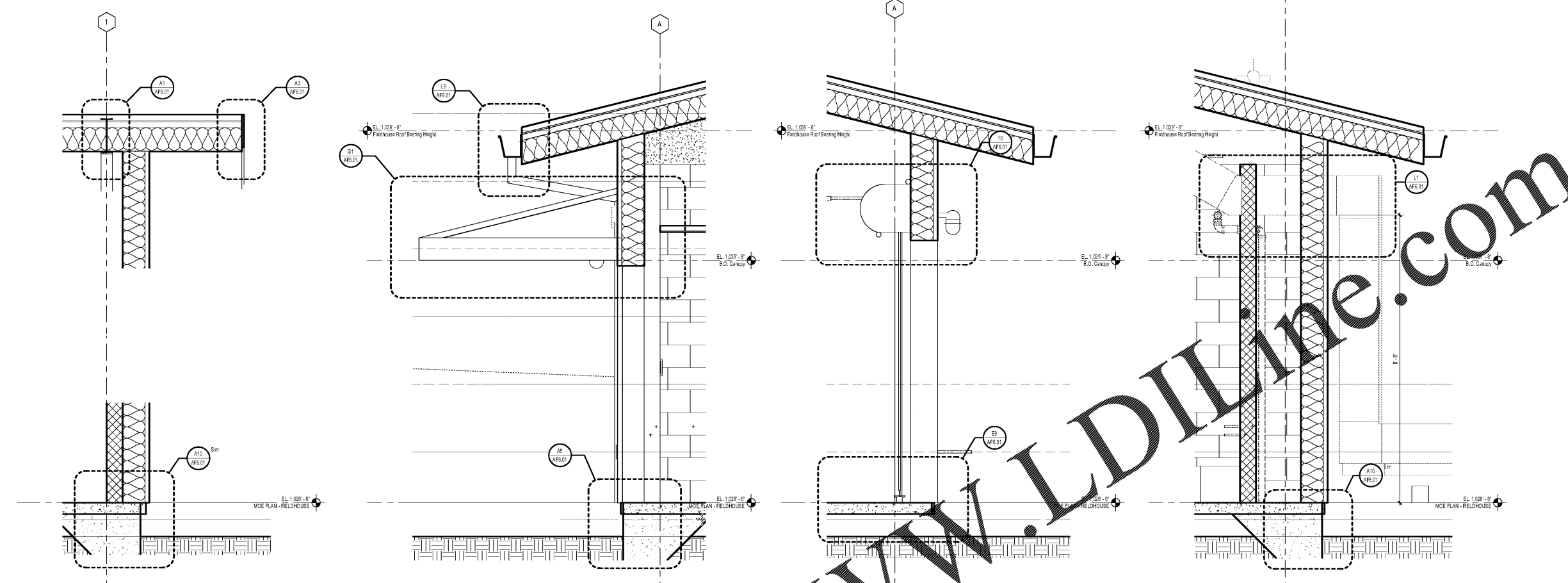




ISSUANCES		
No.	Drawing Issue Description	Date
06-00E	PRELIMINARY SUBMITTAL	07/31/19
ISSUED FOR B/D		11/04/19

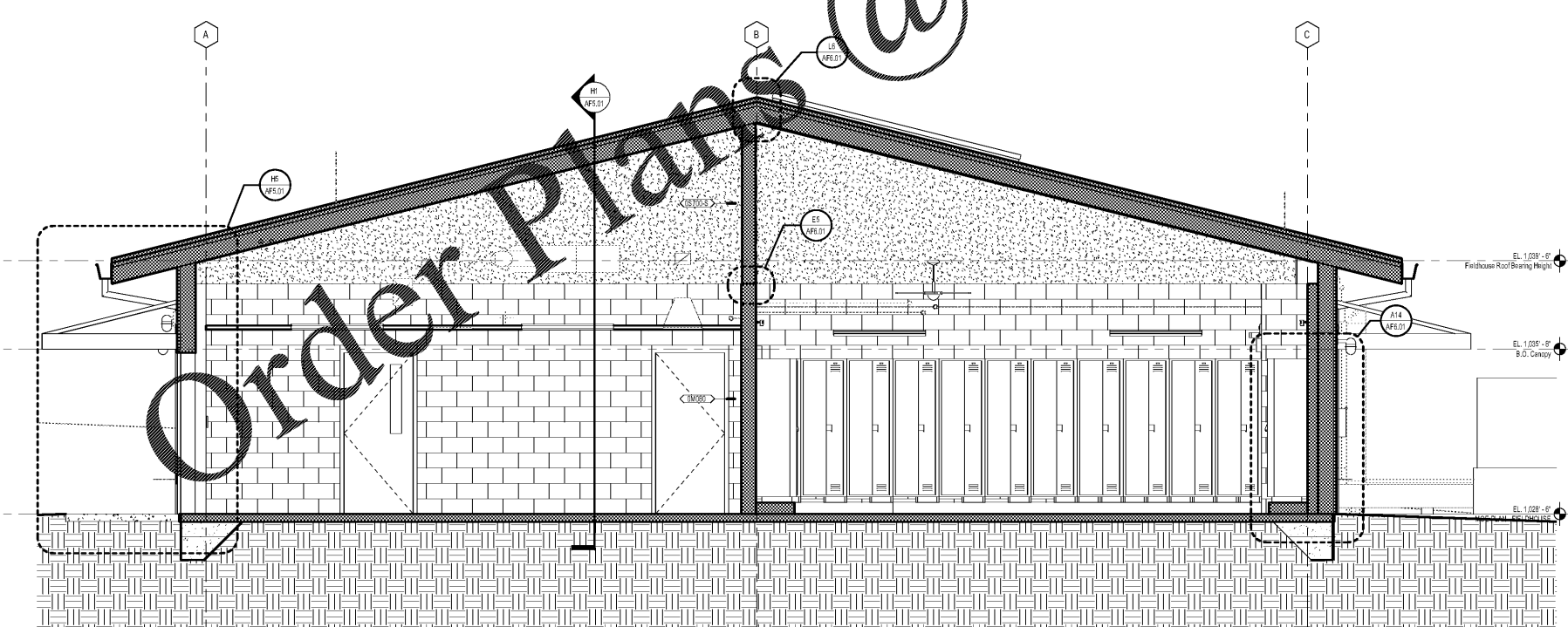


H1 WALL SECTION
AF5.01 SCALE: 3/4" = 1'-0"

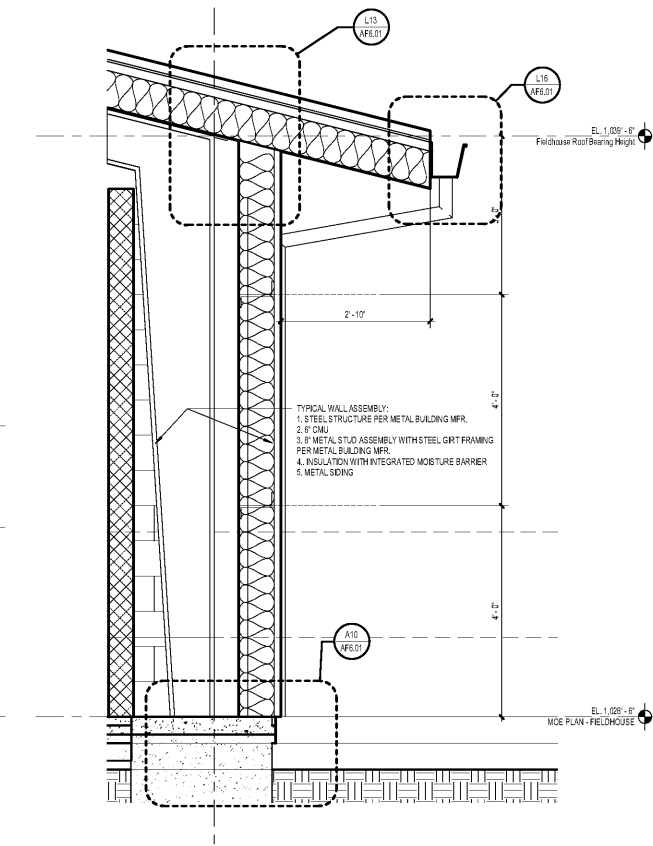
H5 WALL SECTION
AF5.01 SCALE: 3/4" = 1'-0"

H10 WALL SECTION
AF5.01 SCALE: 3/4" = 1'-0"

H14 WALL SECTION - DUCT PENETRATION
AF5.01 SCALE: 3/4" = 1'-0"



A1 BUILDING SECTION
AF5.01 SCALE: 3/8" = 1'-0"



A14 TYPICAL WALL SECTION
AF5.01 SCALE: 3/4" = 1'-0"

- TYPICAL WALL ASSEMBLY:
1. STEEL STRUCTURE PER METAL BUILDING MFR.
 2. 6" CMU
 3. 1/2" METAL STUD ASSEMBLY WITH STEEL CHIT FRAMING PER METAL BUILDING MFR.
 4. INSULATION WITH INTEGRATED MOISTURE BARRIER
 5. METAL SIDING

PEBBLEBROOK HS S5B007 - FIELDHOUSE
DOE Facility Code 7010
FTE = 2787
IU = 143
991 OLD ALABAMA ROAD
MABLETON, GA 30126
COBB COUNTY SCHOOL DISTRICT
BUILDING & WALL SECTIONS

ROBERT JUST 20190224.01
Principal/Designer
SOPHIA TARKHAN 11/04/19
Project Manager
MARC NUNES
Project Architect
WILLIAM CALLAHAN
Staff Architect

AF5.01

PROJECT NUMBER: 20190224.01 PROJECT NAME: PEBBLEBROOK HS S5B007 - FIELDHOUSE
SHEET NUMBER: AF5.01 - BUILDING & WALL SECTIONS
M:\2018\20180008\7-drawings\4-7-1-rev\Users\20180008_Pebblebrook B007_Fieldhouse_2019_Callahan\01947.rvt
11/1/2019 10:42:50 AM

Order Plans @ www.LDinline.com