



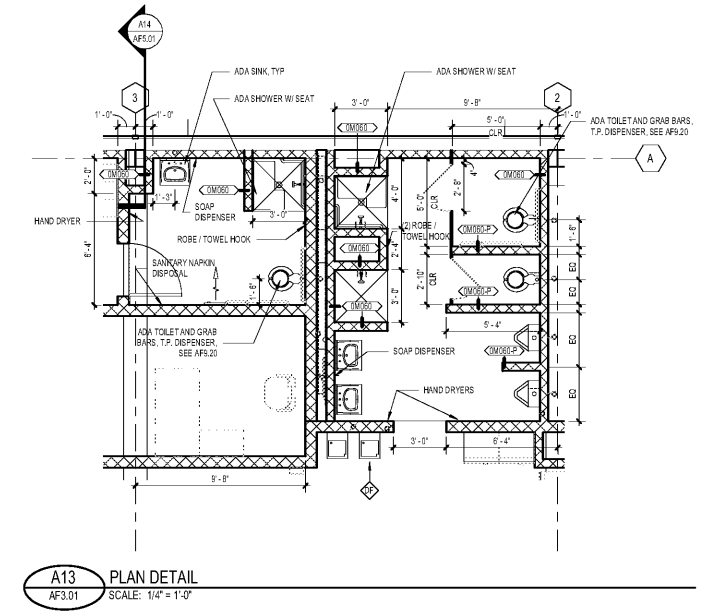
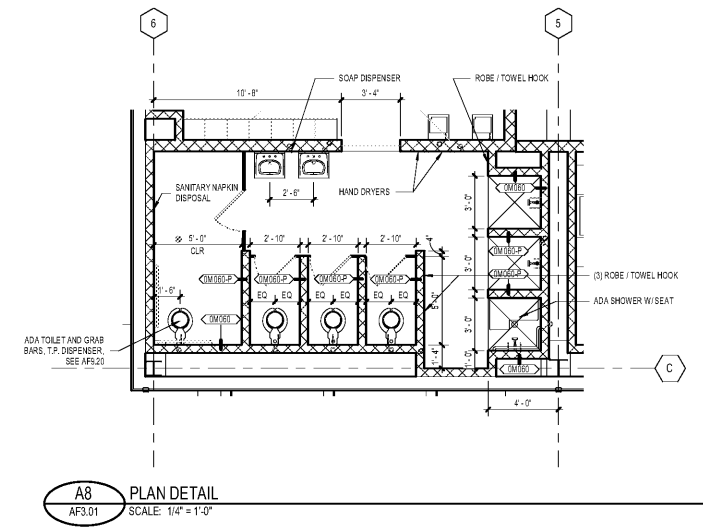
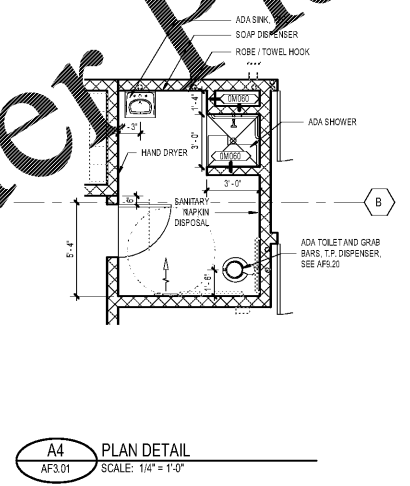
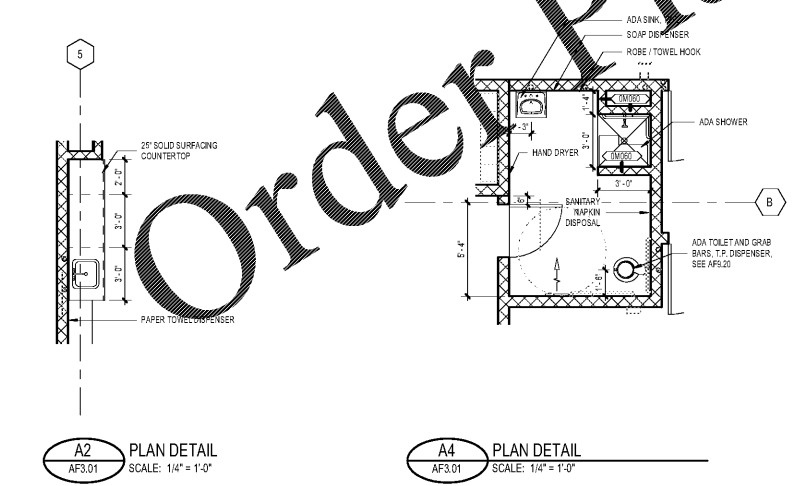
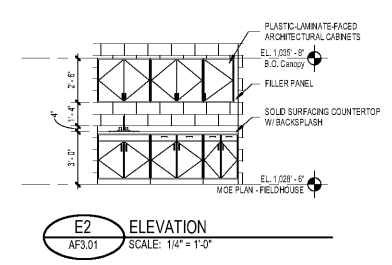
COOPER CARRY
THE CENTER FOR CONNECTIVE ARCHITECTURE

191 Peachtree Street NE
Suite 2400
Atlanta, GA 30303-1770
(404) 257-2000
coopercarry.com

©2019 COOPER CARRY



ISSUANCES		
No.	Drawing Issue Description	Date
1	ISSUED FOR B/D	11/04/19



PROJECT NUMBER: 20190224.01 PROJECT NAME: PEBBLEBROOK HS S5B007 - FIELDHOUSE
SHEET NUMBER: AF3.01 - ENLARGED PLANS - FIELDHOUSE
M:\2018\201800008\7 drawings\4-7-1 rev\Users\20180008_Pebblebrook HS S5B007 - Fieldhouse_2019_Callahan\01947.rvt
11/1/2019 10:42:45 AM

Order Plans @ www.LDILine.com

**PEBBLEBROOK HS S5B007 -
FIELDHOUSE**
DOE Facility Code 7010
FTE = 2787
IU = 143
991 OLD ALABAMA ROAD
MABLETON, GA 30126
COBB COUNTY SCHOOL DISTRICT
ENLARGED PLANS -
FIELDHOUSE

ROBERT JUST 20190224.01
Principal/Designer
SOPHIA TARKHAN 11/04/19
Project Manager
MARC NUNES
Project Architect
WILLIAM CALLAHAN
Staff Architect

AF3.01

ISSUED FOR CONSTRUCTION