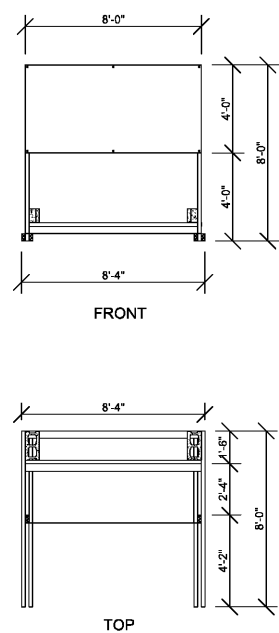
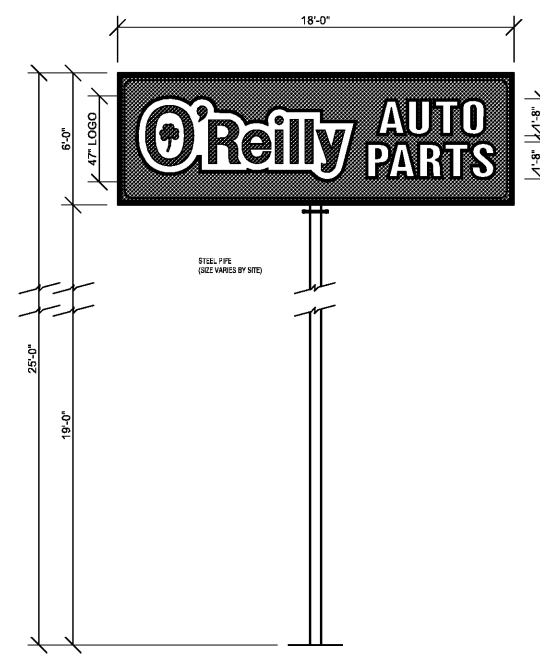
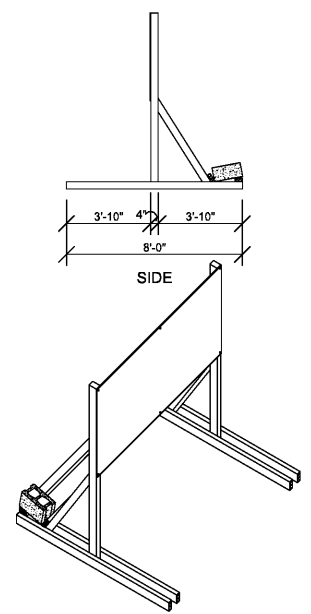


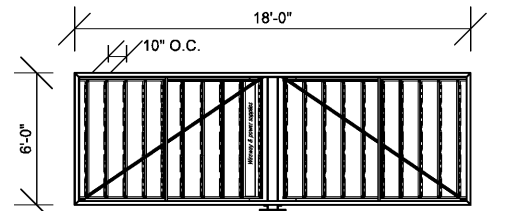
Order Plans @ www.LDILine.com



1 COMING SOON
SG1.2 TEMPORARY CONSTRUCTION SIGN
 SCALE: 1/4" = 1'-0"

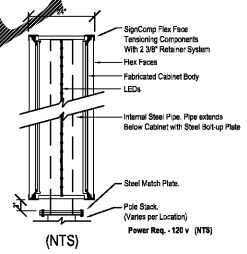


2 GROUND SIGN ELEVATION
SG1.2 SCALE: 1/4" = 1'-0"



POLE SIGN PART# 6-18 SIGN CABINET-PE-DF
 SCALE: 1/4" = 1'-0" 108.00 SQ FT

- ① 14-1/2" deep extruded cabinet with support structure and 2 1/4" retainers
- ② Internal steel pipe with external steel bolt-up plate(s).
- ③ GE-Tetra PowerStrip DS White LED's, Part #GEWHDSPSS (7109K) 5 LED's per module (3 LED's per side) on GE-Tetra Mounting Rails, Part #GEDSRL08, Rails on 18" centers, 100 total modules.
- ④ GE-Tetra Power Supplies, Part #GEP526-180U 24 Volt 90-305VAC 5080 HZ Load capacity: 16 modules per power supply, Total of four (4) per display.
- ⑤ Fabricated aluminum internal power supply wireway.
- ⑥ Faces are Paraflex/Digital print. Face graphics to match PMS 200c Red, PMS 342c Green, Black and White.
- ⑦ 24" deep fabricated cabinet with SignComp flex face tensioning components and 2 3/8" retainers. Internal steel pipe with external steel bolt-up plate(s). Vertical GE (GEWHDSPSS) White DS LED illumination. Paint cabinet to: Gloss Black. Internal pipe/cabinet exposure calculation: C50
- ⑧ Cabinet to be installed with bolt-up plate(s). Paint to: Gloss Black



GENERAL NOTES

- A REFER TO PROJECT MANUAL FOR ADDITIONAL REQUIREMENTS.
- B CONTACT OWNER'S OR TENANT'S DESIGNATED PROJECT ADMINISTRATOR FOR QUESTIONS OR CLARIFICATIONS.
- C PERMANENT SIGNAGE OWNER FURNISHED AND INSTALLED, (REFER TO SCOPE OF WORK SCHEDULE), SIGNAGE GRAPHICS PROVIDED FOR REFERENCE ONLY (N.I.C.) AND CONTRACTOR'S COORDINATION WITH SPECIFIC PROJECT CONSTRUCTION CONDITIONS.
- D SITE SIGN ROUGH-IN ELECTRICAL TO BE PROVIDED BY CONTRACTOR.
- E REQUIRED GOVERNMENTAL PERMITS FOR PERMANENT TYPE SIGNAGE TO BE PROVIDED BY SIGN COMPANY PER OWNER'S DIRECTION (N.I.C.).
- F "COMING SOON" TEMPORARY CONSTRUCTION SIGN TO BE PROVIDED BY GENERAL CONTRACTOR. APPLIED SIGNAGE GRAPHICS TO BE OWNER FURNISHED AND GENERAL CONTRACTOR INSTALLED. CREATE TEMPORARY CONSTRUCTION SIGN ON SITE SO AS TO BE VISIBLE TO PUBLIC FROM RIGHT-OF-WAY.
- G UNLESS OTHERWISE INDICATED, SITE POLE SIGN FOUNDATION CONSTRUCTION BY SIGN CONTRACTOR (BY OTHERS - NOT IN CONTRACT) AND SITE MONUMENT SIGN FOUNDATION CONSTRUCTION BY GENERAL CONTRACTOR (BASE BID).

SPECIAL NOTE:
 SIGN DESIGN BY OTHERS. REFER TO SIGN CONTRACTOR'S SHOP DRAWINGS FOR ADDITIONAL REQUIREMENTS.

SITE SIGN SCHEDULE

TEMPORARY CONSTRUCTION SIGN:
 TYPE: COMING SOON
 DETAIL: REFER TO 1/SG1.2

SITE SIGN:
 TYPE: POLE (8H X 18'W X 25' H.)
 DETAIL: REFER TO 2/SG1.2

NOTE:
 REFER TO SHEET S1.2 FOR SIGN FOUNDATION SYSTEM STRUCTURAL REQUIREMENTS.

INDIVIDUAL ARCHITECTURAL REGISTRATION NO.: 5378



O'Reilly AUTO PARTS
 CORPORATE OFFICES
 233 SOUTH PATTERSON
 SPRINGFIELD, MISSOURI 65802
 (417) 862-2674 TELEPHONE

PROJECT:
 NEW O'REILLY AUTO PARTS STORE
 U.S. HWY 84 & N. BROADWAY
 ASHFORD, AL

SITE SIGNAGE DETAILS

Buddy Webb, NCARB, AIA
Architect - Consultant
 3057 EAST CAIRO
 SPRINGFIELD, MISSOURI 65802
 (417) 877-1365 TELEPHONE
 (417) 877-8736 FAX

DRAWN BY: CG
CHECKED BY: SB
DATE: 04/02/19
REVISION:
PROJECT NUMBER: AHF
SHEET NUMBER:

SG1.2

© COPYRIGHT 2019 - DESIGNS, DRAWINGS AND SPECIFICATIONS ARE INSTRUMENTS OF SERVICE AND ARE THE PROPERTY OF THE DESIGN PROFESSIONAL. REPRODUCTION PROHIBITED WITHOUT THE EXPRESSED WRITTEN CONSENT OF THE DESIGN PROFESSIONAL.