



SHEETS BEARING THIS SEAL ARE AUTHENTICATED. RESPONSIBILITY FOR ALL OTHER PLANS, SPECIFICATIONS OR INSTRUMENTS ARE DISCLAIMED.

Reilly AUTO PARTS
 CORPORATE OFFICES
 233 SOUTH PATTERSON
 SPRINGFIELD, MISSOURI 65802
 (417) 862-2674 TELEPHONE

PROJECT:
NEW O'REILLY AUTO PARTS STORE
U.S. HWY 84 & N. BROADWAY
ASHFORD, AL
PLUMBING DETAILS

3865 S. JEFFERSON AVE.
 SPRINGFIELD, MD 21157
 P: 417-882-2200
 F: 417-882-1188
 WWW.BMTHDOTH.COM

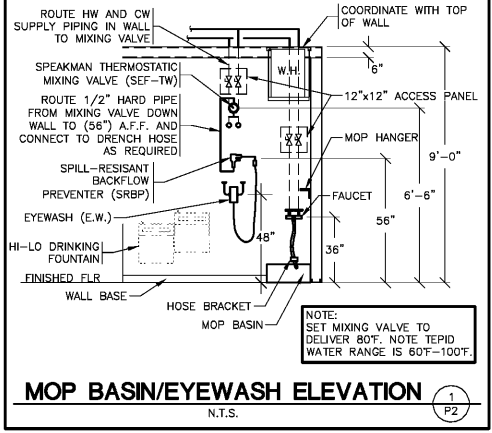
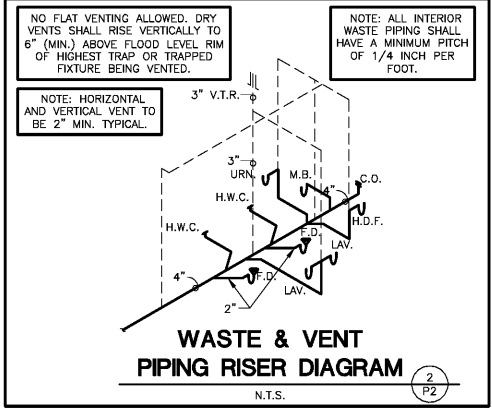
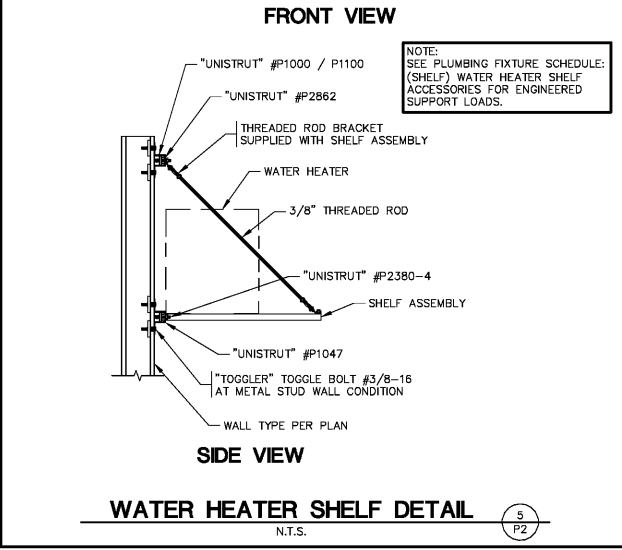
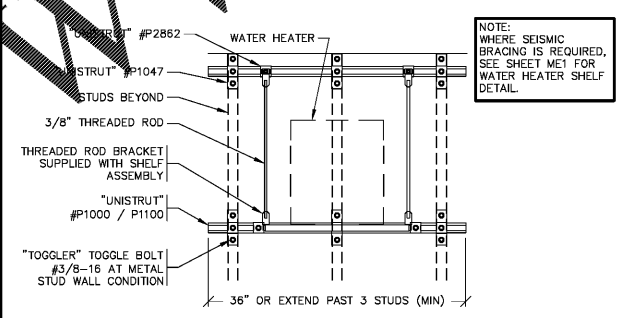
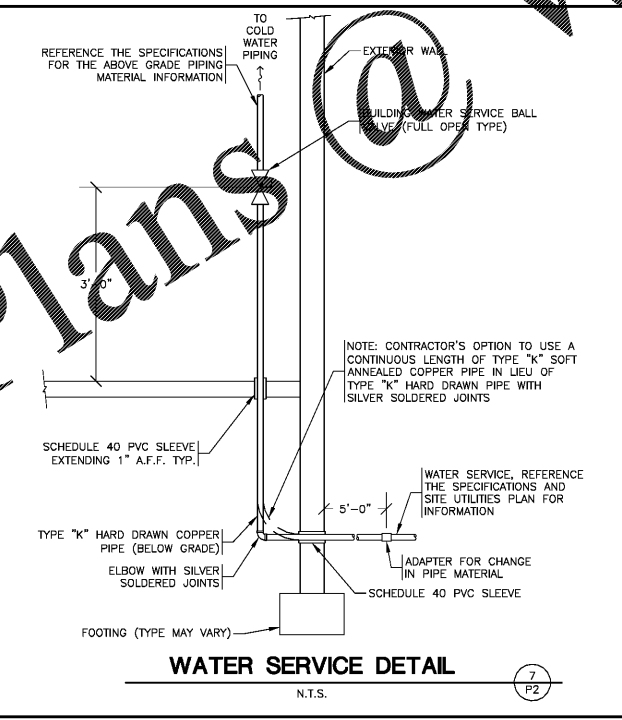
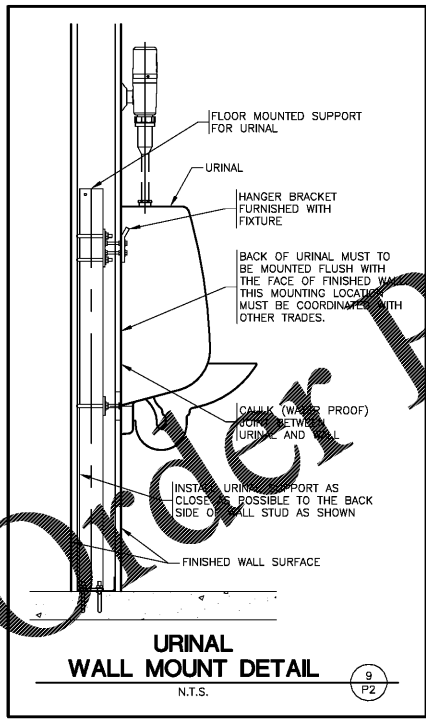
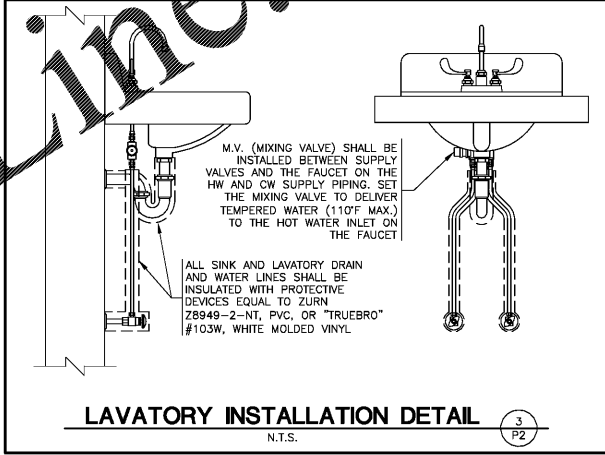
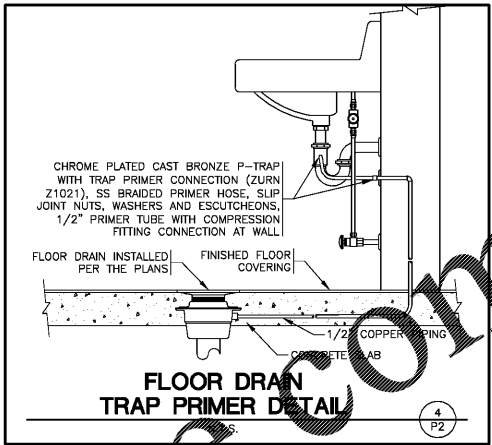
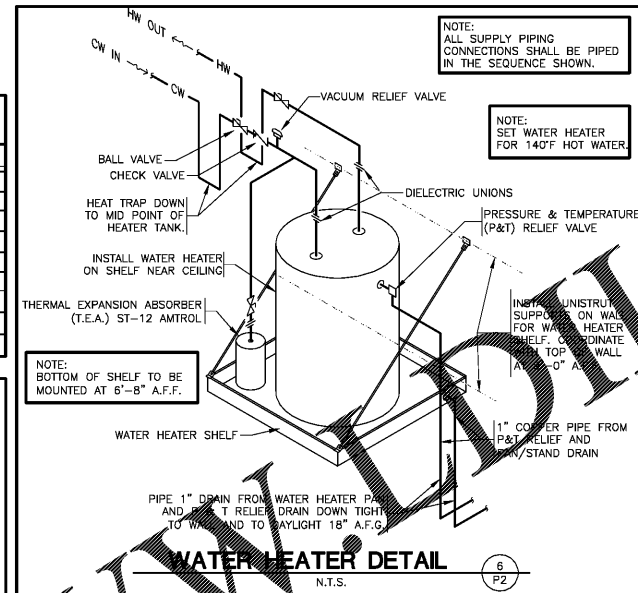
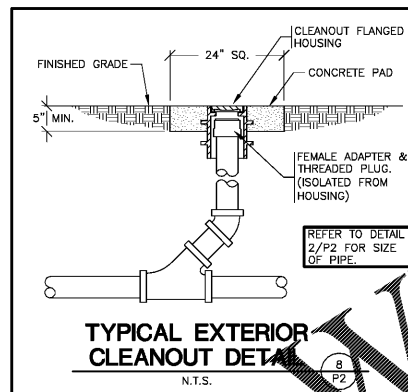


DRAWN BY: **CEV** CHECKED BY: **NEG**
 DATE: **04/02/19**
 REVISION:

PROJECT NUMBER:
AHF

SHEET NUMBER
P2

PLUMBING CALCULATIONS							
FIXTURE	QUANTITY	TOTAL-SFU	TOTAL	TOTAL-HW	TOTAL	DFU	TOTAL
W.C. (TANK)	2	5	10	0	0	4	8
URN. (URINAL)	1	5	5	0	0	4	4
LAV. (LAVATORY)	2	2	4	1.5	3.00	2	4
M.B. (MOP BASIN)	1	3	3	1.5	1.50	2	2
H.D.F. (FOUNTAIN)	1	0.25	0.25	0	0	0.5	0.50
H.B. (HOSE BIBB)	2	3	6	0	0	0	0
TOTAL		28.25	TOTAL	4.50	TOTAL	18.50	
TOTAL CW GPM	20		AVERAGE DAILY FLOW = 125 gal/DAY				
COLD WATER SERVICE SIZE	1"						



COPYRIGHT 2018-2019 BY SGE ENGINEERS INC. ALL RIGHTS RESERVED. REPRODUCTION PROHIBITED WITHOUT THE EXPRESSED WRITTEN CONSENT OF THE DESIGN PROFESSIONAL.