

GENERAL NOTES

- (A) REFER TO PROJECT MANUAL AND SCOPE OF WORK SCHEDULE FOR ADDITIONAL REQUIREMENTS.
- (B) SHEET METAL AND ROOFING CONSTRUCTION SHALL COMPLY WITH NATIONAL ROOFING CONTRACTORS ASSOCIATION (NRCA) AND SHEET METAL AND AIR CONDITIONING CONTRACTORS NATIONAL ASSOCIATION (SMACNA) DESIGN STANDARDS AND RECOMMENDATIONS.



O'Reilly AUTO PARTS
 CORPORATE OFFICES
 233 SOUTH PATTERSON
 SPRINGFIELD, MISSOURI 65802
 (417) 862-2674 TELEPHONE

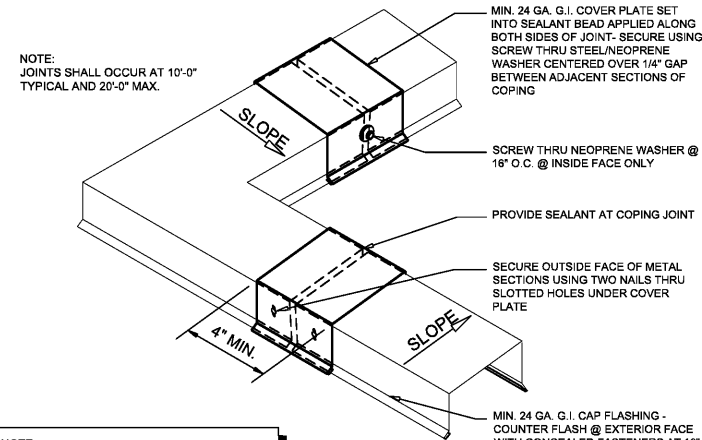
PROJECT:
NEW O'REILLY AUTO PARTS STORE
U.S. HWY 84 & N. BROADWAY
ASHFORD, AL

EXTERIOR DETAILS

Buddy Webb, NCARB, AIA
Architect - Consultant
 3057 EAST CAIRO
 SPRINGFIELD, MISSOURI 65802
 (417) 877-1365 TELEPHONE
 (417) 877-8736 FAX

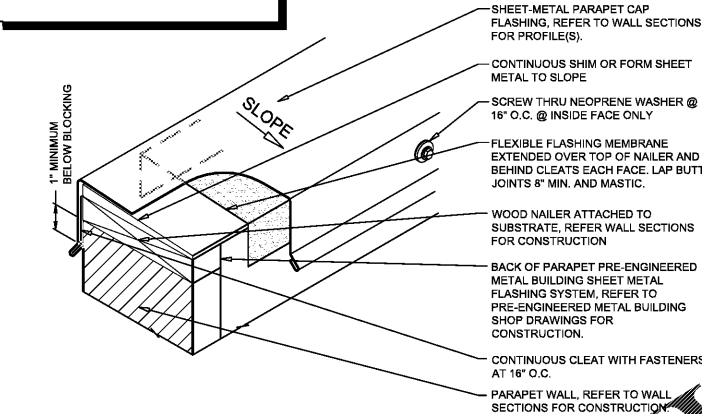
DRAWN BY: **CG** CHECKED BY: **SB**
 DATE: **04/02/19**
 REVISION:
 PROJECT NUMBER: **AHF**

SHEET NUMBER
A6.1



NOTE:
 JOINTS SHALL OCCUR AT 10'-0" TYPICAL AND 20'-0" MAX.

NOTE:
 REFER TO SECTIONS AND DETAILS FOR WALL CONSTRUCTION ASSEMBLIES AND NOTATION.



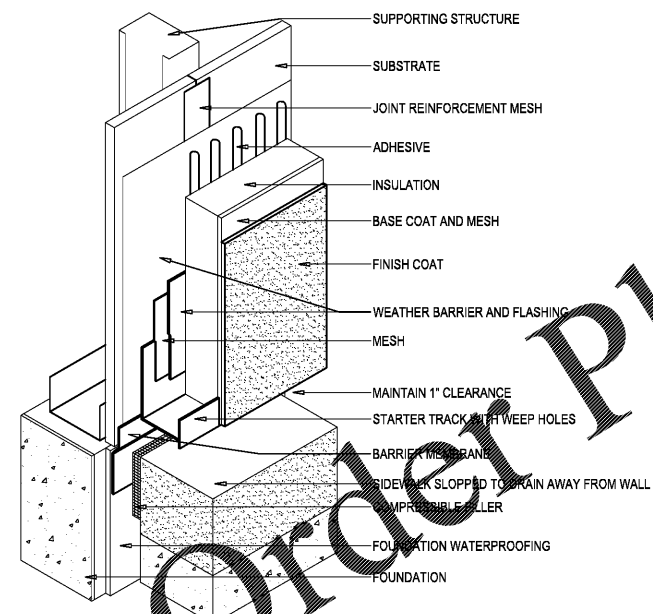
NOTE:
 REFER TO SECTIONS AND DETAILS FOR WALL CONSTRUCTION ASSEMBLIES AND NOTATION.

NOTES:
 1. INSTALLATION TO BE COMPLETED IN ACCORDANCE WITH MANUFACTURER'S SPECIFICATIONS.

1 (NOT USED)
 A6.1 SCALE: N.T.S.

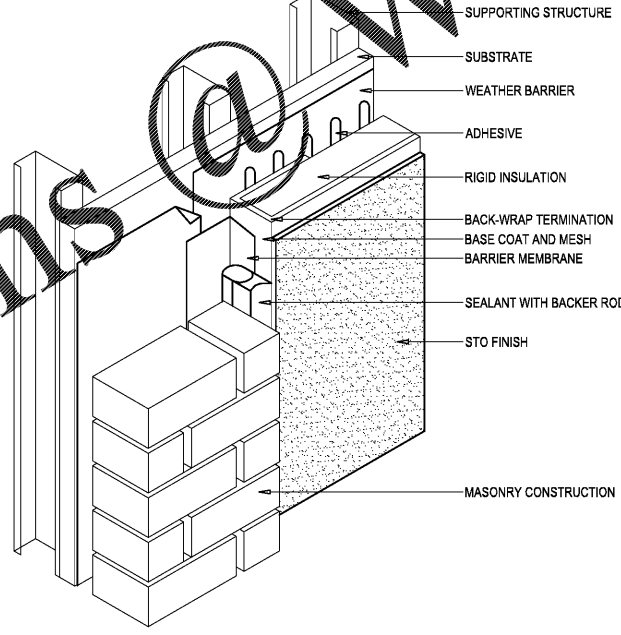
2 TYPICAL COPING FLASHING DETAIL
 A6.1 SCALE: N.T.S.

3 EIFS DECORATIVE JOINT DETAIL
 A6.1 SCALE: N.T.S.



NOTE:
 REFER TO SECTIONS AND DETAILS FOR WALL CONSTRUCTION ASSEMBLIES AND NOTATION.

NOTES:
 1. INSTALLATION TO BE COMPLETED IN ACCORDANCE WITH MANUFACTURER'S SPECIFICATIONS.
4 EIFS TERMINATION DETAIL
 A6.1 SCALE: N.T.S.



NOTE:
 REFER TO SECTIONS AND DETAILS FOR WALL CONSTRUCTION ASSEMBLIES AND NOTATION.

NOTES:
 1. INSTALLATION TO BE COMPLETED IN ACCORDANCE WITH MANUFACTURER'S SPECIFICATIONS.
5 EIFS TERMINATION DETAIL
 A6.1 SCALE: N.T.S.

© COPYRIGHT 2019 - DESIGNS, DRAWINGS AND SPECIFICATIONS ARE INSTRUMENTS OF SERVICE AND ARE THE PROPERTY OF THE DESIGN PROFESSIONAL. REPRODUCTION PROHIBITED WITHOUT THE EXPRESSED WRITTEN CONSENT OF THE DESIGN PROFESSIONAL.