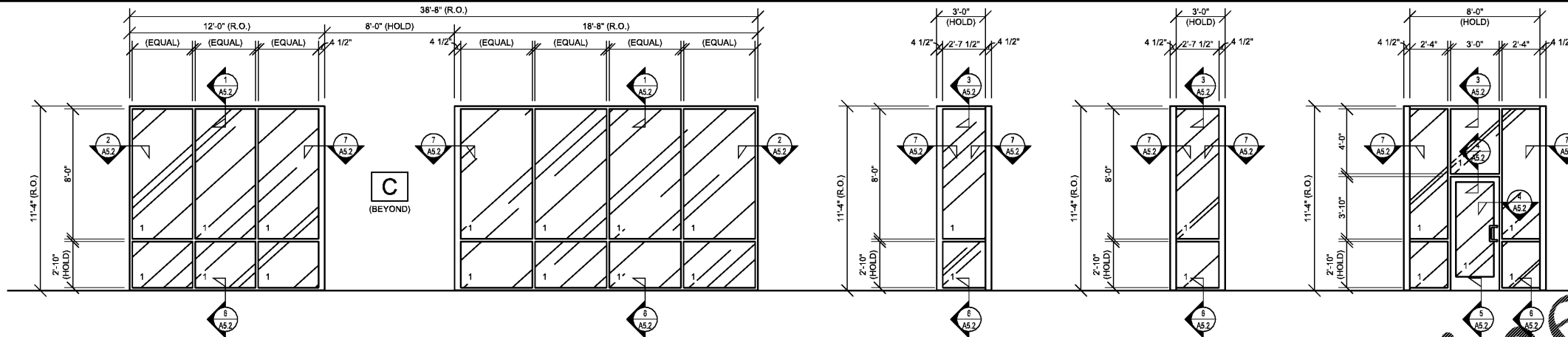
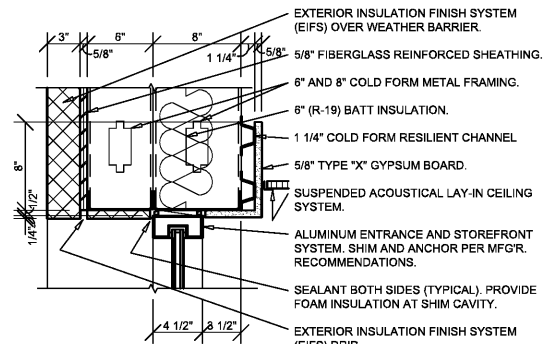


WINDOW TYPES



A ALUMINUM STOREFRONT FRAMING (2' X 4 1/2') SYSTEM, THERMALLY BROKEN, FIXED UNIT.

NOTE: REFER TO WALL SECTIONS FOR TYPICAL EXTERIOR WALL CONSTRUCTION NOTATION.

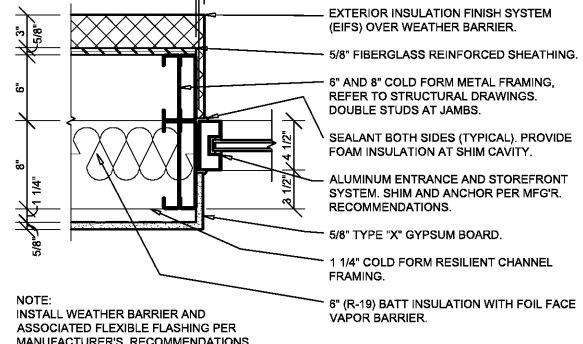


1 HEAD DETAIL

A5.2 SCALE: 1 1/2" = 1'-0"

C (BEYOND)

NOTE: REFER TO WALL SECTIONS FOR TYPICAL EXTERIOR WALL CONSTRUCTION NOTATION.

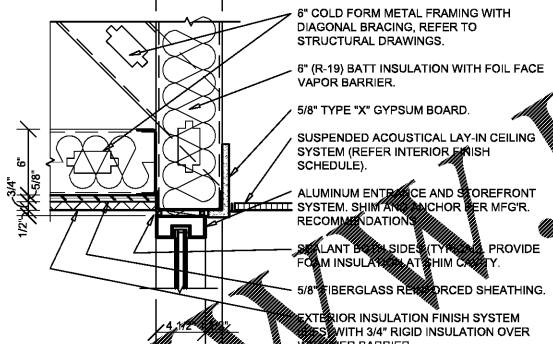


2 JAMB DETAIL

A5.2 SCALE: 1 1/2" = 1'-0"

B1 ALUMINUM STOREFRONT FRAMING (2' X 4 1/2') SYSTEM, THERMALLY BROKEN, FIXED UNIT.

NOTE: REFER TO WALL SECTIONS FOR TYPICAL EXTERIOR WALL CONSTRUCTION NOTATION.

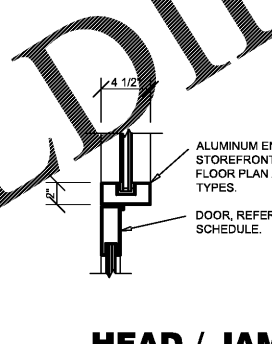


3 HEAD DETAIL

A5.2 SCALE: 1 1/2" = 1'-0"

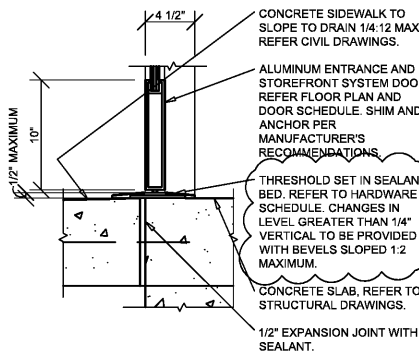
B2 ALUMINUM STOREFRONT FRAMING (2' X 4 1/2') SYSTEM, THERMALLY BROKEN, FIXED UNIT.

NOTE: REFER TO WALL SECTIONS FOR TYPICAL EXTERIOR WALL CONSTRUCTION NOTATION.



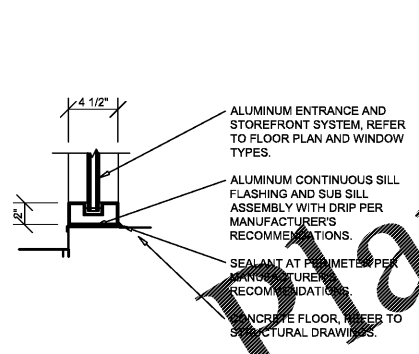
4 HEAD / JAMB DETAIL

A5.2 SCALE: 1 1/2" = 1'-0"



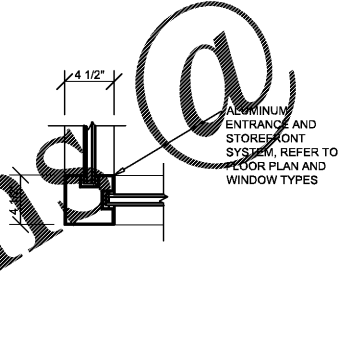
5 SILL DETAIL

A5.2 SCALE: 1 1/2" = 1'-0"



6 SILL DETAIL

A5.2 SCALE: 1 1/2" = 1'-0"



7 JAMB DETAIL

A5.2 SCALE: 1 1/2" = 1'-0"

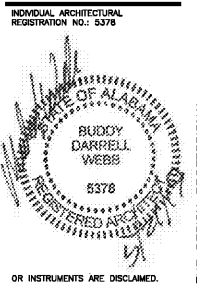
GENERAL NOTES

- (A) REFER TO PROJECT MANUAL FOR ADDITIONAL REQUIREMENTS.
- (B) REFER TO BUILDING CODE SUMMARY FOR PROJECT STRUCTURAL DESIGN CRITERIA. WINDOW FRAMING AND ANCHORING SYSTEMS SHALL BE DESIGNED BY MANUFACTURER TO CONFORM TO PERFORMANCE AND TESTING REQUIREMENTS SPECIFIED.
- (C) REFER TO FLOOR PLAN, ELEVATIONS, AND SECTIONS FOR ADDITIONAL REQUIREMENTS.
- (D) WINDOW TYPE ELEVATIONS SHOWN VIEWED FROM EXTERIOR SIDE.
- (E) REFER TO EXTERIOR FINISH SCHEDULES FOR ALUMINUM WINDOW FRAMING COLORS. PERIMETER SEALANT COLOR TO MATCH WINDOW FRAMING COLOR UNLESS OTHERWISE INDICATED.
- (F) ALL DIMENSIONS TO FINISH FACE OF FRAMING UNLESS OTHERWISE INDICATED. PROVIDE FINAL ROUGH OPENINGS PRIOR TO FABRICATION.
- (G) REFER TO WINDOW AND HARDWARE SCHEDULES FOR ADDITIONAL REQUIREMENTS.
- (H) SECURITY SHUTTERS MAY BE REQUIRED. CONTACT PROJECT ADMINISTRATOR FOR VERIFICATION. REFER TO SCOPE OF WORK SCHEDULE FOR ADDITIONAL SUPPORT FRAMING SYSTEM AS REQUIRED.
- (I) WHEN WIND SPEED IS EQUAL TO OR GREATER THAN 120 MPH, A STORM PANEL SYSTEM SHALL BE OWNER FURNISHED AND INSTALLED. CONTACT PROJECT ADMINISTRATOR TO VERIFY AND COORDINATE WITH SYSTEM PROVIDED BY OTHERS. REFER TO SCOPE OF WORK SCHEDULE FOR ADDITIONAL SUPPORT FRAMING SYSTEM AS REQUIRED.
- (J) CONTRACTOR'S OPTION TO DIRECT ORDER AND PURCHASE WINDOW FRAMING SYSTEM AND GLAZING FROM THE FOLLOWING SUPPLIER REFER TO SCOPE OF WORK SCHEDULE:

COULTER & COMPANY
13711 E. 86TH ST. N.
OWASSO, OK 74055
PHONE: (918) 272-4494
FAX: (918) 272-7908
EMAIL: carl@coulterglass.com
CONTACT: Carl Yorman

GLAZING SCHEDULE

- 1 1" INSULATED SAFETY GLAZING (1/4" PPG 'SOLEXIA' EXTERIOR PANE / 1/4" CLEAR INTERIOR PANE) SHADING COEFFICIENT 0.57



O'Reilly AUTO PARTS
CORPORATE OFFICES
233 SOUTH PATTERSON
SPRINGFIELD, MISSOURI 65802
(417) 862-2674 TELEPHONE

PROJECT:
NEW O'REILLY AUTO PARTS STORE
U.S. HWY 84 & N. BROADWAY
ASHFORD, AL

WINDOW SCHEDULE

Buddy Webb, NCARB, AIA
Architect - Consultant
3057 EAST CAIRO
SPRINGFIELD, MISSOURI 65802
(417) 877-1365 TELEPHONE
(417) 877-8736 FAX

DRAWN BY: CG CHECKED BY: SB
DATE: 04/02/19
REVISION: 05/21/19
PROJECT NUMBER: AHF
SHEET NUMBER

A5.2

Order Plans @

© COPYRIGHT 2019 - DESIGNS, DRAWINGS AND SPECIFICATIONS ARE INSTRUMENTS OF SERVICE AND ARE THE PROPERTY OF THE DESIGN PROFESSIONAL. REPRODUCTION PROHIBITED WITHOUT THE EXPRESSED WRITTEN CONSENT OF THE DESIGN PROFESSIONAL.